

## INSTALLATION INSTRUCTION

### 3020 LED Track Luminaires

HM1-3020W

# WAC LIGHTING

Responsible Lighting®

#### WARNING

IMPORTANT: NEVER attempt any work without shutting off the electricity.

- Read all instructions before installing.
- System is intended for installation by a qualified electrician in accordance with the National Electrical Code and local regulations.
- Place the wall switch in the "OFF" position.
- Go to the main fuse box, or circuit breaker. Switch "OFF" the circuit breaker switch(es) that control the power to the fixture or room that you are working on.

#### AVERTISSEMENT

IMPORTANT : Coupez l'électricité avant TOUTE manipulation.

- Lisez toutes les instructions avant d'installer.
- Système est destiné à être installé par un électricien qualifié en conformité avec le code national de l'électricité et les règlements locaux.
- Placez l'interrupteur mural en position d'arrêt (« OFF »).
- Accédez au panneau central de disjoncteurs ou de fusibles de votre demeure et placez l'interrupteur principal en position d'arrêt (« OFF »).

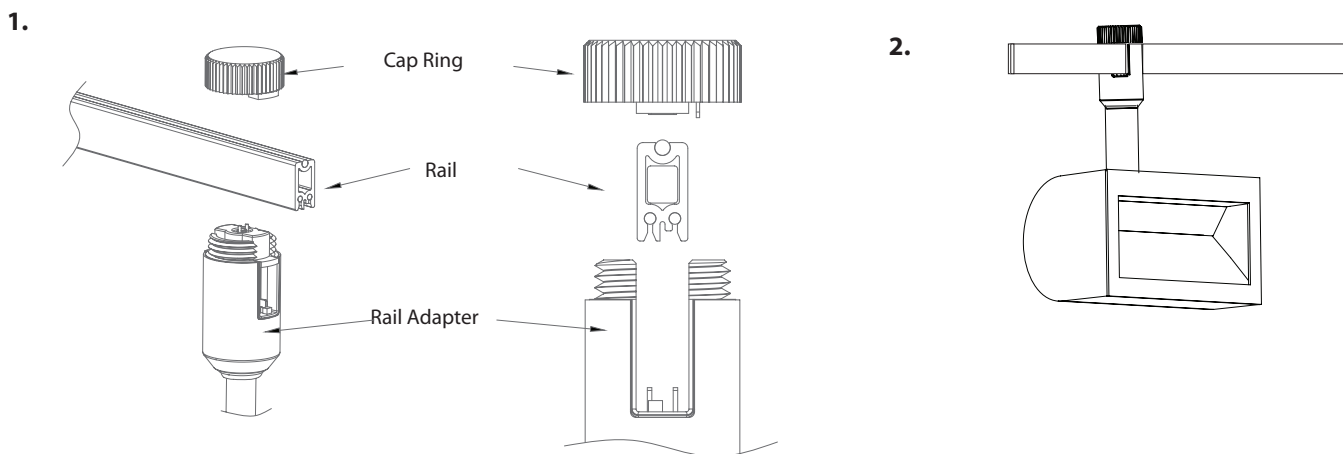
All parts must be used as indicated in these instructions. Do not substitute any parts, leave parts out, or use any parts that are worn out or broken. Failure to follow this instruction could invalidate the ETL/CETL listing of this fixture.

#### OVERVIEW:

Fixtures are designed for use on WAC Lighting's HM1-T series track system only.

#### INSTALLING ON TRACK:

1. Unscrew the cap ring from the rail adapter.
2. Align contact points of the adapter to the rail.
3. Insert the open end of the rail adapter into the rail and make sure that the contact points sit into the grooves of the rail.
4. Place the cap ring back onto the rail adapter and screw tight.
5. After the rail adapter is installed, rotate the luminaire body horizontally or vertically to aim properly.



WAC Lighting  
www.waclighting.com  
Phone (800) 526.2588 • Fax (800) 526.2585

Headquarters/Eastern Distribution Center  
44 Harbor Park Drive • Port Washington, NY 11050  
Phone (516) 515.5000 • Fax (516) 515.5050

Western Distribution Center  
1750 Archibald Ave • Ontario, CA 91761  
Phone (800) 526.2588 • Fax (800) 526.2585