

ASSEMBLY AND INSTALLATION INSTRUCTIONS

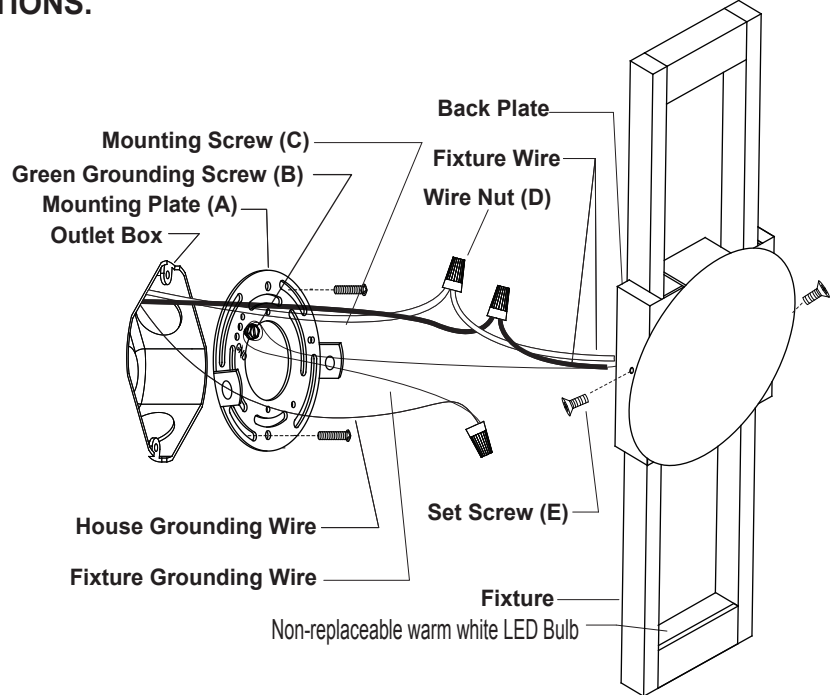
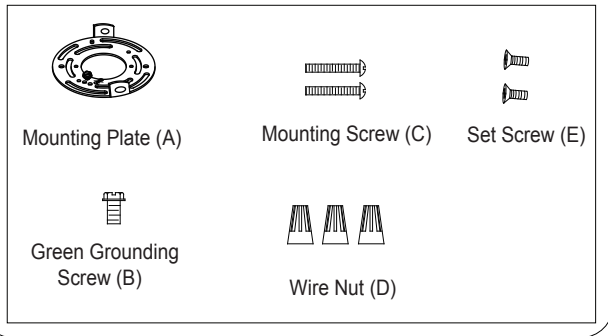
W0065

WARNING: BE SURE TO SHUT OFF POWER AT THE MAIN FUSE OR CIRCUIT BREAKER BOX BEFORE INSTALLING OR SERVICING THIS FIXTURE.

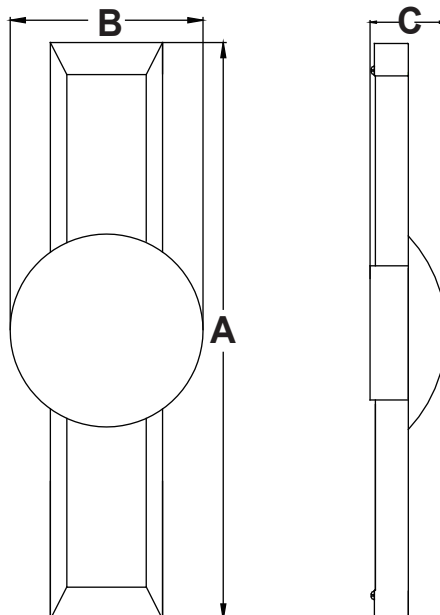
**NOTE: 1. Before installing, consult local electrical codes for wiring and grounding requirements.
2. READ AND SAVE THESE INSTRUCTIONS.**

Parts:

Parts Number (4611MM)



1. Attach the mounting plate to the outlet box by using two mounting screws.
2. Pull out the outlet wires and the house grounding wire from the outlet box. Make wire connections by using the wire nuts:
 - Connect the black (hot) wire from the fixture to the black (hot) wire from the power source.
 - Connect the white (neutral) wire from the fixture to the white (neutral) wire from the power source.
 - Attach the fixture grounding wire to the mounting plate with the green grounding screw. Then connect it to the house grounding wire with a wire nut.Carefully put the wires back into the outlet box.
3. Attach the back plate to the mounting plate by aligning holes, secure the set screw from the side hole of the back plate into the hole in the side of the mounting plate.
4. Turn on the power at the main fuse or circuit breaker box.



A: 18"

B: 6"

C: 2-3/8"

 **VAXCEL**

121219