

# Low-voltage transformers

NEW



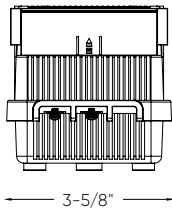
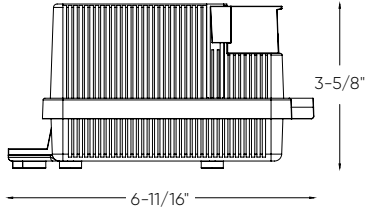
Outdoor low-voltage transformers with timer and photocell sensor, 120V AC to 12V/13V/14V/15V AC, weatherproof.



**Model**

**LTRP-60-BK**

60W low-voltage transformer



**Specifications**

Constant voltage mode power supply  
Protection: short circuit / Over voltage  
Input voltage: 120VAC 60Hz  
Output voltage: 12VAC  
Output Power: 60W  
Maximum recommended load: 80%  
Operating temperature: -30°C to 45°C  
UL certification  
5 year warranty

**Finish**

**BK** Black

**Order example**

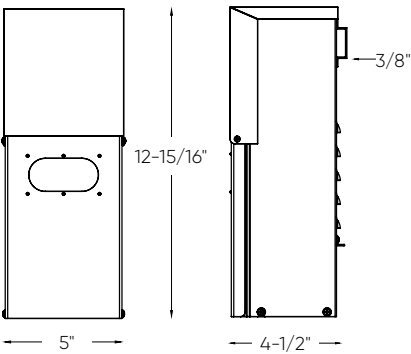
**LTRP-60-BK**

60W low-voltage transformer  
in a black finish

**Model**

**LTR-300-BK**

300W low-voltage transformer



**Specifications**

Constant voltage mode power supply  
Protection: short circuit / Over voltage  
Fully isolated metal case -  
Cooling by air convection  
Input voltage: 120VAC 60Hz  
Output Power: 300W  
Output voltage: 12, 13, 14, 15VAC  
Photocell sensor  
Maximum recommended load: 80%  
Operating temperature: -30°C to 45°C  
UL certification  
5 year warranty

**Finish**

**BK** Black

**Order example**

**LTR-300-BK**

300W low-voltage transformer  
in a black finish