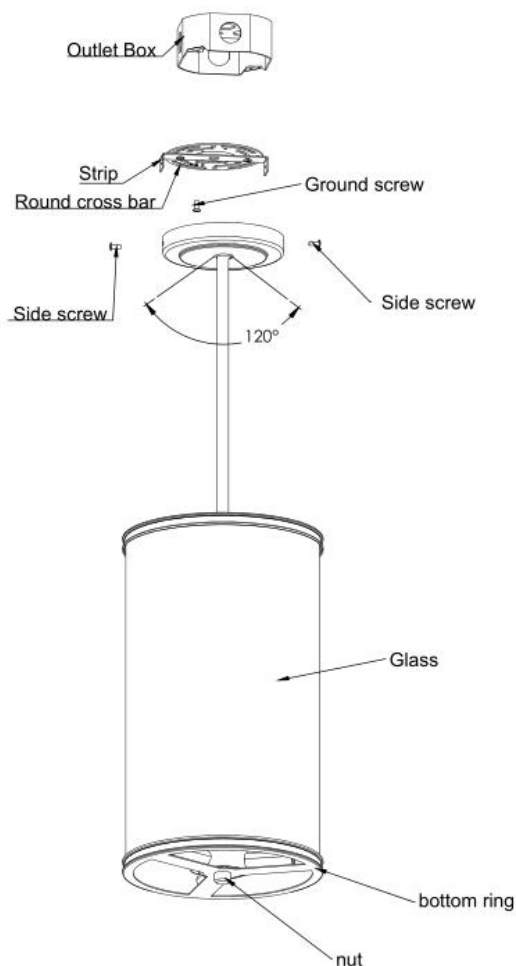




## Assembly Instructions for 1241/1243/1244

We recommend installation of this fixture be done by a licensed electrician. Turn off powder at the main fuse or circuit breaker box. **DO NOT EXCEED RECOMMENDED WATTAGE!**

**\*\* Actual parts may vary slightly depending upon them model**



1. Remove the parts carefully from the box before discarding the carton.
2. Attach round cross bar with strip to the outlet box with ground screw facing out.
3. Install bulbs (not included)
4. Determine hanging length and which stem(s) will be used together or by itself. (Note fixture comes assembled with glass). Options are 1pc 3" stem, 2pcs each of 6" and 12" stems.
5. Slip lead wire through the stems and screw the stem(s) into fixture's pipe on one and canopy on the other end.
6. Note canopy comes with 60 degrees swivel to accommodate sloped ceiling.
7. Fasten ground wire to green screw, Fasten lead wire (or white wire) with ridges to the white wire. Use wire nut to fasten it.
8. Fasten smooth (or black wire) lead wire to the black wire in the box & use nut to fasten it.
9. Place the canopy over the outlet box with holes on the canopy aligning with the strip.
10. Secure the fixture using fixture screws.
11. To replace the glass, simply remove the nut all the way at the bottom of the fixture enabling bottom ring and glass to come out.
12. Restore circuit breaker