

# INSTALLATION INSTRUCTION

## Fin - Endurance Wall Pack

WP-LED119, WP-LED127, WP-LED135

# WAC LIGHTING

Responsible Lighting®

### WARNING

IMPORTANT: NEVER attempt to do any work without shutting off the electricity.

1. Read all instructions before installing.
2. System is intended for installation by a qualified electrician in accordance with the National Electrical Code and local regulations.
3. Place the wall switch in the "OFF" position.
4. Go to the main fuse box, or circuit breaker. Unscrew the fuse(s) or switch "OFF" the circuit breaker switch(es) that control the power to the space that you are working on.

### CAUTION

- All parts must be used as indicated in these instructions. Do not substitute any parts, leave parts out, or use any parts that are worn out or broken. Failure to follow this instruction may invalidate the ETL/cETL listing of this fixture.

### AVERTISSEMENT

IMPORTANT : Coupez l'électricité avant TOUTE manipulation.

- Lisez toutes les instructions avant d'installer.
- Système est destiné à être installé par un électricien qualifié en conformité avec le code national de l'électricité et les règlements locaux.
- Placez l'interrupteur mural en position d'arrêt (« OFF »).
- Toujours mettre le fusible ou le disjoncteur en position arrêt dans la pièce ou des travaux électriques sont prévus

### MISE EN GARDE

- Toutes les pièces doivent être utilisées tel qu'il est indiqué dans ces instructions. Ne remplacez pas les pièces, n'en laissez pas de côté et ne les utilisez pas si elles sont usées ou brisées. Le non-respect de ces instructions peut annuler l'homologation ETL/cETL du luminaire.

### ADVERTENCIA

IMPORTANTE: NUNCA intente hacer trabajos sin desconectar el suministro eléctrico.

- Lea y comprenda todas las instrucciones e ilustraciones por completo antes de proceder con el ensamblaje e instalación de esta lámpara.
- Sistema está diseñado para ser instalado por un electricista calificado, de acuerdo con el código eléctrico nacional y las normas locales.
- Coloque el interruptor de la pared en la posición "OFF" (APAGADO).
- Diríjase a la caja de fusibles o a la caja del interruptor de circuito principal en su hogar. Coloque el interruptor de alimentación principal en la posición "OFF" (APAGADO).

### PRECAUCIÓN

- Todas las piezas deben usarse como lo indican estas instrucciones. No reemplace las piezas, no omita piezas durante la instalación ni utilice piezas gastadas o rotas. El incumplimiento de esta indicación podría invalidar la calificación ETL/cETL esta lámpara.

A1



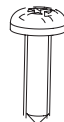
Wire connector  
Qty: 5pcs

B1



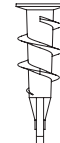
Junction box screw  
Qty: 2pcs + 1 extra

B2



Mounting screw  
Qty: 4pcs + 1 extra

C1



Mounting anchor  
Qty: 4pcs + 1 extra

### WAC Lighting

www.waclighting.com

Phone (800) 526.2588 • Fax (800) 526.2585

### Headquarters/Eastern Distribution Center

44 Harbor Park Drive • Port Washington, NY 11050

Phone (516) 515.5000 • Fax (516) 515.5050

### Western Distribution Center

1750 Archibald Ave • Ontario, CA 91761

Phone (800) 526.2588 • Fax (800) 526.2585



# INSTALLATION INSTRUCTION

## Fin - Endurance Wall Pack

WP-LED119, WP-LED127, WP-LED135

# WAC LIGHTING

Responsible Lighting®

### FOR RECESSED JUNCTION BOX

#### STEP 1:

- Remove conduit and keyhole caps as needed.
- Mount Fin junction box to recessed junction box with junction box screws (B1) loosely, then level using built-in level and tighten the screws.

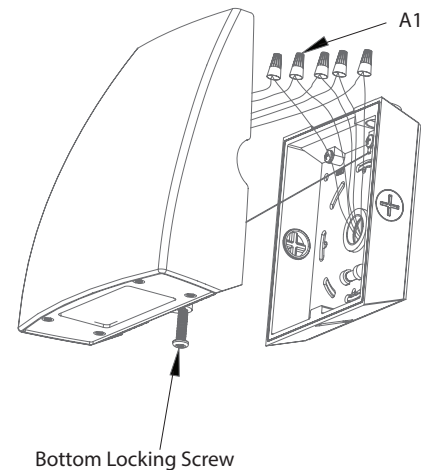
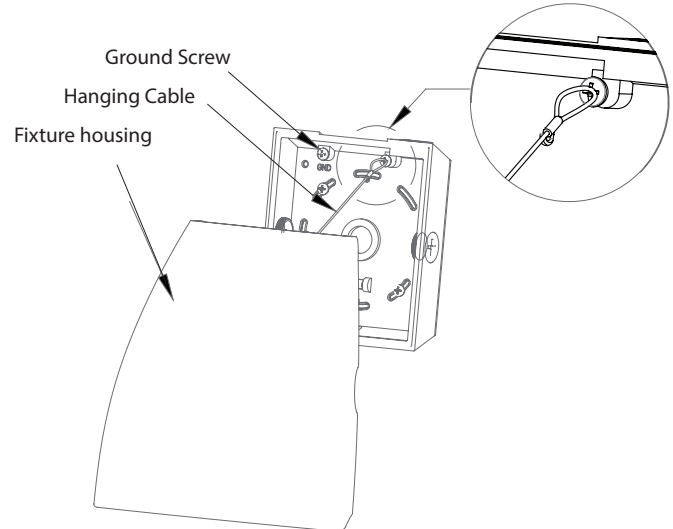
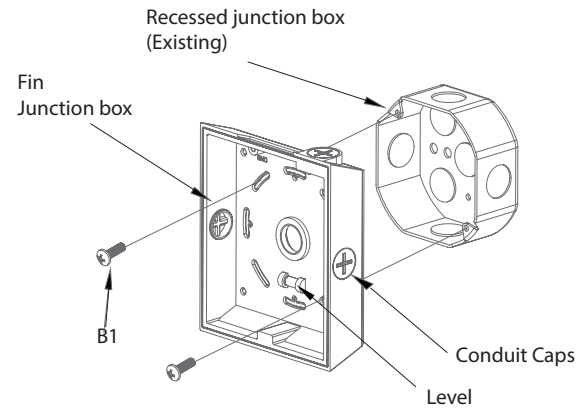
#### STEP 2:

- Hang fixture housing onto Fin junction box with hanging cable.
  - Connect the electrical wires as shown in **Fig. 1**, making sure that all wire connectors (A1) are secured.
- If your outlet box has a green or bare copper ground wire, connect the fixture's ground wire to it. Otherwise, connect the fixture's ground wire directly to the Fin junction box using the ground screw provided after other wires are connected.

Fig.1 Wiring



Fixture Wires	House Wires
Black or Smooth	Black (Hot)
White or Ribbed	White (Neutral)
Bare wire (Ground)	Green or Bare Copper (Ground)
Brown and Blue (Use with 0 - 10V dimmers)	



#### STEP 3:

- Tighten all conduit caps with thread seal tape and tuck all the wires carefully into the Fin junction box.
- Mount fixture housing onto Fin junction box and tighten bottom locking screw.

WAC Lighting  
www.waclighting.com  
Phone (800) 526.2588 • Fax (800) 526.2585

Headquarters/Eastern Distribution Center  
44 Harbor Park Drive • Port Washington, NY 11050  
Phone (516) 515.5000 • Fax (516) 515.5050

Western Distribution Center  
1750 Archibald Ave • Ontario, CA 91761  
Phone (800) 526.2588 • Fax (800) 526.2585



# INSTALLATION INSTRUCTION

## Fin - Endurance Wall Pack

WP-LED119, WP-LED127, WP-LED135

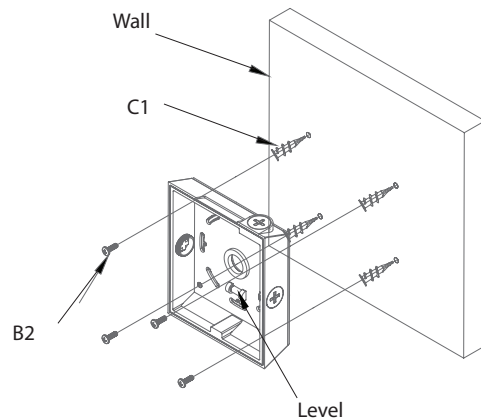
# WAC LIGHTING

Responsible Lighting®

### FOR EXPOSED JUNCTION BOX

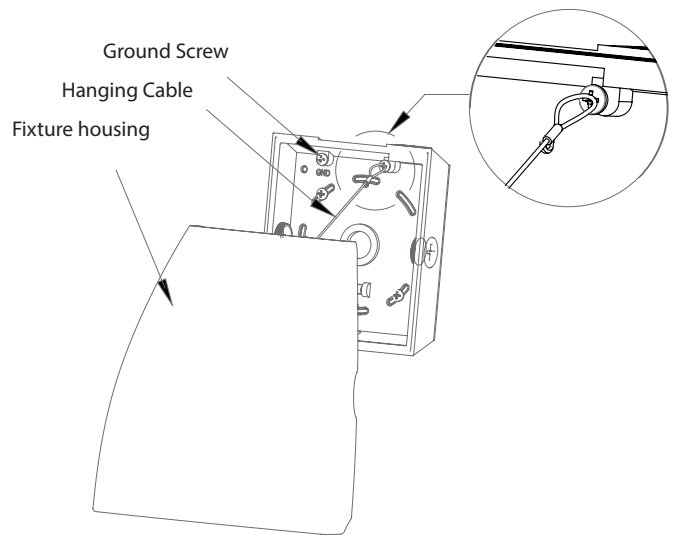
#### STEP 1:

- Remove existing exposed junction box before installation.
- Drill the holes in the proper position on the wall according to the keyholes located on the Fin junction box. Insert the mounting anchors (C1) into the wall.
- Mount Fin junction box to wall with mounting screws (B2) loosely and level using built-in level and tighten the screws.



#### STEP 2:

- Hang fixture housing onto Fin junction box with hanging cable.
- Connect the electrical wires as shown in **Fig. 1** making sure that all wire connectors (A1) are secured. If your outlet box has a green or bare copper ground wire, connect the fixture's ground wire to it. Otherwise, connect the fixture's ground wire directly to the Fin junction box using the ground screw provided after other wires are connected.

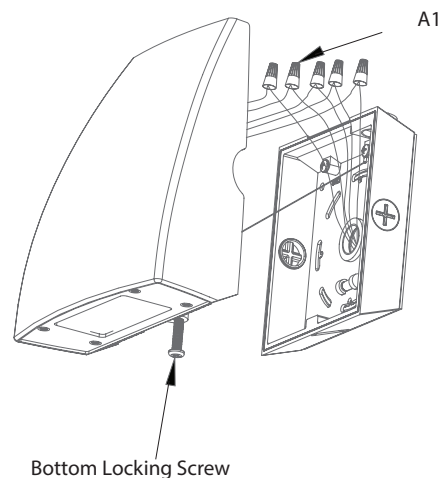


**Fig.1 Wiring**

	<b>Fixture Wires</b> Black or Smooth	<b>House Wires</b> Black (Hot)
	<b>Fixture Wires</b> White or Ribbed	<b>House Wires</b> White (Neutral)
	<b>Fixture Wires</b> Bare wire (Ground)	<b>House Wires</b> Green or Bare Copper (Ground)
<b>Fixture Wires</b> Brown and Blue (Use with 0 - 10V dimmers)		

#### STEP 3:

- Tighten all conduit caps with electrical tape and tuck all the wires carefully into the Fin junction box.
- Mount fixture housing onto Fin junction box and tighten bottom locking screw.



WAC Lighting

www.waclighting.com

Phone (800) 526.2588 • Fax (800) 526.2585

Headquarters/Eastern Distribution Center

44 Harbor Park Drive • Port Washington, NY 11050

Phone (516) 515.5000 • Fax (516) 515.5050

Western Distribution Center

1750 Archibald Ave • Ontario, CA 91761

Phone (800) 526.2588 • Fax (800) 526.2585



# INSTALLATION INSTRUCTION

## Fin - Endurance Wall Pack

WP-LED119, WP-LED127, WP-LED135

# WAC LIGHTING

Responsible Lighting®

### COMPLETING THE INSTALLATION:

To prevent moisture from entering the outlet box and causing a short, use caulking (i.e. silicone sealant) to outline the outside of junction box where it meets the wall while leaving the bottom side unsealed to allow moisture to escape.

**Note:** Fin is suitable for wet location installations in all mounting orientations.

BRAND	MODEL NUMBER	TYPE
Lutron	Diva DVELV-300P	ELV 120V
Lutron	SkyLark SELV-300P	ELV 120V
Lutron	RRD-6NA (RadioRA/RadioRA2)	ELV 120V
Lutron	PHPM-PA-DV/120 (Grafik-Eye, HomeWorks)	ELV 120V
Leviton	Vizia VPE06	ELV 120V
Lutron	Diva DVTV, DVSTV	0-10V
Lutron	Nova NVTV, NVSTV	0-10V
Leviton	Renoir II AWSMT-7DW	0-10V

Please visit our website or contact a WAC Lighting professional for a complete list of compatible dimmers and sensors.

#### WAC Lighting

www.waclighting.com

Phone (800) 526.2588 • Fax (800) 526.2585

#### Headquarters/Eastern Distribution Center

44 Harbor Park Drive • Port Washington, NY 11050

Phone (516) 515.5000 • Fax (516) 515.5050

#### Western Distribution Center

1750 Archibald Ave • Ontario, CA 91761

Phone (800) 526.2588 • Fax (800) 526.2585

