

TRIMLESS REMODEL HOUSING

4.5" Volta

WAC LIGHTING

Responsible Lighting®

SPECIFICATIONS

- Input:** Universal 120 - 277V AC 50/60 Hz
- Standards:** ETL & cETL
- Dimming:** Electronic Low Voltage (ELV): 100%-5%
0-10V: 100%-0%
- Mounting:** Ceiling thickness: ½- 1"
Ceiling cut out (Round): Ø 5 ⅛"
Ceiling cut out (Square): 5 ⅛" x 5 ⅛"
- Construction:** 20 Gauge cold rolled steel
Die-cast spackle flange included
- Warranty** 5 year WAC Lighting product warranty

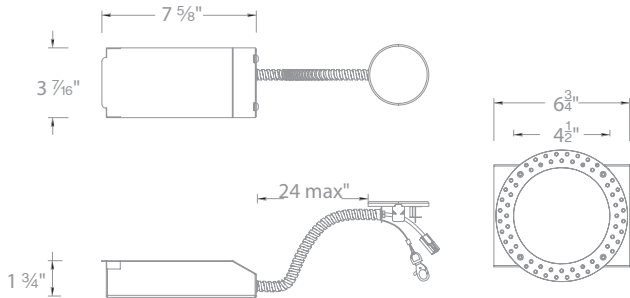
Fixture Type:

Catalog Number:

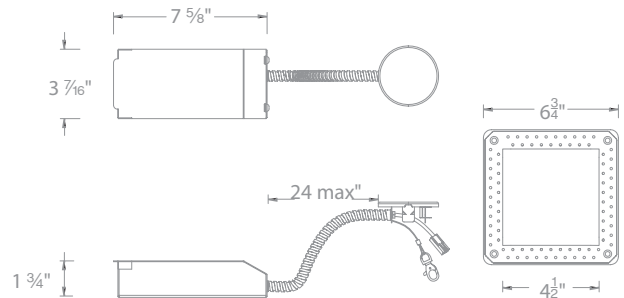
Project: _____

Location: _____

Round Remodel

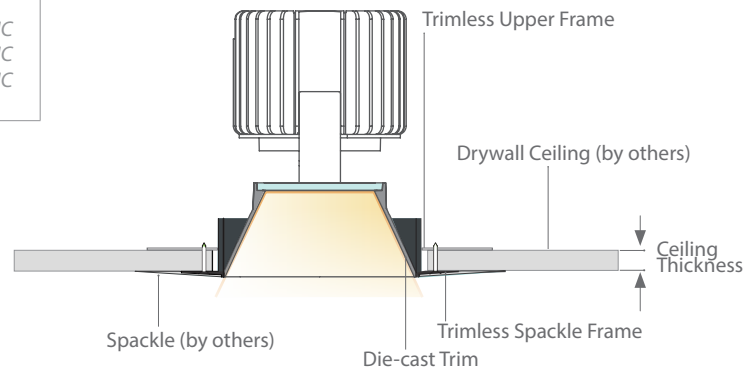


Square Remodel



HOUSING (Required)	Model	Trim Type	Power
Remodel Non-IC	R4RR	L Trimless	15 15W Non-IC
	Round		25 23W Non-IC
	R4SR		36 34W Non-IC
	Square		

R4 _____ **L-** _____
Example: **R4RRL-15**



waclighting.com
Phone (800) 526.2588
Fax (800) 526.2585

Headquarters/Eastern Distribution Center
44 Harbor Park Drive
Port Washington, NY 11050

Central Distribution Center
1600 Distribution Ct
Lithia Springs, GA 30122

Western Distribution Center
1750 Archibald Avenue
Ontario, CA 91760