



CAL LIGHTING

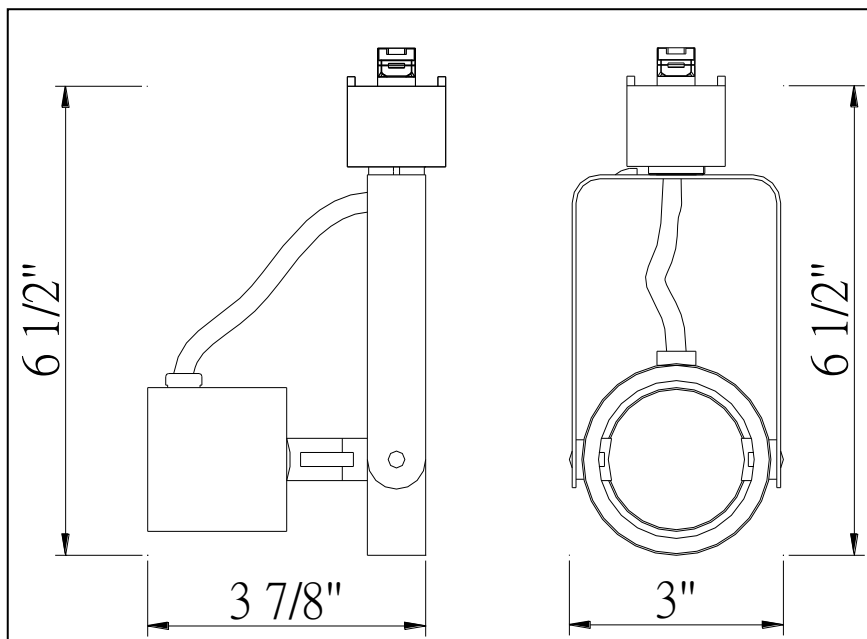
3625 E. Philadelphia St. Ontario CA. 91761 • Tel: 909.947.5200 • Fax:
909.947.5673 • www.calighting.com • service@calighting.com •
Specifications subject to change without notice

Type: _____

Project: _____

Catalog No.: _____

Lamp/Wattage: _____



Model No. : HT-201

Rotation : 355 degree

Capability : ± 30 degree from horizontal

Bulb : PAR20 (halogen) or R20 (incandescent)

Socket : Medium base

Voltage : 120V

Wattage : 50W Max.

Finish : BS (brushed steel)

Certificate :  c  us