

LIVING DISTRICT

Collection: Merritt

Installation manual for:

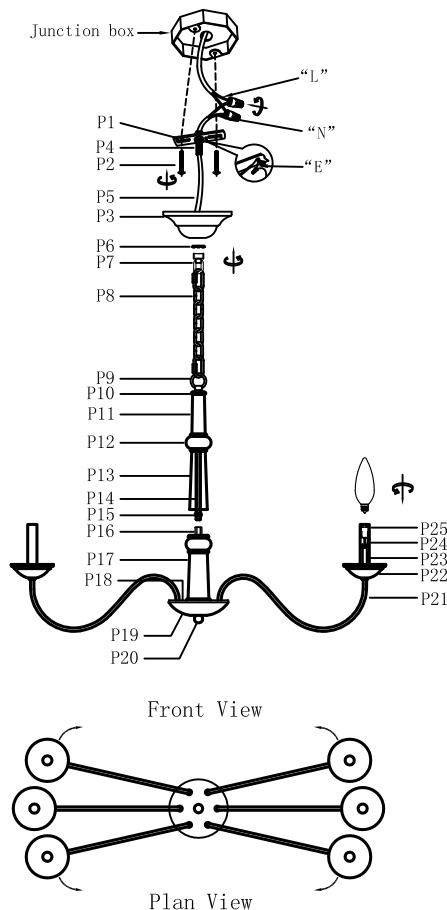
LD6007D40 D39.8"H24" L6

Installation instructions:

1. Black wire from ceiling(junction box) attaches to "L" wire from the fixture.
2. White wire from ceiling(junction box) attaches to "N" wire from the fixture.
3. "E" wire from the fixture is attached to the mounting bracket and an additional "E" wire from the mounting bracket must be secured to the junction box.
4. Secure mounting bracket to the junction box.
5. Insert screws (P2) in side of top unit the mounting bracket.
6. Put the lamp arm(P21) to the corresponding position.
7. Screw the middle rod (P11,13)to the lamp body then connect to the chain(P8) and connect the canopy lock(P7)ghten.
8. Put the canopy(P3) on the nipple(P4) and connect the canopy lock(P7), then use the canopy ring(P6) to screw tighten.
9. Install E12 light source, no include bulb.

PARTS LIST

The end!



part	picture	Description	Qty	Check list
P1		14" Mounting bracket	1	
P2		5/32-32 Screw	2	
P3		D5.1" Canopy plat	1	
P4		Nipple	1	
P5		Power Cord 8.3', 18AWG, SPT-1 Clear/Gold/Black	1	
P6		Canopy ring	1	
P7		Canopy lock	1	
P8		L5' CHAIN04P Plain Design	1	
P9		D1.5" Loop	1	
P10		Check ring	6	
P11		D1.26"*L5.3" Cone tube	1	
P12		D2.36" Ellipsoid	2	
P13		D1.65"*L6.5" Cone tube	1	
P14		Nipple	1	
P15		Hex nut	14	
P16		Hickey	3	
P17		D1.97"*L5.9" Cone tube	1	
P18		D5.5" Around metal plate	1	
P19		D5.6" Receiver bowl	1	
P20		Cap nut	1	
P21		W4.9"*L16" Arm	6	
P22		D4"*H1.3" Receiver bowl	6	
P23		Nipple	6	
P24		E12 Socket	6	
P25		D0.87"*L5.7" Candle cover	6	

"L" = Hot wire
 "N" = Neutral wire
 "E" = Ground wire