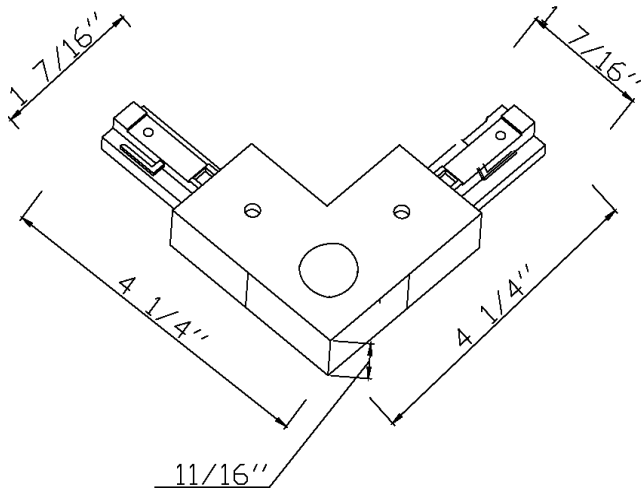


# TKALC-MW

Elitco Lighting



## L-Connector for Track Section MW



### PRODUCT DESCRIPTION

L-Connector for Track Section MW: Used to connect two pieces of track together in a right angle and carry the electricity. Can be used as a power feed with one knockout. Can be adjusted to accommodate left and right polarity. Includes "I" Connector cover to convert into straight connector.

**DIAMETER:**  $4 \frac{1}{4}'' \times 4 \frac{1}{4}'' \times 11/16''$

**FINISHES:** Matte White