

WARNING: DISCONNECT POWER AT THE MAIN FUSE BOX BEFORE INSTALLATION.

WARNING:

This fixture is intended for installation in accordance with the National Electrical Code (NEC) and all local code specifications. If you are not familiar with code requirements, installation by a certified electrician is recommended.

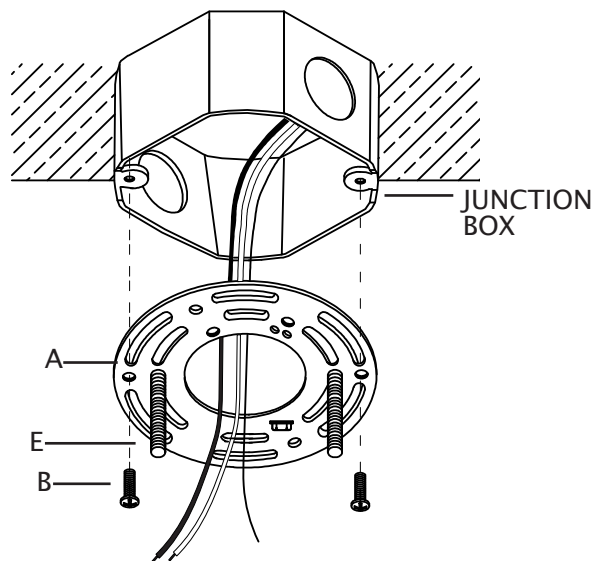
Before assembly, remove all parts and part packages from box. If anything is missing, please contact the retailer from which the product was purchased.



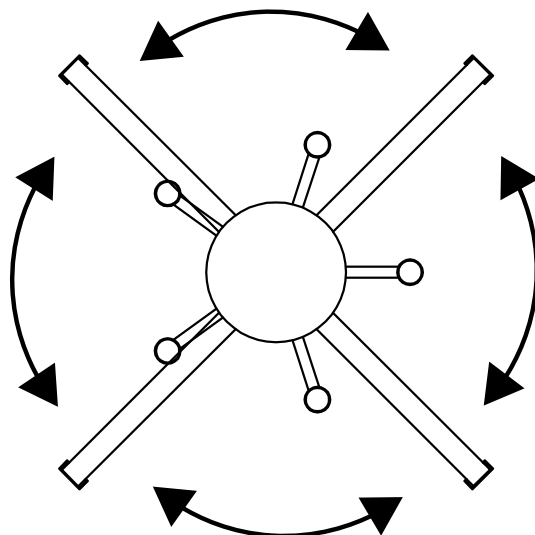
ANY QUESTIONS CALL: 800-613-3261
M-F 8:00AM-6:00PM ET

ITEM#: 15457/5

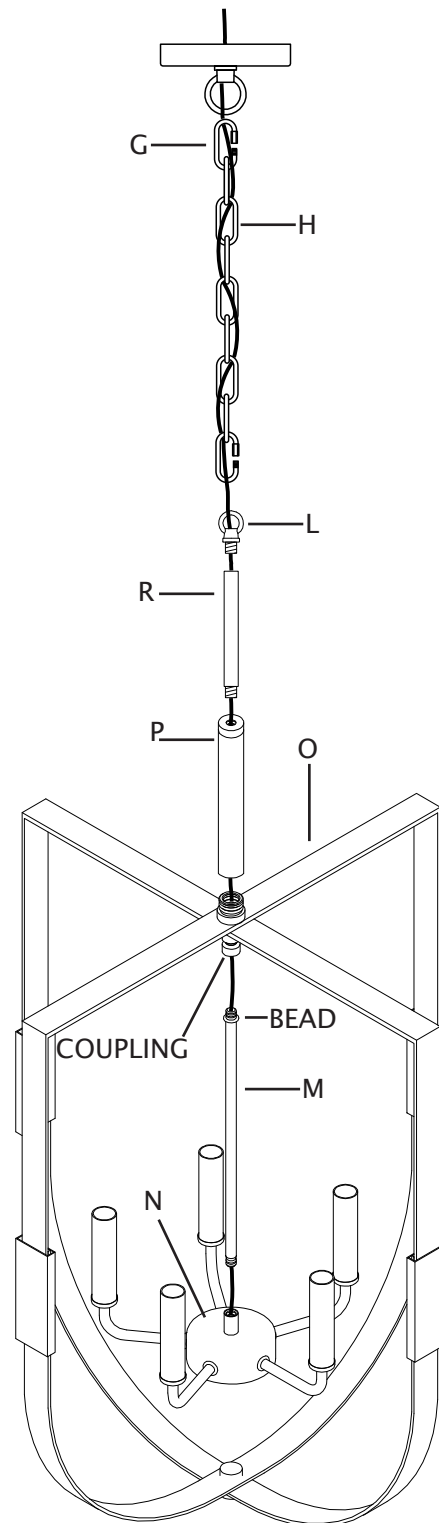
1. Carefully pull house wires out of junction box so they are easily accessible during installation.
2. Position mounting bracket (A) so threaded ends of attached fixture mounting screws (E) are facing down towards floor.
3. Carefully pull house wires through center hole in mounting bracket (A). Align small holes in mounting bracket (A) with holes in junction box.
4. Thread each junction box screw (B) into holes in mounting bracket (A) and into holes in junction box. Tighten junction box screws (B) to secure mounting bracket (A) to junction box.
CAUTION: Make sure house wires are pulled completely through hole in mounting bracket.
DO NOT pinch wires between mounting bracket and ceiling.



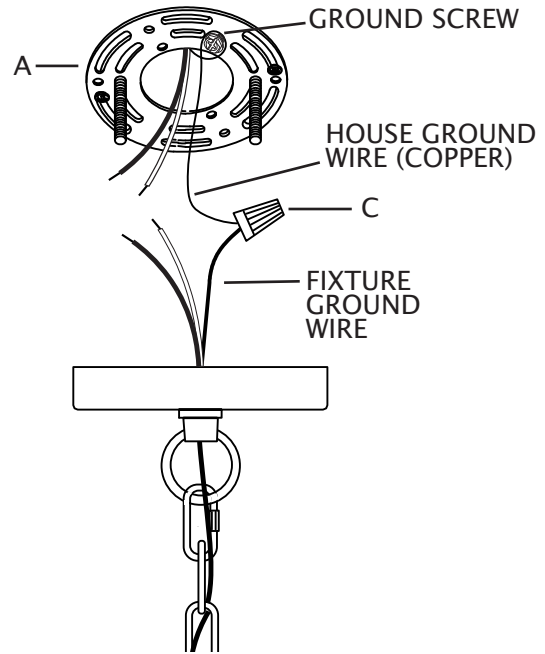
5. Rotate arms of fixture until arms are perpendicular to each other.



6. Hold center stem (M) so bead on end of center stem (M) is at the top.
7. Carefully push fixture wires from top of socket cluster (N) up through hole in bottom of center stem (M). Pull fixture wires up from top of center stem (M). Carefully pull fixture wires taut.
8. Thread bottom of center stem (M) onto top of socket cluster (N). **CAUTION: DO NOT** pinch fixture wires between socket cluster (N) and end of center stem (M).
9. Push fixture wires from top of center stem (M) up through coupling on underside of top of fixture body (O). Carefully pull fixture wires out of threaded coupling on top of fixture body (O).
10. Carefully pull fixture wires taut. Screw top of center stem (M) into coupling on underside of fixture body (O). **CAUTION: DO NOT** pinch fixture wires between center stem (M) and coupling.
11. Push fixture wires from top of fixture body (O) up through bottom of center tube (P). Pull fixture wires up from top of center tube (P). Carefully pull fixture wires taut.
12. Thread bottom of center tube (P) onto top of threaded coupling on top of fixture body (O). **CAUTION: DO NOT** pinch fixture wires between center tube (P) and top of fixture body (O).
13. Hold stem (R) so threaded end is at the bottom. Carefully push fixture wires from top of center tube (P) up through bottom of stem (R). Pull fixture wires out of top of stem (R). Pull fixture wires taut.
14. Screw bottom of stem (R) into top of center tube (P). **CAUTION: DO NOT** pinch fixture wires between stem (R) and center tube (P).
15. Push fixture wires from top of stem (R) up through bottom of small loop (L). Pull fixture wires out of top of small loop (L). Pull fixture wires taut.
16. Screw small loop (L) into top of stem (R). **CAUTION: DO NOT** pinch fixture wires between small loop (L) and stem (R).
17. Attach locking link (G) to small loop (L).
18. Determine desired hanging height of fixture. Cut chain (H) to length to achieve desired height.
19. Slip one chain link at end of chain (H) over locking link (G) on loop (L).
20. Weave fixture wires through chain links, skipping every other chain link.
21. Push fixture wires up through hole in center of canopy (D). Carefully pull fixture wires taut.
22. Attach second locking link (G) to chain link at end of chain (H) and loop on canopy (D).



- 23. Strip 3/4" of insulation from ends of fixture wires.
- 24. Slightly loosen ground screw on mounting bracket (A). Do not completely remove ground screw. Wrap house ground wire (copper) around ground screw, leaving enough ground wire to attach to fixture ground wire. Twist end of fixture ground wire and end of house ground wire (copper) together. Twist wire nut (C) onto ends of wires. Completely tighten wire nut (C). Reference chart below for correct wire connections.

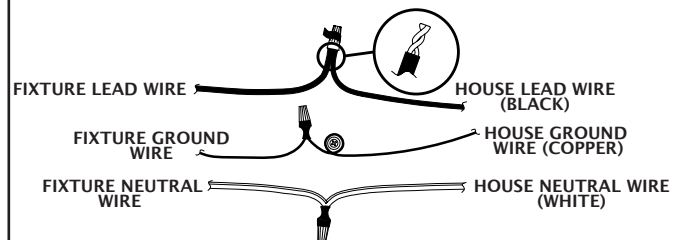


Connect Supply (House) Ground Copper Wire to:
Bare Copper Wire or,
Bare Silver Wire or,
Green Insulated Wire.

- 25. Twist end of house lead wire (black) and end of fixture lead wire together. Twist wire nut (C) onto ends of wires. Completely tighten wire nut (C). Twist end of house neutral wire (white) and end of fixture neutral wire together. Twist wire nut (C) onto ends of wires. Completely tighten wire nut (C). Reference chart to the right for correct wire connections.
- 26. Wrap electrical tape (not included) around wire nuts (C) and wires. Ensure wires are securely fastened into wire nuts.
- 27. Carefully push all wires and wire nuts into junction box.

Connect Black Lead Supply (House) Wire to:	Connect White Neutral Supply (House) Wire to:
Black Wire or,	White Wire or,
*Parallel Cord (Round and Smooth) or,	*Parallel Cord (Square and Ridged) or,
No printed words on wire insulation or,	Printed words on wire insulation or,
Insulated Wire (other than green) with Copper Conductor.	Insulated Wire (other than green) with Silver Conductor.

*When parallel wire (SPT 1 & SPT 2) is used:
The lead wire is round in shape or smooth.
The neutral wire is square in shape or ridged.



28. Carefully raise fixture up to ceiling. Place canopy (D) over mounting bracket (A). Pass holes in canopy (D) over ends of fixture mounting screws (E).
29. Screw one threaded cap (F) onto end of each fixture mounting screw (E). Tighten threaded caps (F) to secure fixture to ceiling. DO NOT over tighten.
30. Screw recommended bulbs (E12 candelabra bulb type, not included) into sockets. Verify correct bulb wattage marked on socket of fixture.
WARNING: DO NOT exceed maximum bulb wattage.

