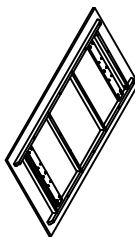

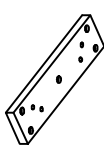

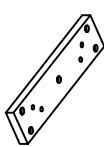
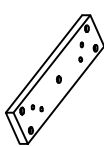
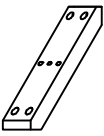
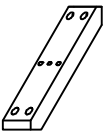


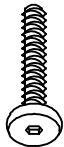
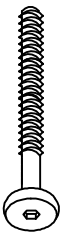
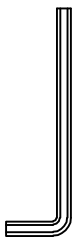
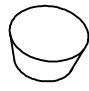
ASSEMBLY INSTRUCTION

DESCRIPTION: FLORENCE TABLE
DIMENSION: W2000 x D1000 x H750 mm

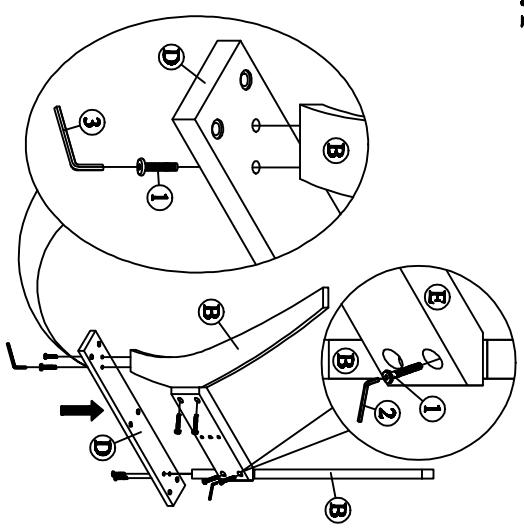
LIST OF PARTS

A		B	
TABLE TOP	01 PC	D	
C		D	
TABLE TOP	01 PC	D	
E		E	
CROSSBAR	01 PC	PALETTE UNDEREATH	02 PCS
SIDE STRETCHER	02 PCS		

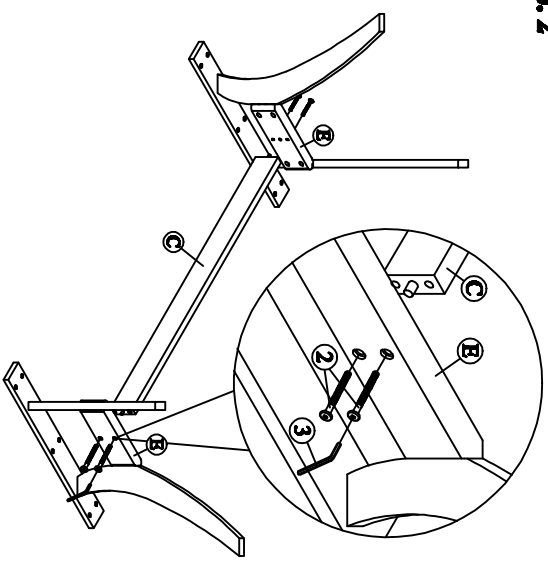
LIST OF HARDWARE

1. Short bolt		2. Long bolt	
M6*35 mm	20 PCS	M6*40 mm	04 PCS
3. Allen Key		4. Wood plug	
M4	01 PC	014*10 mm	04 PCS

Step. 1



Step. 2



Step. 3

