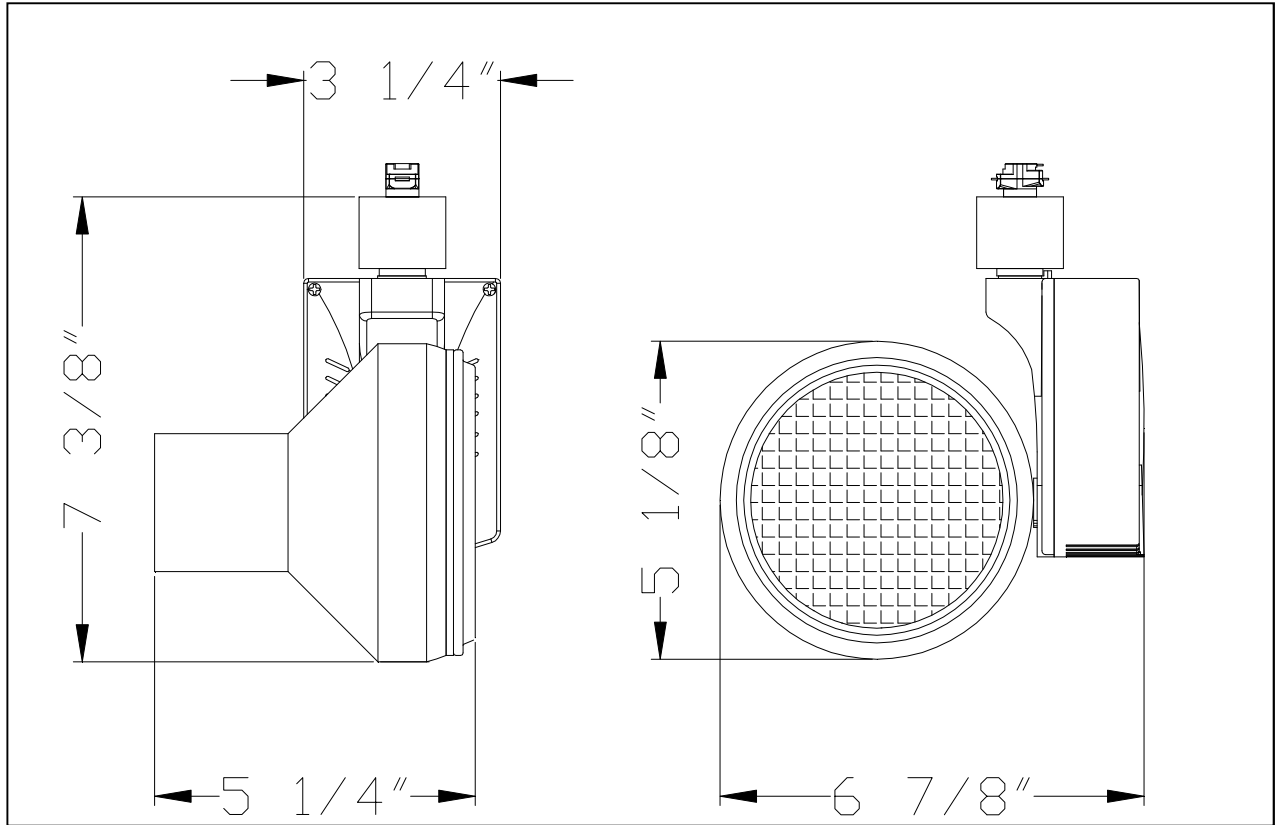




# CAL LIGHTING

3625 E. Philadelphia St. Ontario CA. 91761 • Tel: 909.947.5200 • Fax:  
909.947.5673 • www.calighting.com • service@calighting.com •  
Specifications subject to change without notice

Type: \_\_\_\_\_  
Project: \_\_\_\_\_  
Catalog No.: \_\_\_\_\_  
Lamp/Wattage: \_\_\_\_\_



**Model No. :** HT-960/70W

**Rotation :** 355 degree

**Capability :** + 90 degree from horizontal



**Bulb :** HID T4 70W

**Socket :** T4

**Voltage :** 120V

**Wattage :** 70W Max.

**Finish :** BK (black), PWH

**Certificate :**  c  us