

# TOB2141

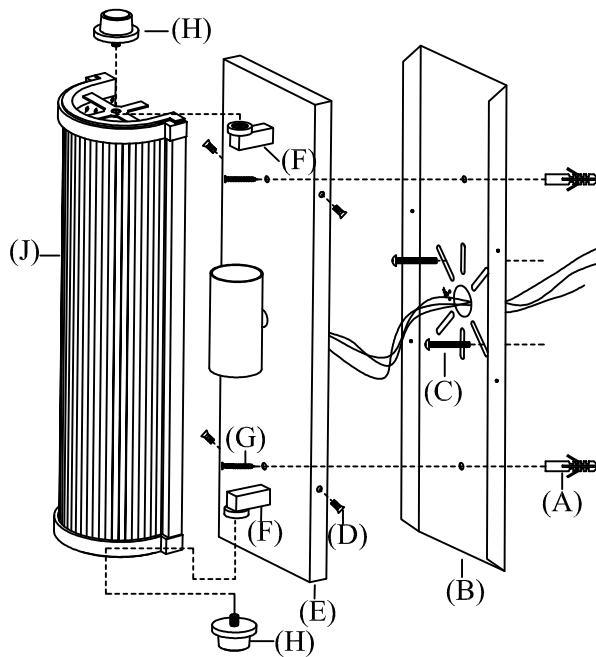
## ASSEMBLY & INSTALLATION GUIDE

**WE RECOMMEND INSTALLATION OF THIS LIGHTING FIXTURE BE DONE BY A LICENSED ELECTRICIAN.**

**WARNING \*\*\* SWITCH OFF THE MAIN ELECTRICAL SUPPLY FROM THE MAIN FUSE BOX/CIRCUIT BREAKER BEFORE INSTALLATION.**

**INSPECT ITEM CAREFULLY BEFORE ATTEMPTING TO INSTALL. IF THERE IS ANY DAMAGE OR OBVIOUS DEFECT, DO NOT INSTALL.**

**ITEM MAY NOT BE RETURNED ONCE IT HAS BEEN INSTALLED.**



1. Remove mounting plate (B) from fixture base (E) by removing base screws (D).
2. Place mounting plate (B) on the wall outlet box, use it as a template, mark center points for four mounting holes on the mounting plate (B). Remove mounting plate (B).
3. Drill small holes on the marked location, the holes should be big enough to accommodate with plastic anchors (A). Push plastic anchors (A) into the holes.
4. Attach fixture grounding (green) and house grounding wire with to back plate the green screw. Connect fixture to corresponding house wire with a wire nut. Carefully tuck the wires back into the outlet box. IT IS IMPERATIVE THAT THE OUTLET BOX IN YOUR HOME BE PROPERLY GROUNDED.
5. Connect neutral (white) fixture wire coming from fixture base to neutral (usually white) outlet wire. Fasten both wires together with a plastic wire connector and tightly wrap the wire connector with electrical tape.
6. Repeat the procedure with the hot (black) wires. Always make sure that no wire strands are left outside the connectors. DO NOT REVERSE THE HOT AND NEUTRAL CONNECTIONS OTHERWISE SAFETY WILL BE COMPROMISED.
7. Affix mounting plate (B) to wall outlet box, inserting mounting screws (C) and screws (G) to secure
8. mounting plate (B) to wall.
9. Attach fixture base (E) to affixed mounting plate (B) and tighten by inserting base screws (D).
10. Insert light bulb into socket.
11. Remove end caps (H) from shade holders (F), attach glass shade (J) to fixture base (E) by aligning the holes on shade holders (F), replace end caps (H) to secure the glass shade to the fixture.