

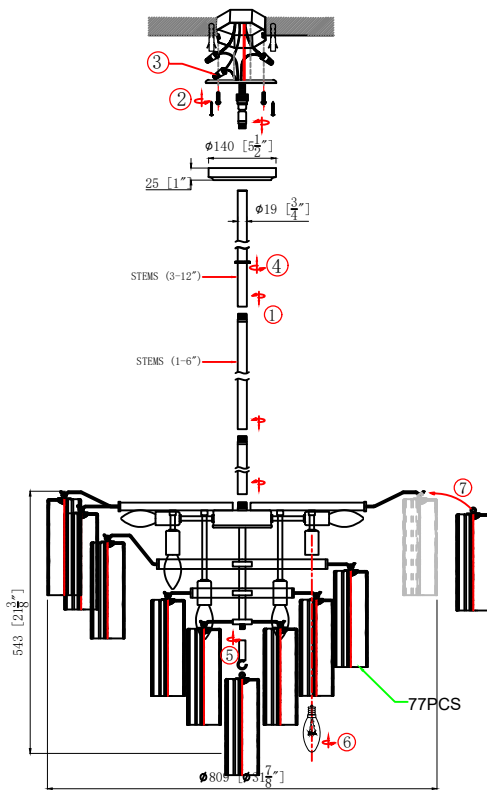
CRYSTORAMA

LIGHTING THE WAY FOR SIXTY YEARS



Crystorama.com

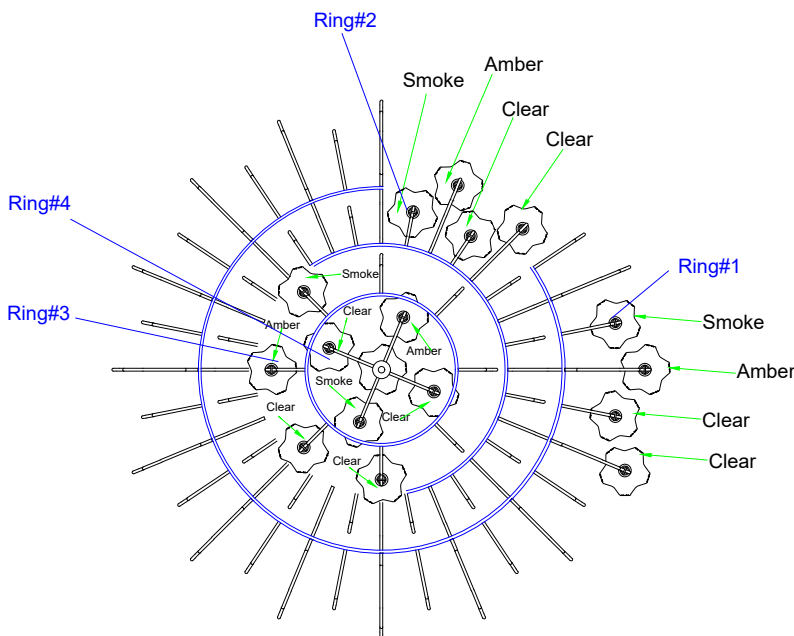
ASSEMBLY INSTRUCTION MODEL ADD-316-AG-AU



All electrical components must be installed by a licensed electrician in accordance with the National Electric Code and the appropriate local electrical codes.



You will need 16 Candelabra Base Bulb 40 Watts Recommended 60 Watts Max. USE LED BULBS FOR EXTENDED USE (This fixture is Dry rated)



Glass Installation Steps

1. Dress the center hook with a Clear glass.
2. Dress ring #4, clockwise, in order of: (1) Smoke Glass, (1) Clear Glass, (1) Amber Glass and (1) Clear Glass
3. Dress ring #3, clockwise, in order of: (1) Amber Glass, (1) Smoke Glass and (2) Clear glass. Repeat until ring is fully dressed.
4. Dress ring #2 then ring #1, clockwise, in order of: (1) Smoke Glass, (1) Amber Glass and (2) Clear glass. Repeat until ring is fully dressed.

How to Install

1. Decide the preferred hanging height and choose the correct length of rods needed.
2. Feed the wires and safety cable through the rods, screw collar loop and canopy. Screw the rods together. Screw one end of the rod assembly onto the swivel on the mounting strap.
3. Place the mounting strap over the outlet box and mark two points on the ceiling with same distance as between the two holes on the mounting strap.
4. Drill the holes at the marked points and insert the plastic anchors into the holes.
5. **Screw the bottom short stem onto the frame.**
6. Raise the fixture up to the ceiling and wrap the safety cable around the mounting strap and secure with the locking device. When the wire connections are made, slip the canopy up along the rods and over the mounting strap. Secure with the screw collar ring.
7. Install the bulb into the socket.
8. Dress the glass as illustrated.

Glass Sets

1. 39pcs Clear glass 2 3/4x7 3/4"
2. 19pcs Amber glass 2 3/4x7 3/4"
3. 19pcs Smoke glass 2 3/4x7 3/4"

WARNING: This product can expose you to Lead, which is known to the State of California to cause cancer and/or birth defects or reproductive harm. For more information go to www.P65Warnings.ca.gov

CRYSTORAMA

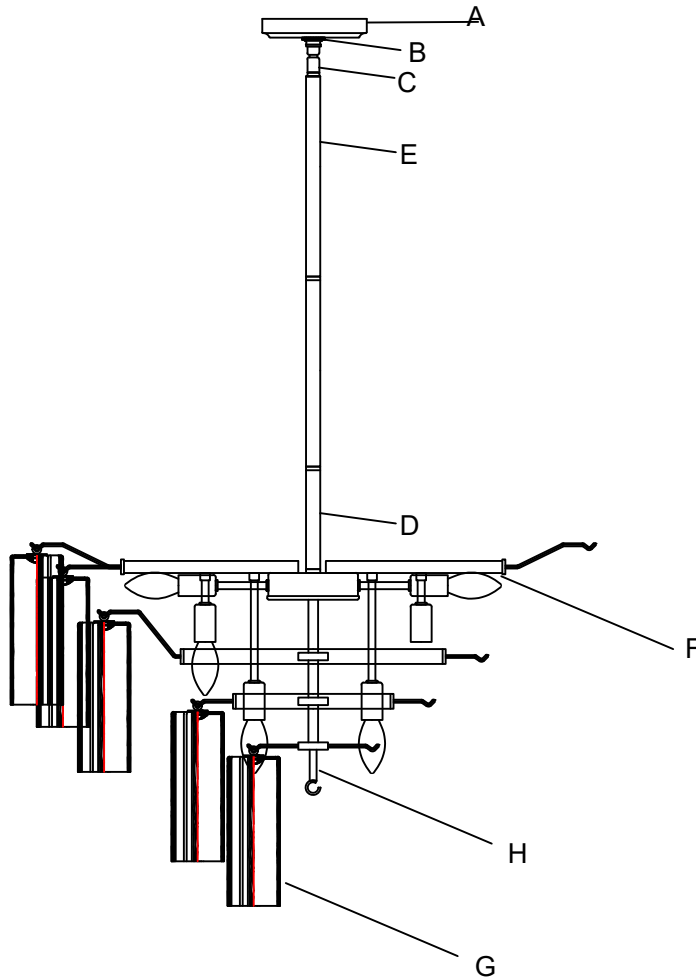
LIGHTING THE WAY FOR SIXTY YEARS



Crystorama.com

PART NUMBER MODEL **ADD-316-AG-AU**

Part Number



Part Numbers

- A. (1)-Canopy D 5 1/2xH1"
(XBN312AGCAN5.5IN)
- B. (1)-Collar ring
- C. (1)-Swivel
- D. (1)-6"Rod
(XBN300AGROD6IN)
- E. (3)-12"Rods
(XBN300AGROD12IN)
- F. (1)-Frame
- G. (39)-Clear glass,D2 3/4xH7 3/4"
(XBN300AGCLGLA7.75IN)
(19)-Amber glass, D2 3/4xH7 3/4"
(XBN300AGAMGLA7.75IN)
(19)-Smoke glass, D2 3/4xH7 3/4"
(XBN300AGSMGLA7.75IN)
- H.Short stem T0.075x D1/2xL1 1/2"
(XBN312AGSTEM1.5IN)