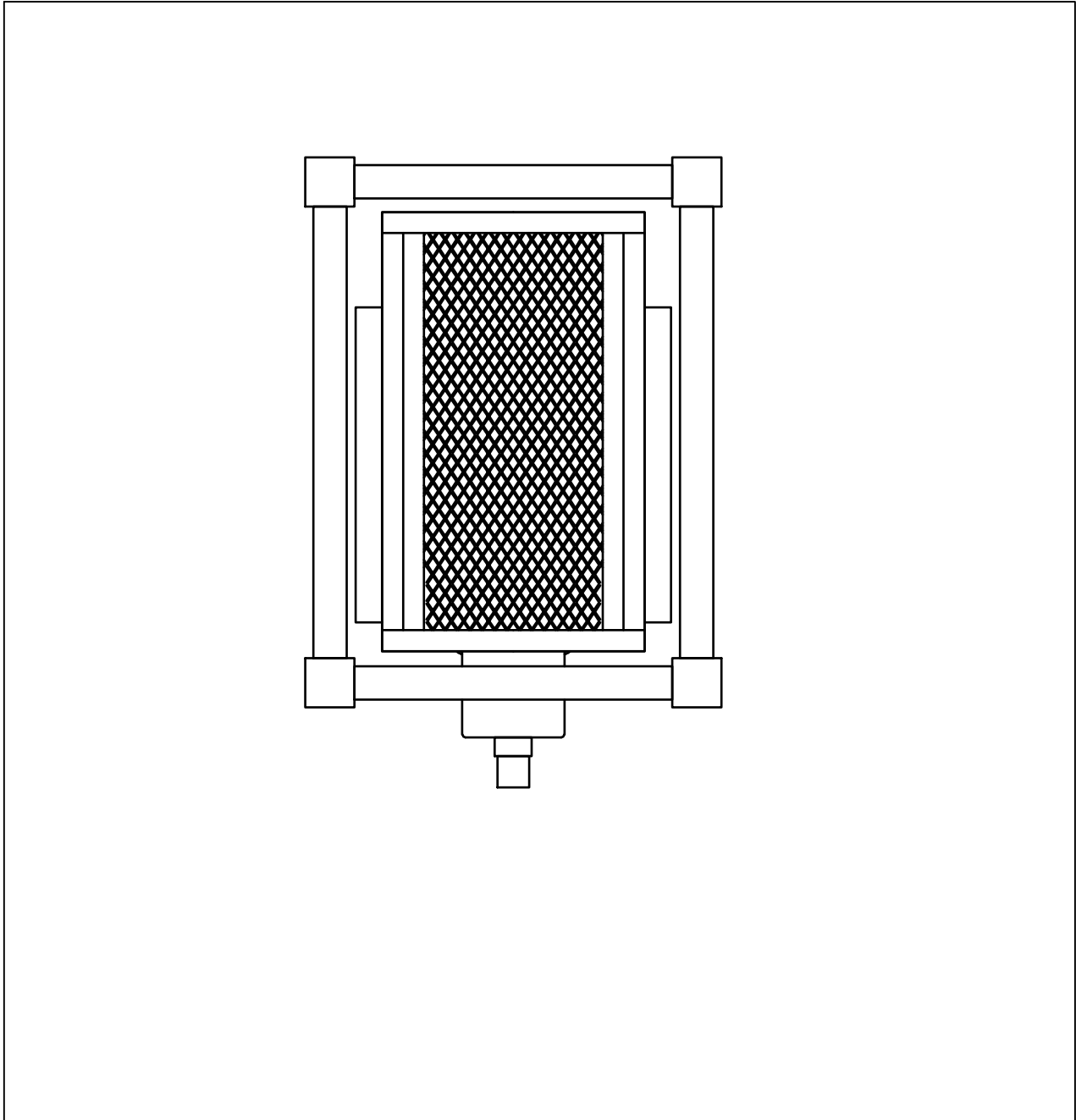




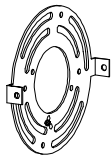
**PRODUCT NAME: Refine 1lt wall sconce**

**ITEM NUMBER: 12151**



**Bulb(not included): 1-60 Watt Medium Base Bulb**

**IMPORTANT:** Turn off the power at the main fuse or circuit breaker box before starting installation



**A**  
Mounting bracket (1pc)

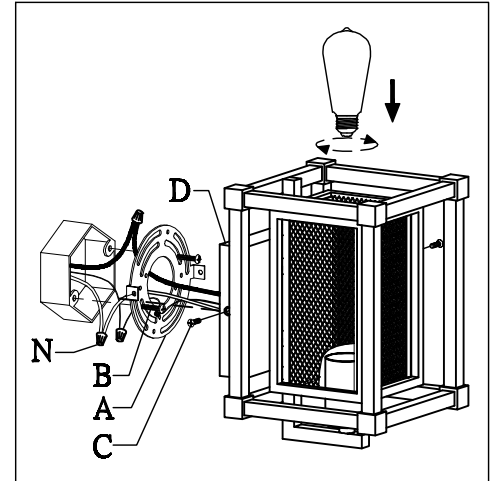
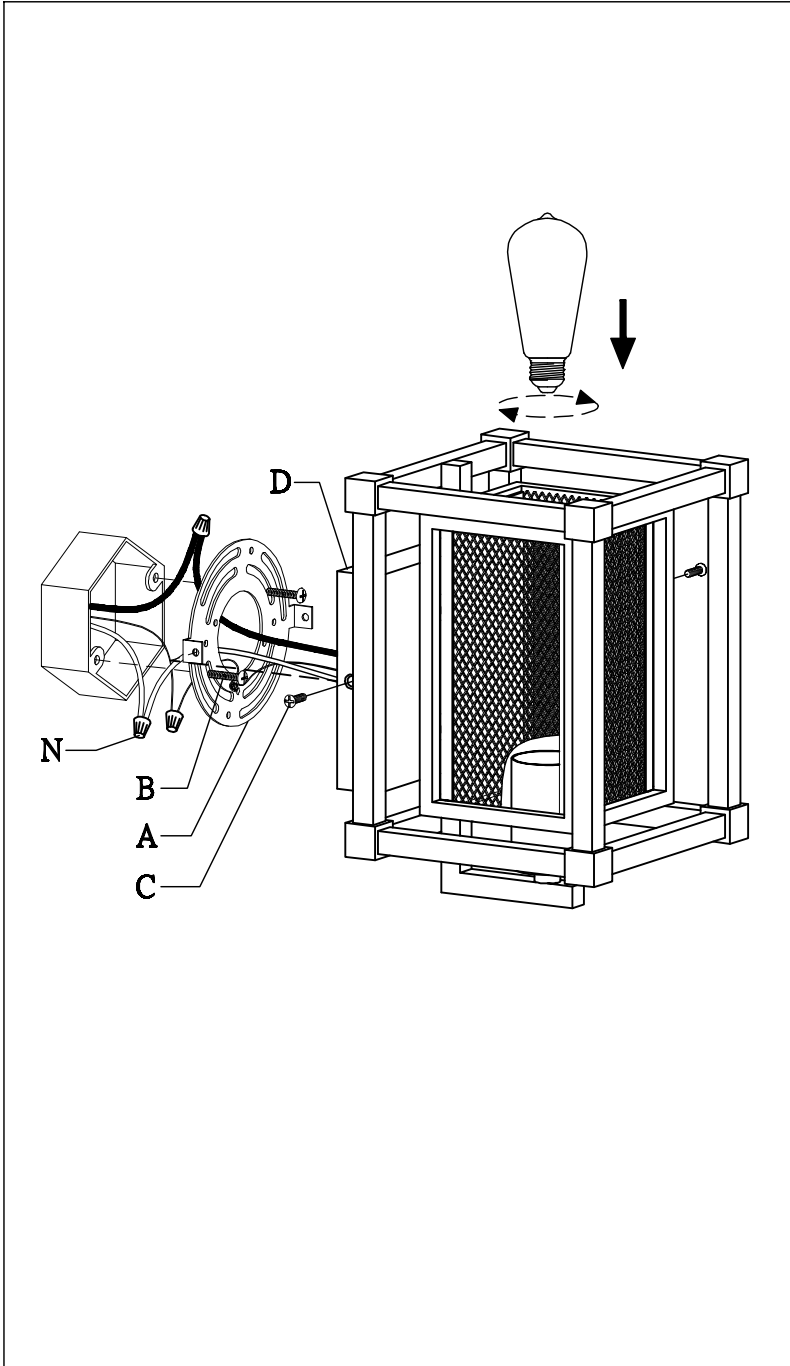


**B**  
Screw(2pcs)



**C**  
Screw(2pcs)

**Locate all hardware & components before discarding packaging**



**Step.1:Remove mounting bracket (A) from fixture and install to electrical box. Then wire fixture to wires in outlet box. Copper wire is for Ground. Attach backplate(D) to mounting bracket(A) and screws (B), then tighten by screw(C), so fixture meets wall.**

**Remark: We have not included the bulb, but we keep the space to put the bulb for our package**

**Cleaning & Care:**

Clean with soft cloth and a mild detergent.  
Do not use abrasive cleaner.