

CWI LIGHTING

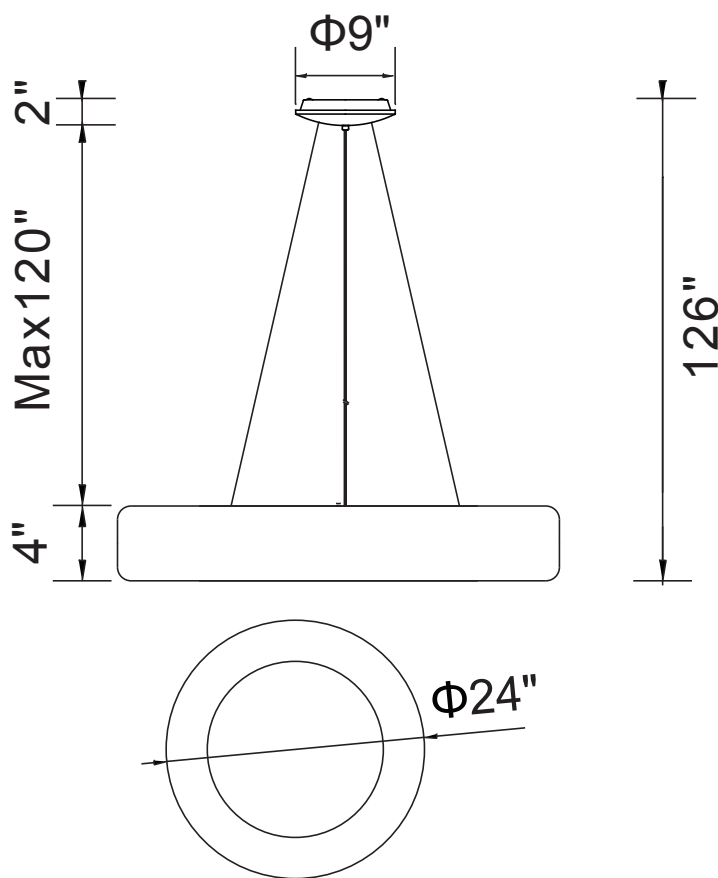
BRIGHTER LIVING. SIMPLIFIED.

PROJECT: _____

FIXTURE TYPE: _____

LOCATION: _____

CONTACT/PHONE: _____



Item	7103P24-1-167-A
Collection	WATERFALL
Finish	Gray
Acrylic	Forsted
Crystal	-----
Input	120V AC,60HZ,AC

Shade	-----
Length/Dia.	24"
Width/Ext.	-----
Height	4"
Maximum	126"
Lumens	1936

Light Source	LED
Bulb Info.	36W
Included	-----
Dimmable	No
Color	3000K
Weight	