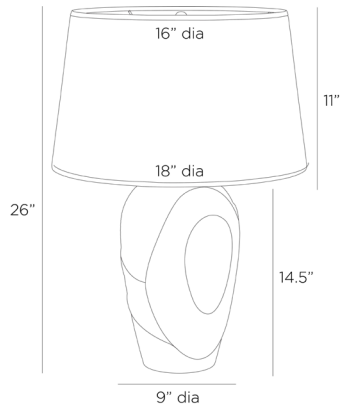


ARTERIOS

AMELIA LAMP



PTE05-252
H: 26 IN, Dia: 18.00 IN
Matte White, Porcelain
Contract Suitable As Is

Organic in feel, the porcelain base of the Amelia juxtaposes rough and smooth patterns to enchant the eye and invite the touch. The monochromatic bas-relief pattern glazed in matte white is accentuated with a matching drum shade of off-white linen lined in cotton. Finished with antique brass hardware and a taupe cloth cord. Three-way rotary switch. Finish will vary.

APPEARANCE

Material	Cotton, Linen, Porcelain, Steel
Finish	Antique Brass, Off-White
Finish Will Vary	true
Top Coat/Sealant	false
Finial Description	Antique Brass Sphere
Finial Dimension	1" Sphere

DIMENSIONS

Shade	Top: 16.00 IN, Dia: 18.00 IN, Side: 11 IN
Body	H: 14.5 IN, Dia: 9.00 IN
Neck	H: 2 IN, Dia: 1.00 IN
Foot Print	Dia: 5.00 IN
Harp	9" Antique Brass IN

WIRING

Rating	Indoor Only
Tilt Test	10 Degrees - AU
Cord	10 FT, Back of Lamp Base, Taupe Fabric
Socket	1, Antique Brass, Type A - E26
Switch	3-Way Rotary, At Socket
Maximum Watt	150
Voltage	110-120 V

CERTIFICATIONS

Certifications	Mexico Australia, United Arab Emirates, United Kingdom, United States, Canada
----------------	--

COMPLIANCY

UL/ETL	Yes
CB	Yes
RoHS	true

SHIPPING

Product Weight	7.9 LBS
Gross Weight 1	15 LBS
Shipping Box 1	H: 15.5 IN, L: 9.5 IN, W: 9.5 IN
Shipping Box 2	H: 35 IN, L: 19.5 IN, W: 19.5 IN

ADDITIONAL INFO

Shade Shape	Round
Shade Trim	Rolled Edges
Shade Type	Hardback

CONTRACT

Contract Suitable	true
-------------------	------