

ASSEMBLY AND INSTALLATION INSTRUCTIONS

W0226

WARNING: TO AVOID RISK OF ELECTRICAL SHOCK, BE SURE TO SHUT OFF POWER BEFORE INSTALLING OR SERVICING THIS FIXTURE.

NOTES: 1. Before installing, consult local electrical codes for wiring and grounding requirements.
2. Read and save these instructions.

Hardware Package (included):



Mounting Plate (A)



Mounting Screw (B)



Green Grounding Screw (C)



Fixture Mounting Screw (D)



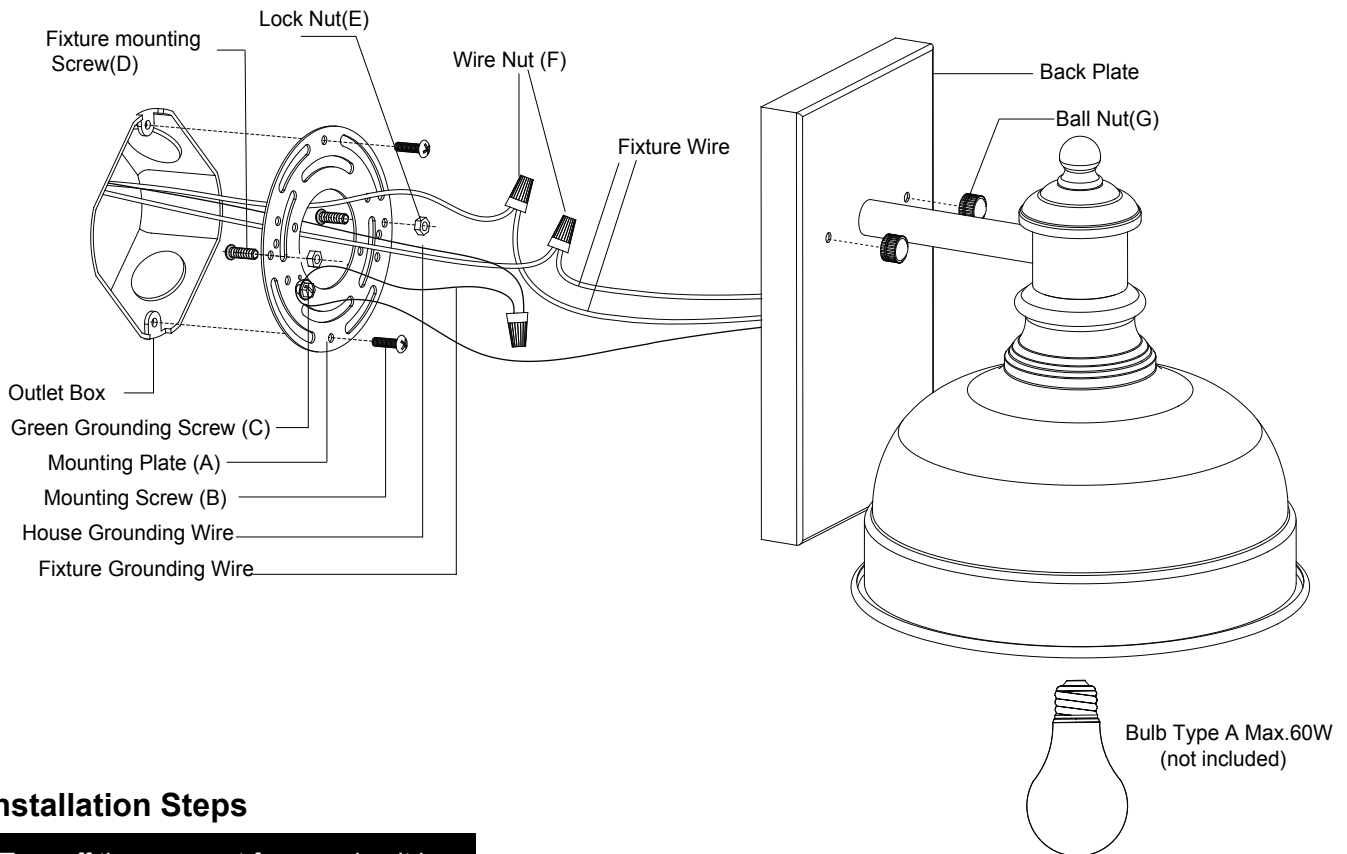
Lock Nut (E)



Wire Nut (F)



Ball Nut (G)



Installation Steps

Turn off the power at fuse or circuit box.

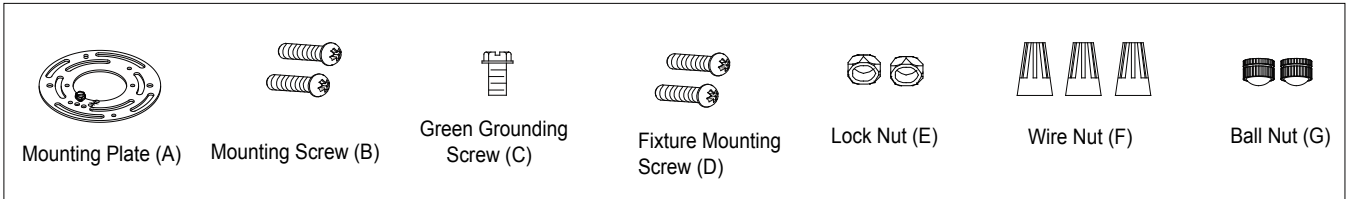
1. Thread two fixture mounting screws through the mounting plate, and then secure them with two lock nuts. Adjust the length of the fixture mounting screws if necessary.
Note: Make sure that the fixture mounting screws are lined up horizontally to make the fixture level.
2. Attach mounting plate to the outlet box using two mounting screws.
3. Pull out the source wires from the outlet box. Make wire connections using wire nuts as follows:
 - Connect the hot wire (usually black insulation) from the fixture to the black wire from the power source.
 - Connect the neutral wire (usually white insulation) from the fixture to the white wire from the power source.
 - Attach the fixture grounding wire (usually green insulation or bare wire) to mounting plate with the green grounding screw, and then connect it to the house grounding wire with the wire nut.Carefully put the wires back into the outlet box.

4. Attach the fixture to the mounting plate by inserting fixture mounting screws into holes on back plate, and then secure it with two ball nuts.
5. Install a bulb (not included). Check relamping label at socket area or packaging for maximum allowed wattage.

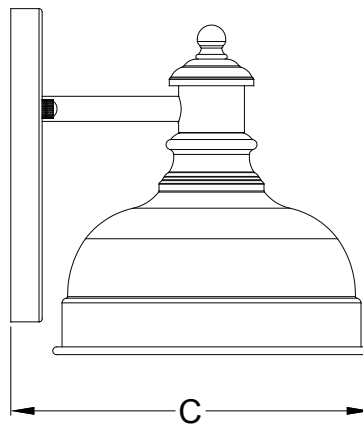
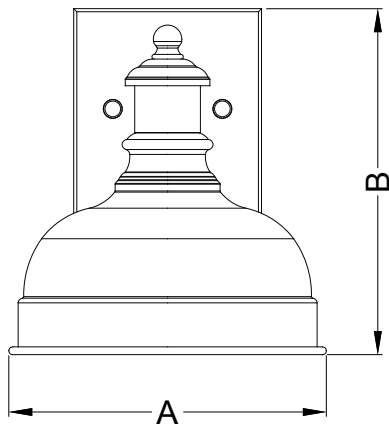
Turn on the power at fuse or circuit box.

The following parts are available for re-order if damaged or missing.

Spare Parts List:



Assembly Kit
5472MM (1 SET)



A: 8"

B: 8-1/2"

C: 9"