

access

LIGHTING

INSTALLATION INSTRUCTIONS

IMPORTANT

Before assembling your ACCESS LIGHTING fixture, please make sure that you carefully read through this instruction sheet.

CONSULT A QUALIFIED ELECTRICIAN TO ENSURE CORRECT BRANCH CIRCUIT CONDUCTOR.

CONSULTER UN ELECTRICIEN QUALIFIE POUR VOUS ASSURER QUE LES CONDUCTEURS DE LA DERIVATION SONT ADEQUATS

THIS PRODUCT MUST BE INSTALLED IN ACCORDANCE WITH THE APPLICABLE INSTALLATION CODE BY A PERSON FAMILIAR WITH THE CONSTRUCTION AND OPERATION OF THE PRODUCT AND THE HAZARDS INVOLVED.

CE PRODUIT DOIT ETRE INSTALLE SELON LE CODE D'INSTALLATION PERTINENT, PAR UNE PERSONNE QUI CONNAIT BIEN LE PRODUIT ET SON FONCTIONNEMENT AINSI QUE LES RISQUES INHERENTS

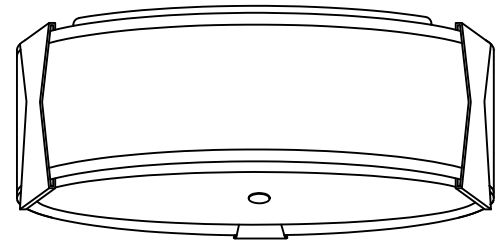
NOTE: The important safeguards and instructions that appear in this manual are not meant to cover all possible conditions and situations that may occur. It must be understood that common sense, caution and care, are factors that can't be built into any product. These factors must be supplied by the person(s) caring for and operating the fixture.

GENERAL INFORMATION

All electrical connections must be in accordance with all ordinances, Local and National Electrical Codes. These fixtures are intended for mounting to a standard 4" x 2 1/2" metal octagon outlet box. The box must be directly supported by the building structure and U.L. Recognized.

STEP BY STEP INSTRUCTIONS

Before starting your installation disconnect the Power by turning off the Circuit Breaker or by removing the fuse at the fuse box. Just turning the light off at the light switch is not sufficient to prevent electrical shock.



COLLECTION

TARA

APPLICATION

Flush Mount

MODEL NO.

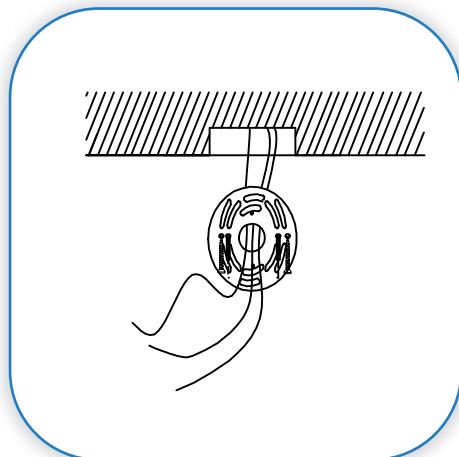
50121

WHAT WE PROVIDE

- Mounting Hardware
- Crossbar
- 3 x Curved Glass
- 1 x Flat Glass

WHAT YOU NEED

- Screwdriver
- Wire Cutters
- Wiring Supplies as Specified by Electrical Code
- 3 x 75W E-26 A19 Bulb



1

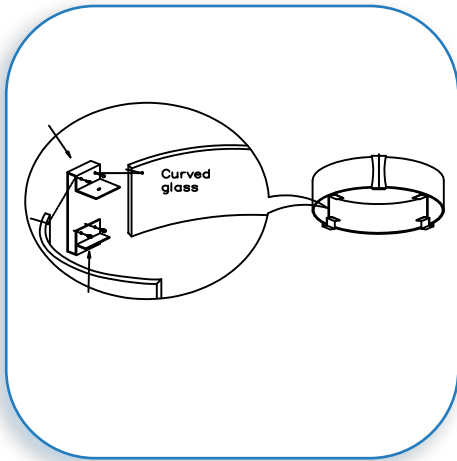
PREPARE FIXTURE

If there is an existing fixture remove it.

Expose the supply wires from the J-box .

Secure the crossbar to the J-box with the supplied screws.

Ensure that the additional screws face downward.

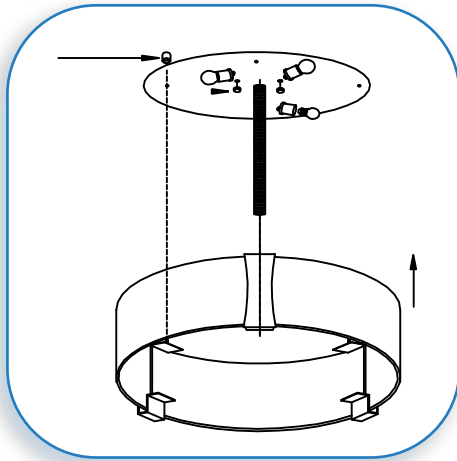


2

INSTALL THE CURVED GLASSES

Take the 3pcs curved glass and align them so that they slide in, from opposite sides, into the middle of the metal brackets. Align the holes in the glass with the holes in the metal brackets. Using the glass security screws tighten so that glass security screws are flush to the metal brackets.

Repeat the procedure with the remaining ends of curved glasses.

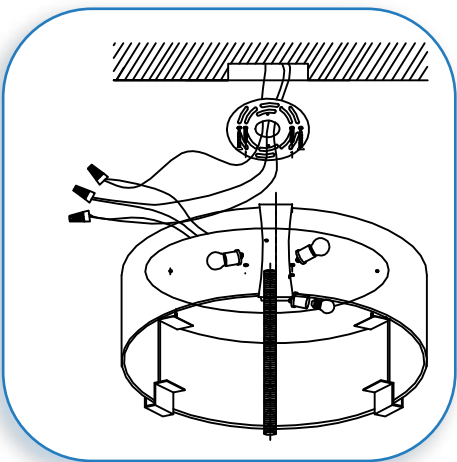


3

SECURE THE ROUND METAL PLATE

Align the holes on the metal brackets and the holes in the round metal plate.

Secure with the 3pcs supplied thumb knobs.



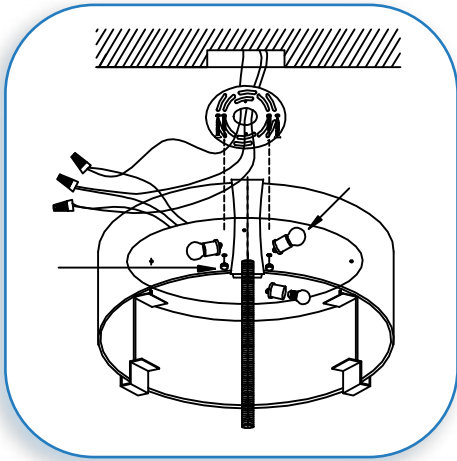
4

CONNECT THE WIRES

Gently pull the supply wires through the hole in the crossbar. Connect the black supply wire to the black fixture wire. Secure with the supplied wire nuts.

Connect the white supply wire to the white fixture wire. Secure with the supplied wire nuts. Either wrap the green wire around one of the protruding screws or connect it to the supply ground wire. Secure all wires with U.L. Certified electrical tape (not supplied).

Tuck all wires carefully into the J-Box.

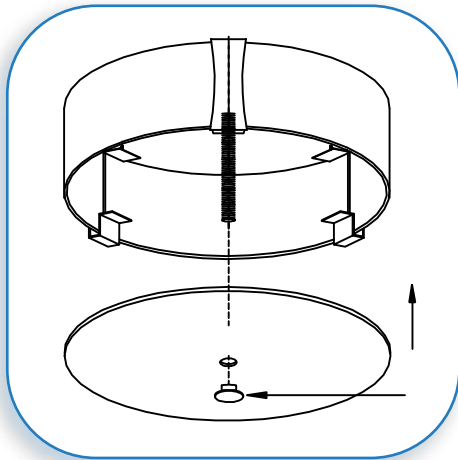


MOUNT THE FIXTURE AND INSERT THE BULB

Fit the fixture up to the crossbar. Align the hanging screws into the designated holes in the round metal plate. Secure with the supplied nuts. Insert the bulbs.

MAXIMUM WATTAGE 75W.

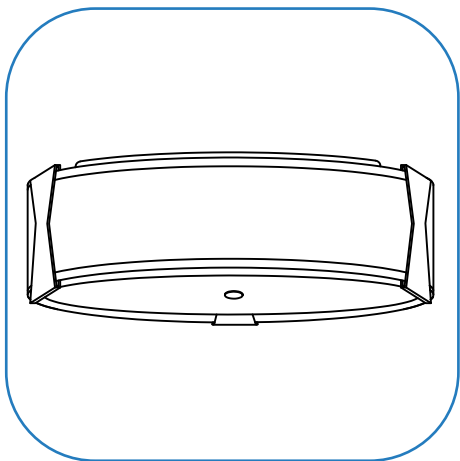
DO NOT EXCEED THE RECOMMENDED WATTAGE AS STATED ON THE WARNING LABEL AND INSTRUCTION SHEETS.



COVER THE FLAT GLASS

Fit the flat glass to the base of the curved glass placing the nipple through the designated hole in the center of the flat glass.

Secure with the supplied finial.



RESTORE THE ELECTRICITY AND CHECK THE OPERATION OF YOUR NEW ACCESS LIGHTING FIXTURE

