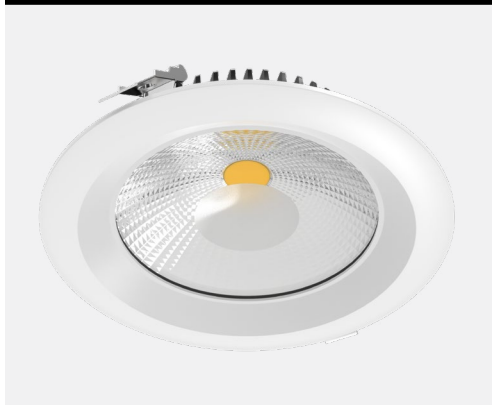
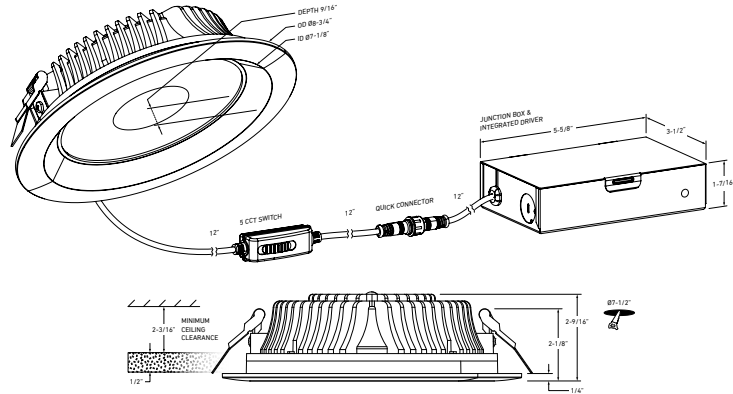


**MODEL NAME** **HPD8-CC-V**  
**HILUX**  
**8-Inch High-Powered Commercial Downlight**

This recessed downlight is a go-to for your commercial projects.



<b>PROJECT:</b>	<b>TYPE:</b>
<b>DATE:</b>	<b>QTY:</b>
<b>NOTES:</b>	

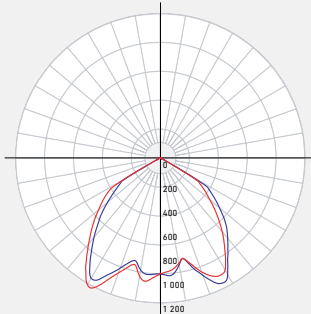


**QUICK SPECS**

SIZE	WATTS	DELIVERED LUMENS*	COLOR °T 5CCT	CRI	VOLTAGE	BEAM ANGLE	FINISH
8"	40W	2600lm	2700K 3000K 3500K 4000K 5000K	90	277V/347V	120°	○ White

\*Lumen output measured at 3000K

**LIGHT DISTRIBUTION**



<b>CONSTRUCTION</b>	<b>Lens</b> Clear	<b>Type of optics</b> Reflector	<b>Type of LED</b> COB
	<b>Lens material</b> Glass	<b>Housing material</b> Cast aluminum	<b>Cut hole size</b> 7-1/2"
<b>RATINGS</b>	<b>Placement</b> Indoor/Outdoor	<b>Lifespan</b> 50,000 hrs.	<b>FT rating</b> FT6
	<b>Location</b> Wet	<b>Certifications</b> ETL, FCC, ICES, ES IC, ASTM E283-04, T24	<b>Operating temperature</b> -20° to 40° C

**WHAT'S IN THE BOX**

- LED recessed fixture
- Junction box
- Push-in wire connectors
- Mounting hardware
- Instruction sheet

**ACCESSORIES**

- [RFP-58](#)  
Drilling Plate

**ADAPTERS**

- [REC-EXT108](#)  
108" extension cord for recessed fixtures
- [REC-EXT230](#)  
230" extension cord for recessed fixtures



**ELECTRICAL  
DETAILS**

**Input voltage**  
120-347V

**Output current**  
960mA

**Power factor**  
99%

**Driver type**  
Constant current

**Output voltage**  
30-42V

**LED model #**  
COB

**THD harmonic  
distortion**  
<30%

**Binning type**  
3 SDCM

**FEATURES**

Every fixture includes  
a junction box with an  
integrated driver

Superior LED  
performance and  
lifespan

Switch-selectable CCT:  
2700K / 3000 K / 3500 K /  
4000 K / 5000 K

Can be daisy chained

Smooth 360° wide  
spread

Input for 0/10V,  
120-277-347V

**WARRANTY**

DALS offers a 5-year warranty from the date of purchase which covers repairs or replacement of defective parts of the housing, optics, and electronics. To contact DALS customer service call 1-877-430-1818 or send an e-mail to [info@dals.com](mailto:info@dals.com).

**RECOMMENDED DIMMER LIST\***

BRAND	MODEL #	DIMMER SPECS	GRADE	DIMMING RANGE (%)	MAX LOAD
Lutron	DVSTV (0-10 V Controls)	960W, Operating Voltage: 120-277 V~, Load Switching, Capacity: 8 A	Compatible	Min: 0 / Max: 100	24

\* Minimal buzzing noise may occur with some dimmers