

CRYSTORAMA



crystorama.com

LIGHTING THE WAY FOR SIXTY YEARS

ASSEMBLY INSTRUCTION MODEL #8102-PN

WARNING



Electrical Danger

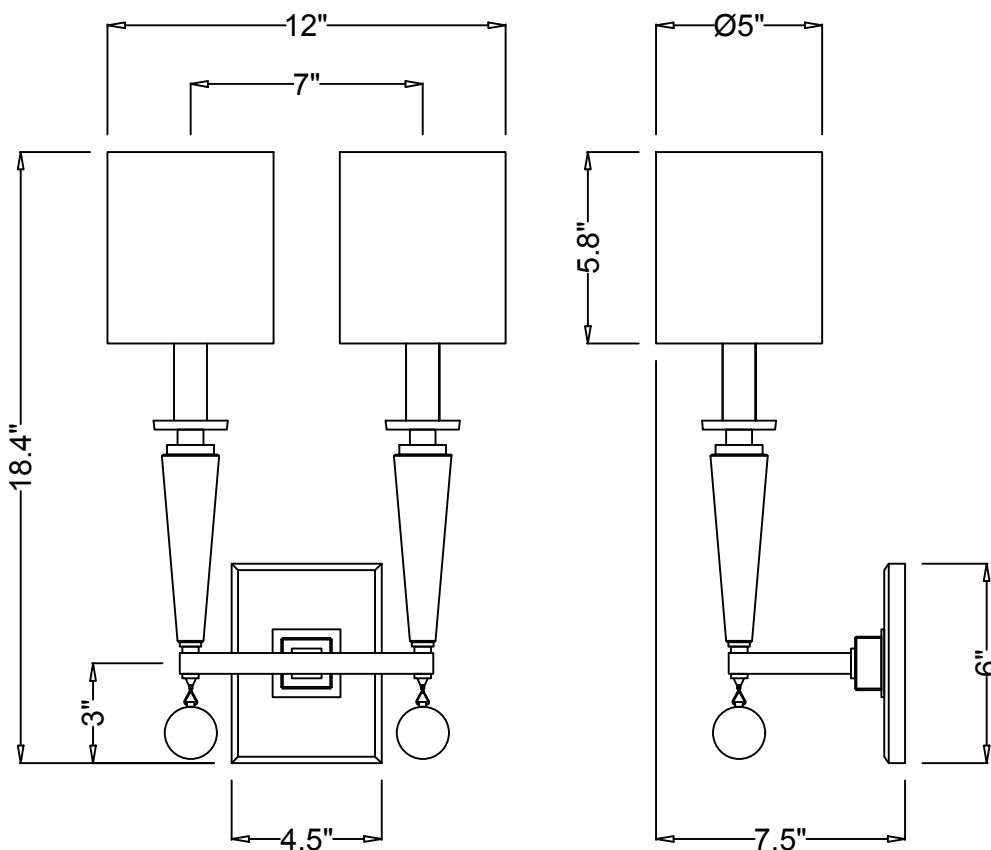


Turn Power Off

All electrical components must be installed by a licensed electrician in accordance with the National Electric Code and the appropriate local electrical codes.



You will need 2-Candelabra Bulb
60 watts Max Bulb not included
USE LED BULBS FOR EXTENDED USE
This fixture is DRY rated



How to Install

1. Attach the fixture onto the outlet box in the wall.
2. Put the shade on the candle sleeve and secure it in place using the socket ring.
3. Install the recommended bulb into the socket and screw the crystal drop into the bottom.
4. After connecting the wires, fix the back plate on the mounting plate with screws.

WARNING: This product can expose you to Lead, which is known to the State of California to cause cancer and/or birth defects or reproductive harm. For more information go to www.P65Warnings.ca.gov

CRYSTORAMA



crystorama.com

LIGHTING THE WAY FOR SIXTY YEARS

PART NUMBER MODEL #8102-PN

Part Number

Part Numbers

- A. Mounting Hardware
 - (1) Mounting Plate
 - (2) Mounting Screws
 - (3) Wire Nut
 - (4) Screws
- B. (1) Back plate; 4.5"x6"x0.63"h; XMO8101PNBKP6IN
- C. (2) Crystal drop
- D. (2) Crystal Column
- E. (2) Candle Sleeve
- F. (2) Shade; $\varnothing 5" \times 5.8" \text{h}$; XMO8101SHA6IN

