

The Strut LED bollard exemplifies the epitome of a modern, minimalist aesthetic. The clean lines and modern design can effortlessly disappear into the setting or be positioned to make a bold statement. A singular line of LED down light with controlled Type II distribution is ideal for outdoor path and campus illumination.

**High quality LM80-tested LEDs**  
for consistent long-life performance and color

**Outstanding protection against the elements:**

- Powder coat finishes
- Stainless Steel mounting hardware
- Impact-resistant, UV stabilized frosted acrylic lensing

**Type II asymmetric light distribution**

SPECIFICATIONS

|                           |   |
|---------------------------|---|
| DELIVERED LUMENS          | 1312  |
| WATTS                     | 19.3  |
| VOLTAGE                   | Universal 120-277V, with integral transient 2.5kV surge protection (driver)   |
| SECONDARY SURGE PROTECTOR | 10kA  |
| DIMMING                   | 0-10, ELV   |
| LIGHT DISTRIBUTION        | Type II   |
| MOUNTING OPTIONS**        | Bolt  |
| PERFORMANCE OPTIONS       | Photocontrol / In-Line Fuse   |
| CCT                       | 2700K, 3000K or 4000K   |
| CRI                       | 80+   |
| COLOR BINNING             | 3 Step  |
| BUG RATING                | B1-U1-G1  |
| DARK SKY                  | Compliant   |
| WET LISTED                | IP65  |
| GENERAL LISTING           | ETL   |
| CALIFORNIA TITLE 24       | Can be used to comply with CEC 2016 Title 24 Part 6 for outdoor use. Registration with CEC Appliance Database not required. |
| START TEMP                | -30°C   |
| FIELD SERVICEABLE LED     | Yes   |
| CONSTRUCTION              | Aluminum  |
| HARDWARE                  | Stainless Steel   |
| FINISH                    | Powder Coat   |
| LED LIFETIME              | L70; 70,000 Hours   |
| WARRANTY*                 | 5 Years   |
| WEIGHT                    | 7.5 lbs.  |

\* Visit [techlighting.com](http://techlighting.com) for specific warranty limitations and details.  
\*\*Bollard base not suitable for branch circuit through wiring.



STRUT BOLLARD  
shown in bronze

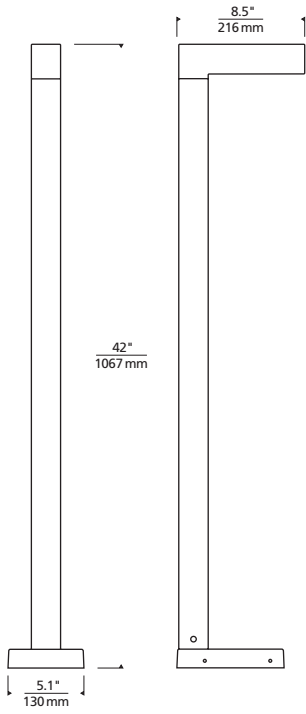


STRUT BOLLARD  
shown in charcoal

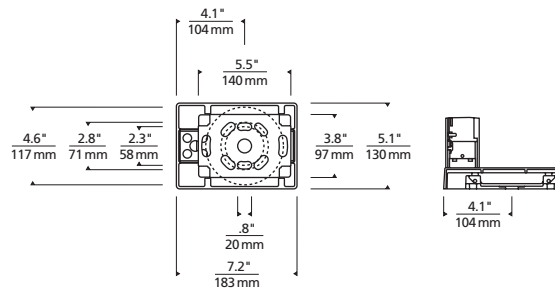
ORDERING INFORMATION

| 700OBSTR | CRI/CCT       | LENGTH | LENS         | FINISH     | VOLTAGE       | DISTRIBUTION          | OPTIONS                                  |
|----------|---------------|--------|--------------|------------|---------------|-----------------------|--|
| 827      | 80 CRI, 2700K | 42 42" | C FLAT CLEAR | B BLACK    | UNV 120V-277V | 2 TYPE 2 DISTRIBUTION | NONE                                     |
| 830      | 80 CRI, 3000K |        |              | Z BRONZE   |               |                       | PC BUTTON PHOTOCONTROL*                  |
| 840      | 80 CRI, 4000K |        |              | H CHARCOAL |               |                       | LF IN-LINE FUSE*                         |
|          |               |        |              |            |               |                       | PCLF BUTTON PHOTOCONTROL & IN-LINE FUSE* |

\*FOR USE ONLY IN 120V-277V VERSION.



Strut Bollard



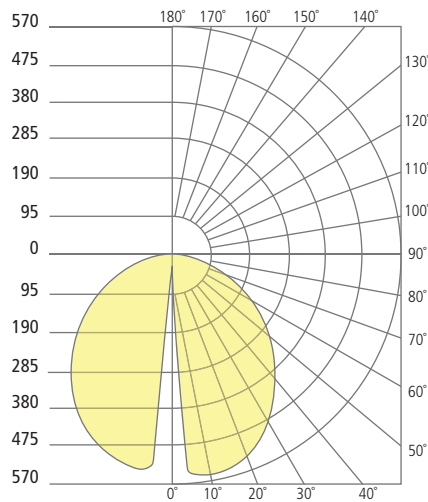
Anchor Plate Bolt Pattern

## PHOTOMETRICS\*

\*For latest photometrics, please visit [www.techlighting.com/OUTDOOR](http://www.techlighting.com/OUTDOOR)

### STRUT BOLLARD

- Total Lumen Output: 1312
- Total Power: 19.3
- Luminaire Efficacy: 67.7
- Color Temp: 4000K
- CRI: 80+
- BUG Rating: B1-U1-G1



## PROJECT INFO

FIXTURE TYPE & QUANTITY

JOB NAME & INFO

NOTES

---



---



---



---



---



---