

UL SPECIFICATION

- * FIXTURE SHALL BE LISTED FOR LOCATION ONLY AND LABELED AS SUCH.
- * FIXTURE MUST BE MANUFACTURED IN ACCORDANCE WITH UL STANDARD 1598.

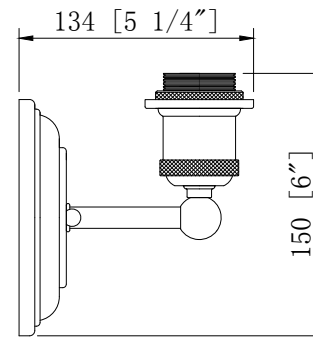
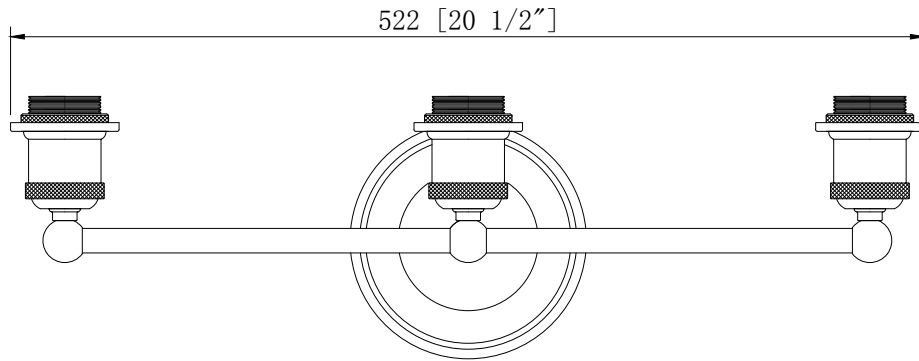
PARTS SPECIFICATIONS

ITEM QTY DESCRIPTION

- A (1) SOCKET- UL LISTED/CSA CERTIFIED
BASE= MEDIUM
SOCKET= PORCELIN
SEE LEAD WIRE FOR SOCKET WIRE SPEC.

- B (1) LEAD WIRE- 8"
UL LISTED/CSA CERTIFIED, AWG #18
105°C BLACK AND WHITE WIRE.

- C (1) GROUND WIRE- 8"



INNOVATIONS LIGHTING
 DESIGN COPYRIGHT - 29/07/2020
 ALL RIGHTS RESERVED AND MAY
 NOT BE DUPLICATED WITHOUT OUR
 WRITTEN PERMISSION

NO.	PART NO.	DESCRIPTION	REQ.

NOTICE: ANY DESIGN OR OTHER INFORMATION HEREON DEVELOPED BY THIS COMPANY IS CONFIDENTIAL MATERIAL AND EXCLUSIVE PROPERTY OF THE L.D. ALIYA CO. DISCLOSURE OR REPRODUCTION REQUIRES THE WRITTEN CONSENT OF THE L.D. ALIYA CO.

INNOVATIONS
CREATIVITY MEET. EVOLUTIONARY DESIGN.

DRAWN IN THIRD ANGLE PROJECTION 	"mm" DIMENSION INDICATED IN [] DIMENSION IN [] IS FOR REF. ONLY			
	TOLERANCES (EXCEPT AS NOTED)			
DECIMAL NONE ±.031 X ±.015 .XX ±.010 XXX ±.005	ANGULAR ± 1/2'	FRACTIONAL ± 1/32	SCALE 1:5	
DATE 3/31/2021	DRAWN BY	CHECKED BY X	APPROVED BY X	

TITLE 3LT WALL MOUNT	
PART NO. WALL	REV.
ITEM NO. 341-3W-BK (BK)	REV. A