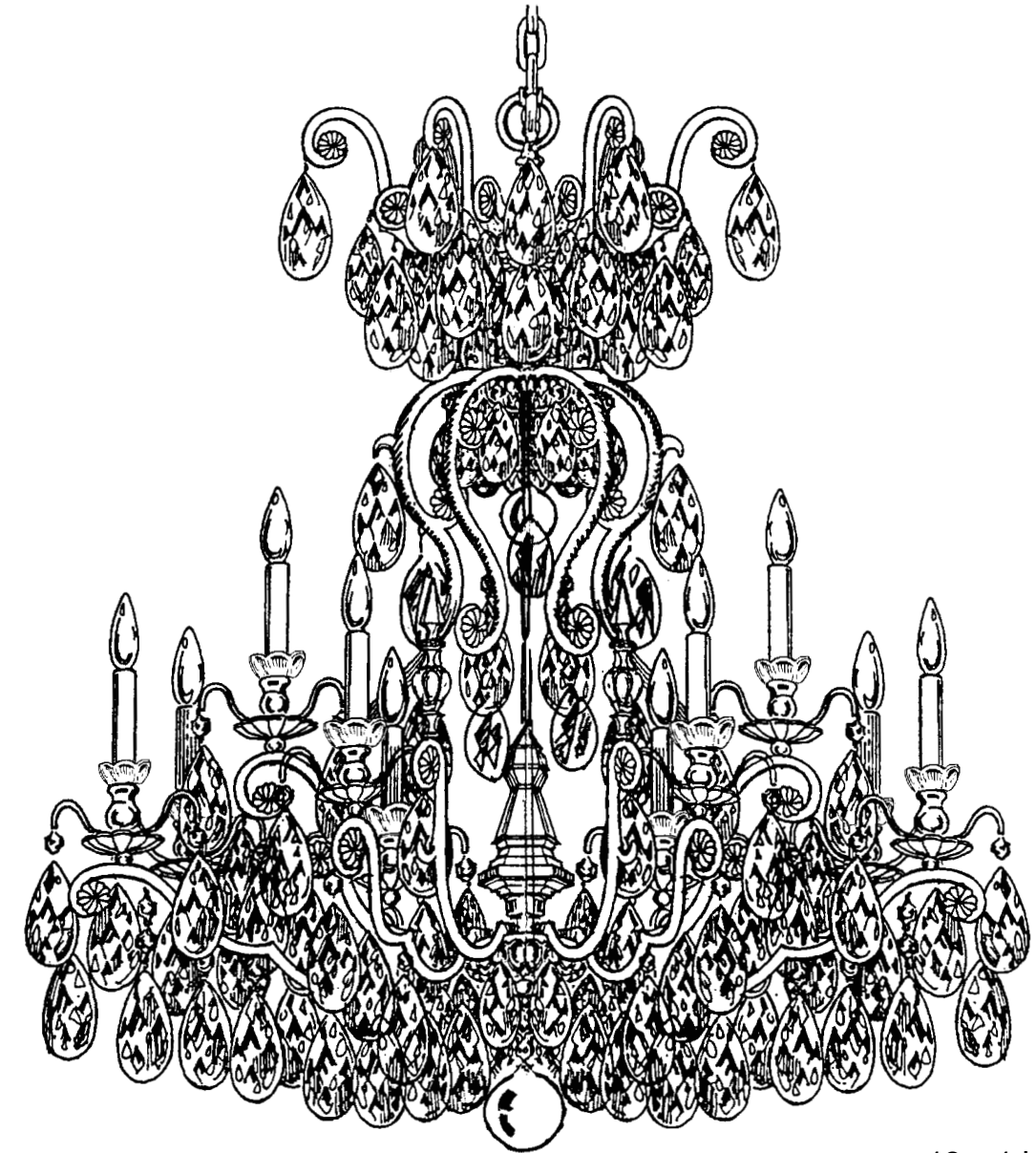


SCHONBEK®

CHANDELIER 3772- ____ TRIM DIAGRAM

(Finish Option)



THIS DESIGN IS THE PROPRIETARY
TRADE DRESS/TRADE MARK OF
SCHONBEK WORLDWIDE LIGHTING INC.

12 + 1 Lights
Diameter: 32"
Body Length: 37"
Hanging Weight: 60 lbs.

SCHONBEK®

**See diagram on back page
Follow steps in exact order
Save this trim diagram for future reference**

1

IMPORTANT

Person who opens carton should record the following information for future service.

CODE # _____ Four-digit number on outside of carton.
PACKER # _____ See crystal package label.
ORDER # _____ See crystal package label.

SCHONBEK IS A WORLD LEADER IN CHANDELIER DESIGN. PATENTS INCLUDE:
#D5,222,805 & #D374,102

Instructions for electrician

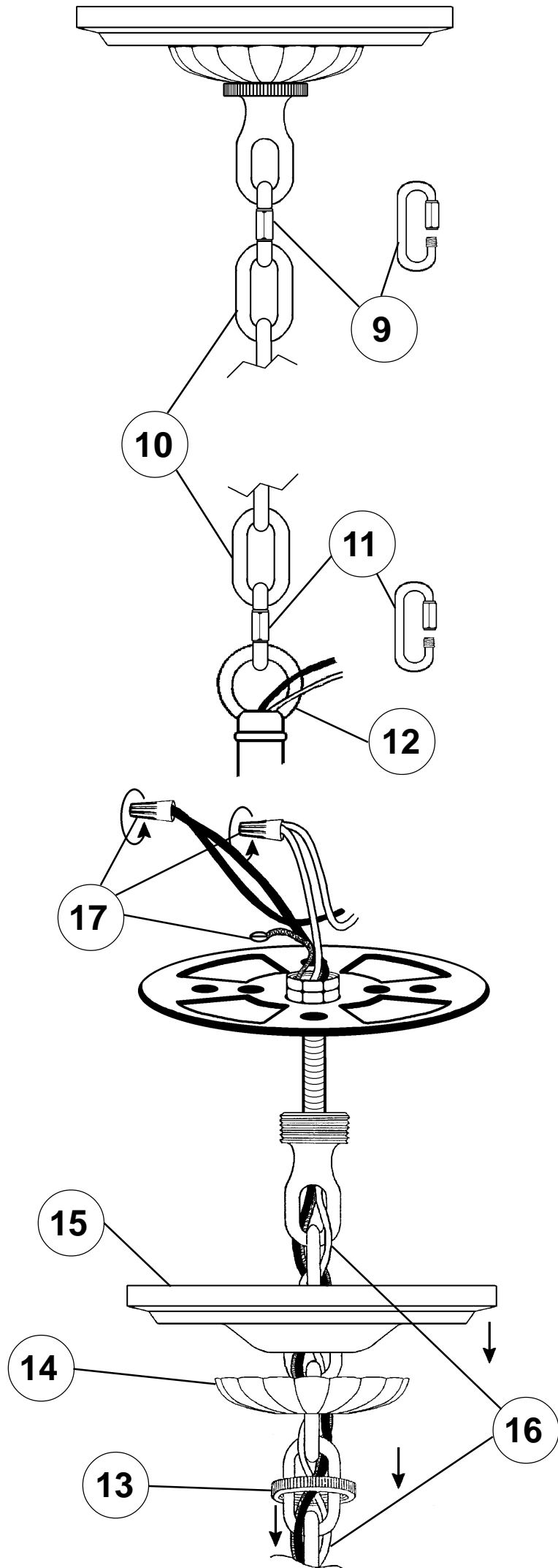
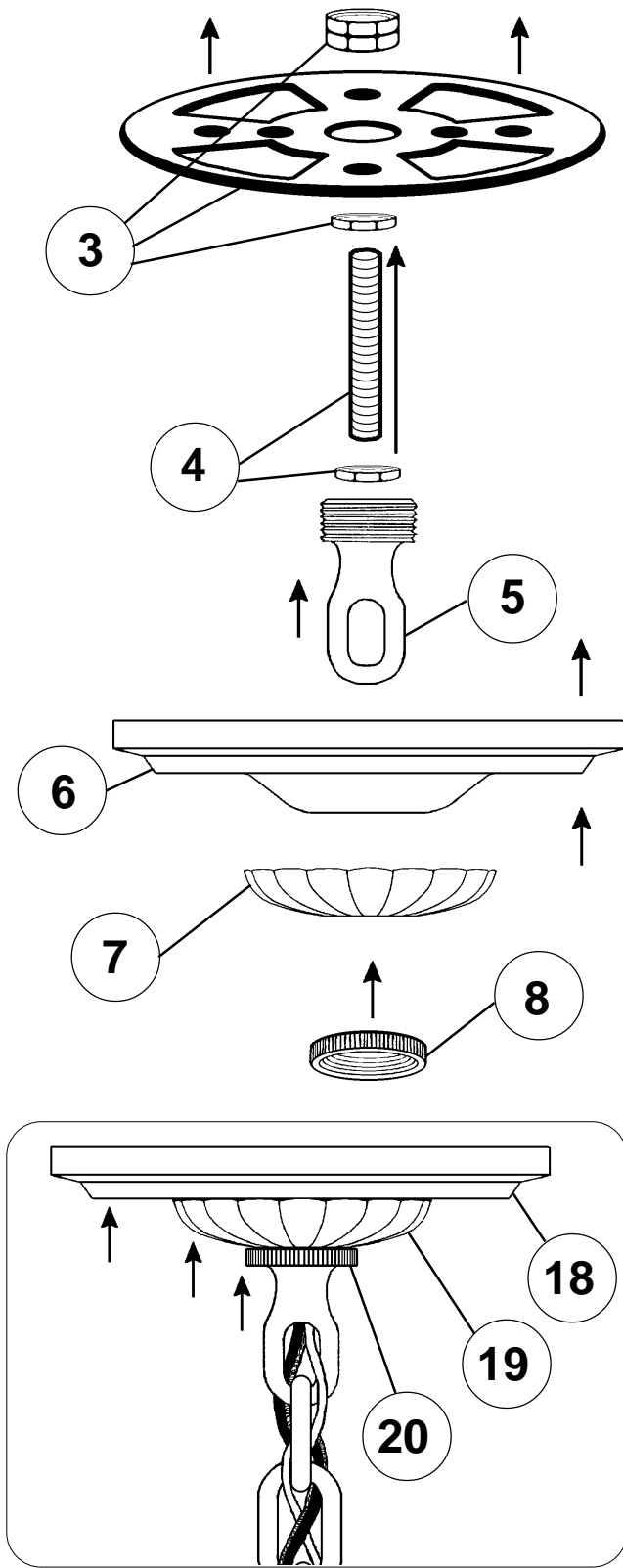
STEPS 2 - 20

WARNING: THIS LUMINAIRE MUST BE MOUNTED OR SUPPORTED INDEPENDENTLY OF AN OUTLET BOX.

2 **WARNING:**

Electrical Danger **Turn Power Off**

All electrical components must be installed by a licensed electrician in accordance with the National Electric Code and the appropriate local electrical codes.



SET #1

N4014 2-1/2" 63mm	N4003 2-1/2" 63mm	N4000 3" 76mm	N4010 3" 76mm	N4007 3-1/2" 89mm	N4002 3-1/2" 89mm	N4012 4" 100mm
--------------------------------	--------------------------------	----------------------------	----------------------------	--------------------------------	--------------------------------	-----------------------------

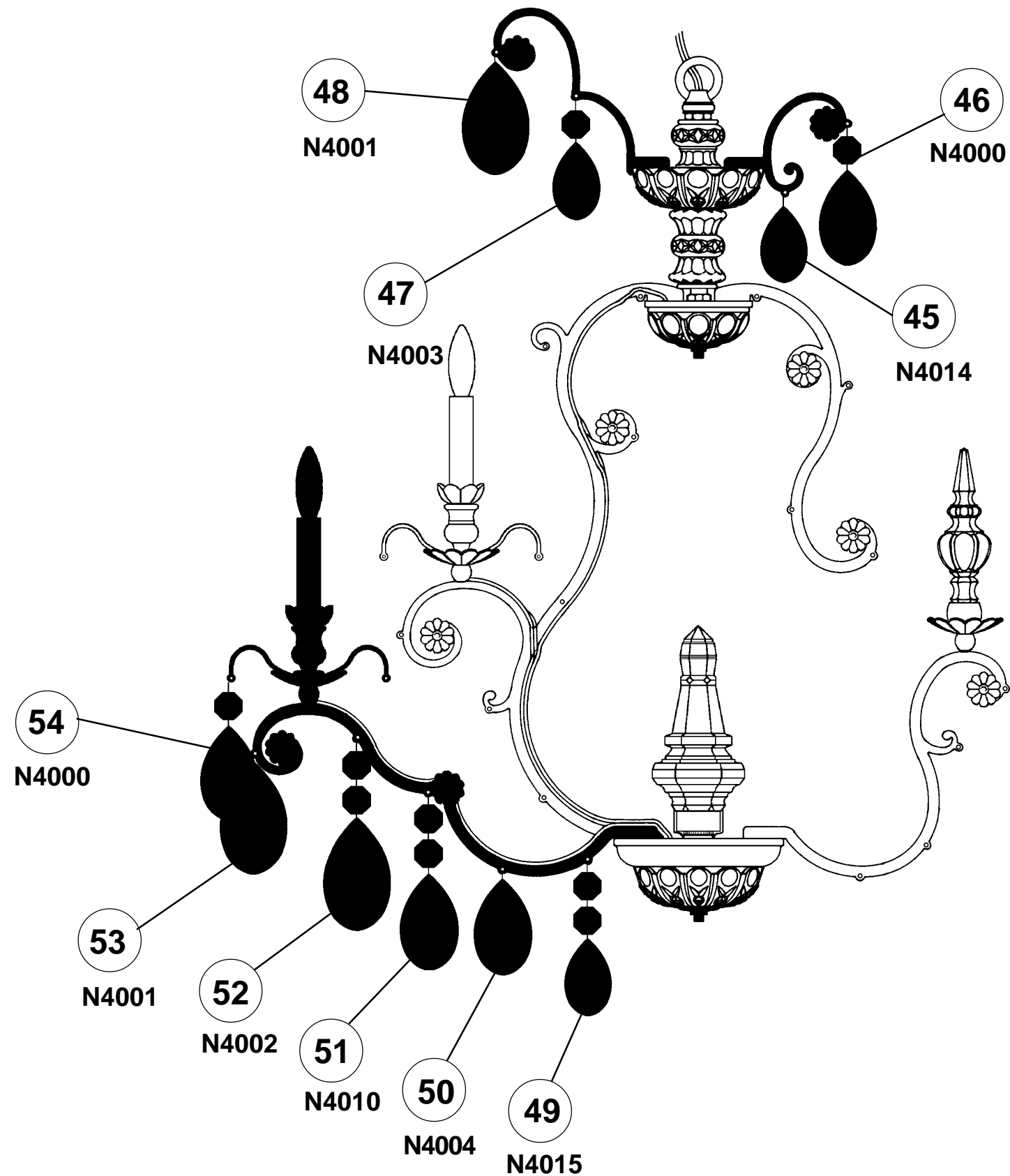
SET #2

N4003 2-1/2" 63mm	N4004 3" 76mm	N4001 3-1/2" 89mm	N4007 3-1/2" 89mm	N4016 4" 100mm
--------------------------------	----------------------------	--------------------------------	--------------------------------	-----------------------------

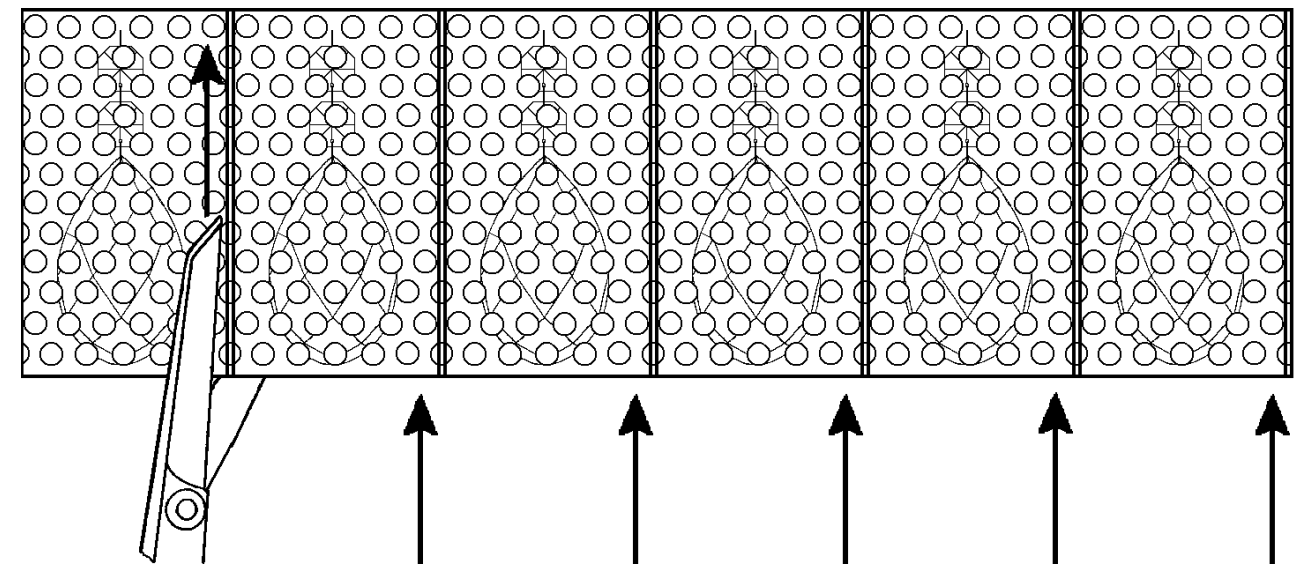
SET #3

N4014 2-1/2" 63mm	N4003 2-1/2" 63mm	N4015 2-1/2" 63mm	N4004 3" 76mm	N4000 3" 76mm	N4010 3" 76mm	N4001 3-1/2" 89mm	N4002 3-1/2" 89mm
--------------------------------	--------------------------------	--------------------------------	----------------------------	----------------------------	----------------------------	--------------------------------	--------------------------------

Crystal Set #3 in Black



For easy removal of crystal from bubble pack, please cut along pouches on the inside of the seam. Gently remove crystal from the side of the pouch.

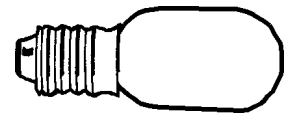


NOTE: Work on one crystal set at a time. Follow the black line from top to bottom according to the numbered steps on the trim diagram.

Instructions for crystal trimming STEPS 21 - 54

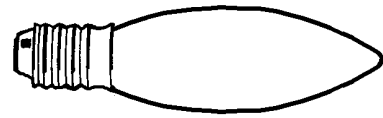
FIXTURE INCLUDES:
Hanger Hardware
Trim - Frame
1 - T7 Light Bulb

DOES NOT INCLUDE:
C10 - Light Bulbs



You will need 1 - T7
15 Watts Max
(Center Light)

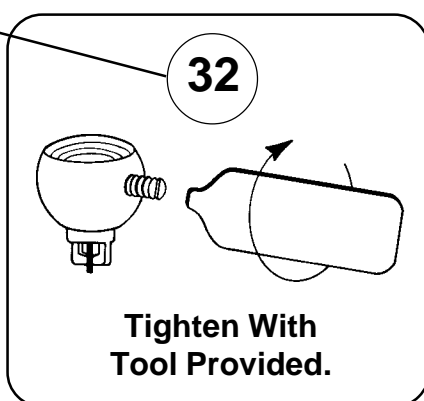
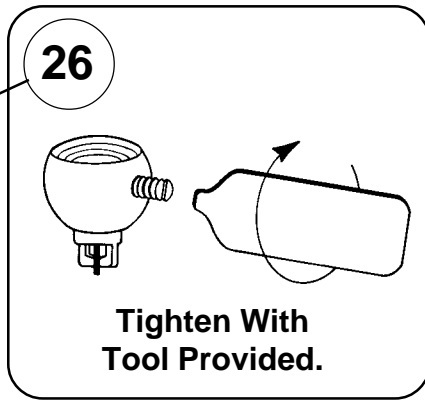
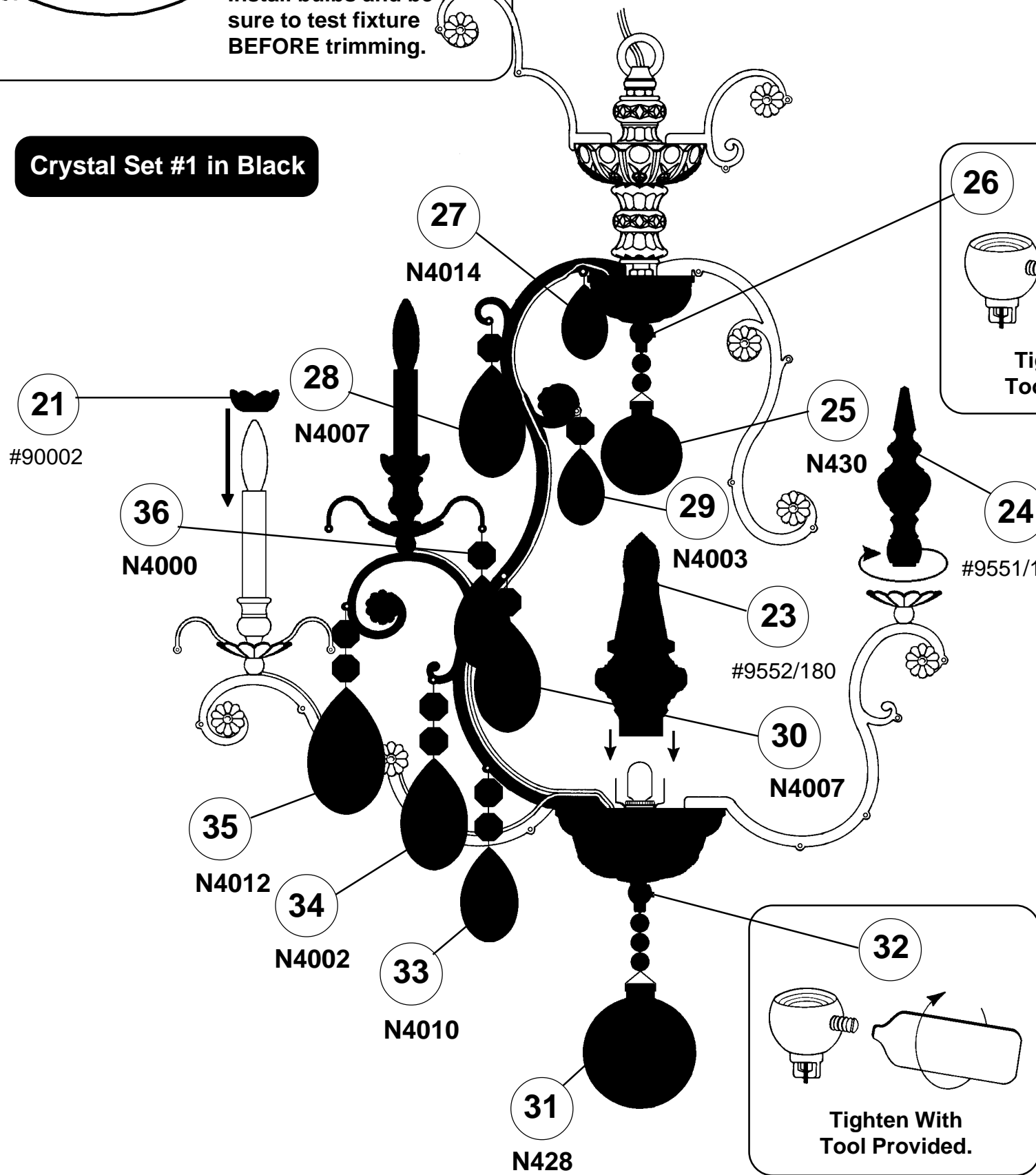
22



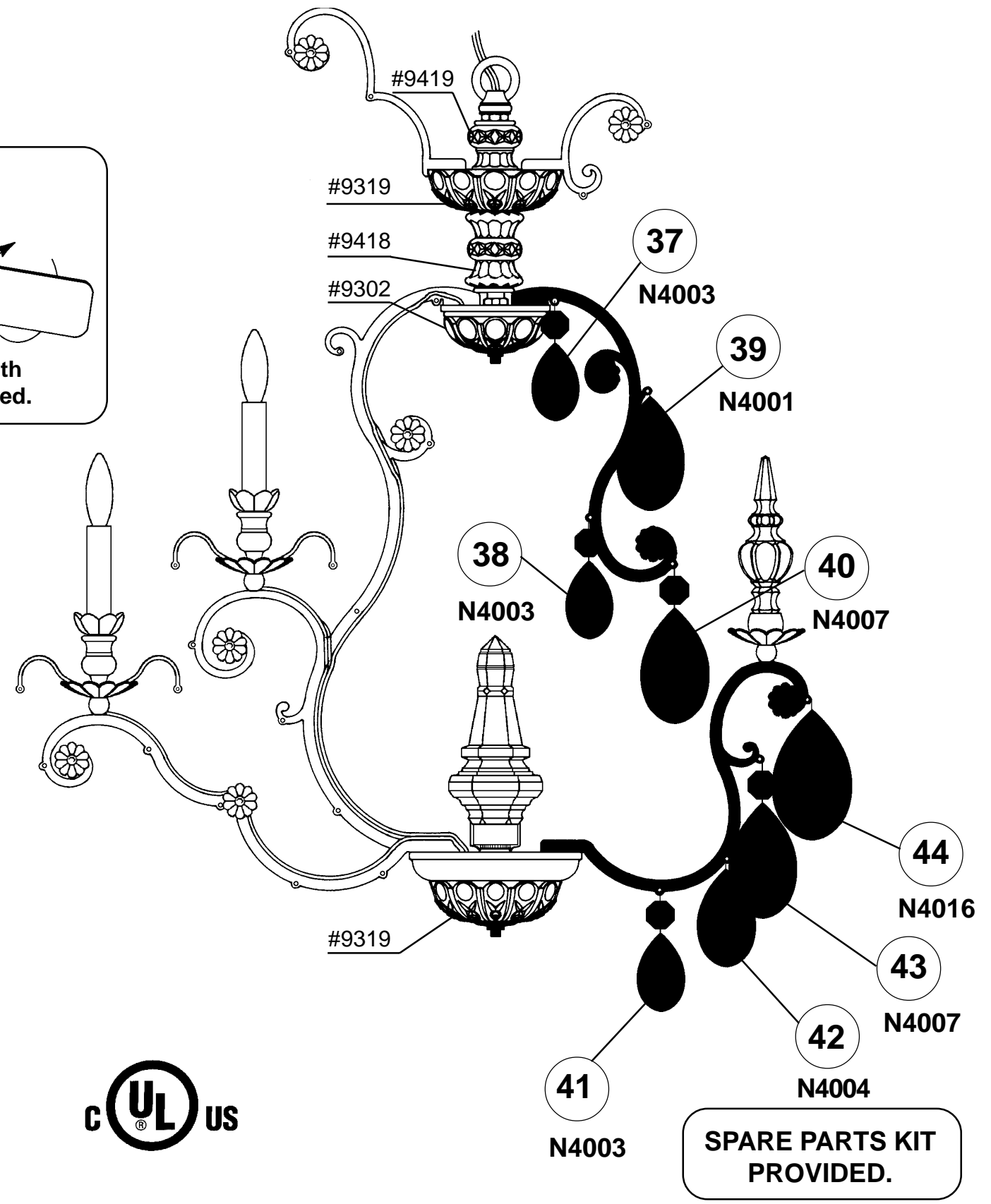
You will need 12 - C10
25 Watts Recommended
60 Watts Max

Install bulbs and be
sure to test fixture
BEFORE trimming.

Crystal Set #1 in Black



Crystal Set #2 in Black



**SPARE PARTS KIT
PROVIDED.**