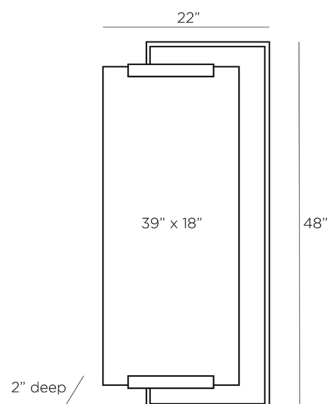


# ARTERIOS

## PRINCETON MIRROR



WMI03  
H: 48 IN, W: 22 IN, D: 2 IN  
Antique Brass  
Contract Suitable As Is

Sleek and modern, the Princeton is created with an offset, forged iron frame and a mirror braced by etched clamps. The geometric mirror is striking alone or as a pair flanking a bathroom vanity. The vertical mirror is fitted with a security cleat for hanging. Finishes will vary.

### APPEARANCE

Material Iron, Mirror  
Finish Plain  
Top Coat/Sealant false

### DIMENSIONS

Mirror Size H: 39 IN, W: 18 IN

### SHIPPING

Shipping Requirements TruckShip  
Product Weight 33 LBS  
Gross Weight 1 44.1 LBS  
Shipping Box 1 H: 55 IN, L: 8 IN, W: 33 IN

### ADDITIONAL INFO

Features T-Screw Hardware Included  
Hanger Position All Four Directions  
Hanger Type Security Cleat  
Hanger Size 12"

### CONTRACT

Contract Suitable true