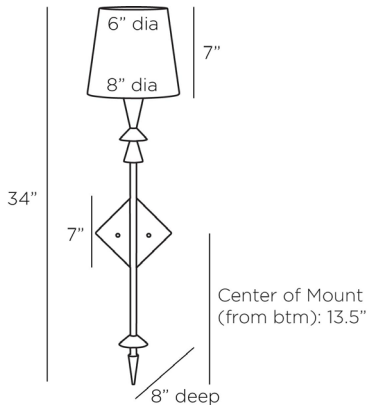


ARTERIOS

ANTON SCONCE



DW112
H: 34 IN, W: 8 IN, D: 8 IN
Black Gesso
Contract Suitable As Is

An Iron Age spear is the unlikely inspiration for our diamond-backed sconce of black gesso finish aluminum. Its unique finish and pointed support may also recall the rugged lines of a shanked fireplace poker. Topped with black gesso finished shade to keep the effect modern and moody. Damp-rated, although limited covered outdoor conditions may affect finish. Finish will vary.

APPEARANCE

Material Aluminum
Finish Will Vary true
Top Coat/Sealant true

DIMENSIONS

Center Of Mount From Btm 13.5 IN
Shade Top: 6.00 IN, Dia: 8.00 IN, Side: 7 IN
Backplate H: 7 IN, W: 7 IN, D: 0.5 IN
Mount H: 3 IN, W: 4 IN

WIRING

Rating Damp
Certification Note CANNOT BE REWIRED FOR INTL USE.
Suggested Bulb Type A19
Cord 0.5 FT, Clear/Silver, SPT-2
Socket 1, Type A - E26
Photographed Bulb Classic Standard Bulb
Maximum Watt 40
Voltage 110-120 V

CERTIFICATIONS

Certifications Mexico
United States, Canada

COMPLIANCY

UL/ETL Yes
RoHS true

SHIPPING

Product Weight 5 LBS
Gross Weight 1 20.94 LBS
Shipping Box 1 H: 31.1 IN, L: 27.5 IN, W: 14.7 IN

ADDITIONAL INFO

Hanging Orientation Horizontal and Vertical

CONTRACT

Contract Suitable true