



CAL LIGHTING

3625 E. Philadelphia St. Ontario CA. 91761 • Tel: 909.947.5200 • Fax:
909.947.5673 • www.calighting.com • service@calighting.com •
Specifications subject to change without notice

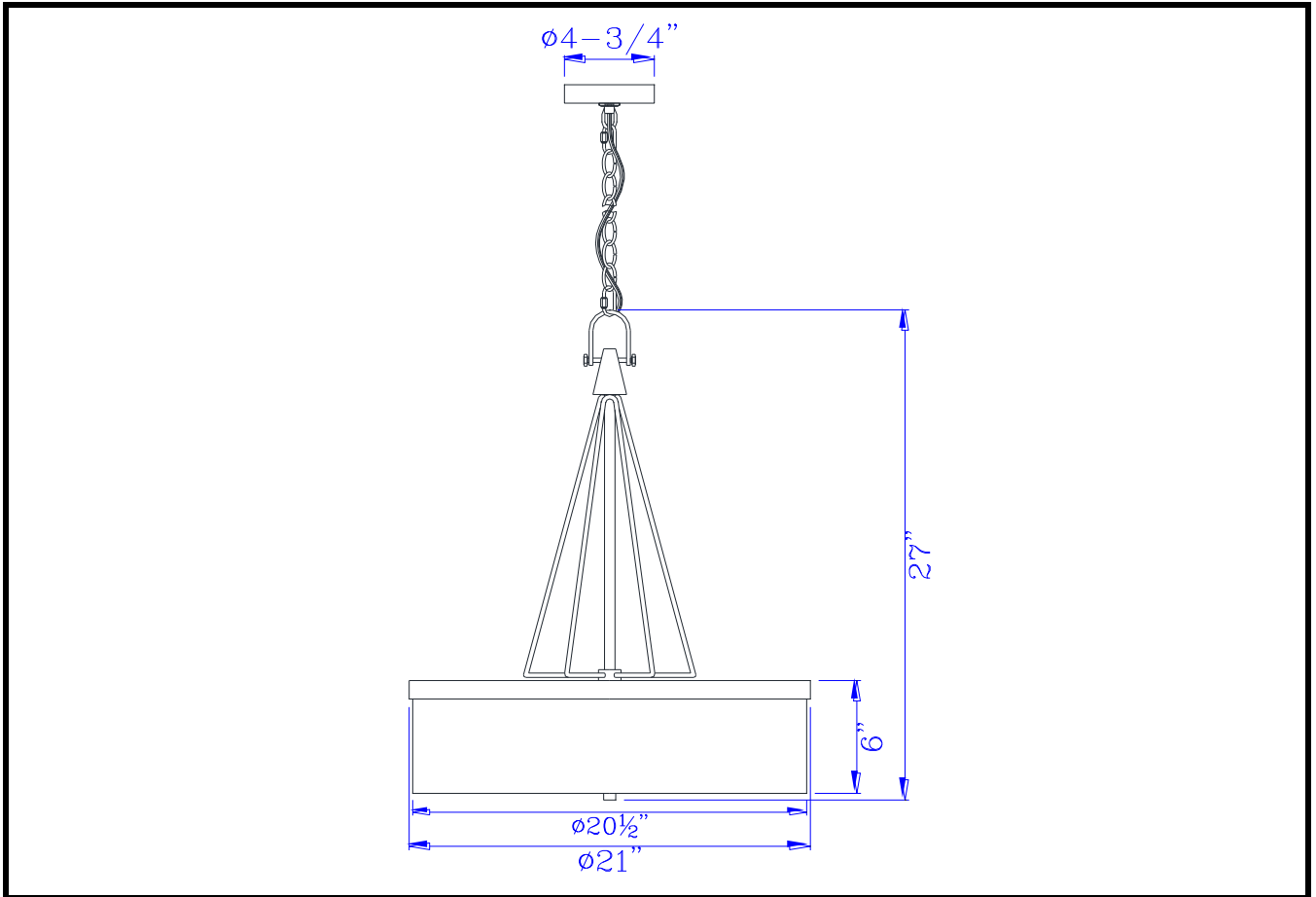
Type: _____

Project: _____

Catalog No.: _____

Lamp/Wattage: _____

Drawing:



- Model No:** FX-3642-3
- Description:** 60W x 3 Rimini pendant fixture with hardback fabric shade
- Material:** Metal
- Finish :** Chrome
- Height:** 27"
- Width:** Dia.21"
- Wattage :** 60W x 3
- Socket :** Medium Base (E26)
- Bulb:** Incandescent,CFL
- Chain Length:** 6'
- Wire Length:** 10'
- Wire Color:** Silver
- Shade No:**
- Material:** Fabric
- Shade size:** 20 1/2"x20 1/2" x 6"

Certificate :

