

SAFETY INFORMATION

Please read and understand this entire manual before attempting to assemble, install or operate the product.

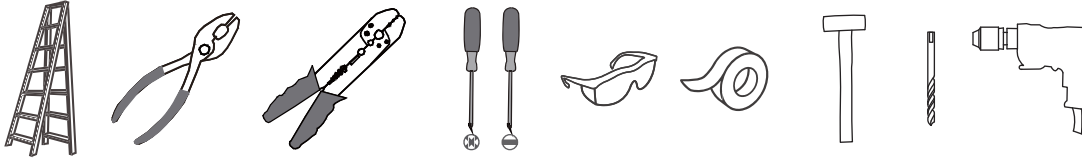
WARNING

- RISK OF ELECTRIC SHOCK - Before beginning installation, turn off electricity at the circuit breaker box or the main fuse box.

CAUTION

- For your safety, read instructions completely before beginning installation.
- If in doubt about electrical installation, consult a licensed electrician.

TOOLS REQUIRED



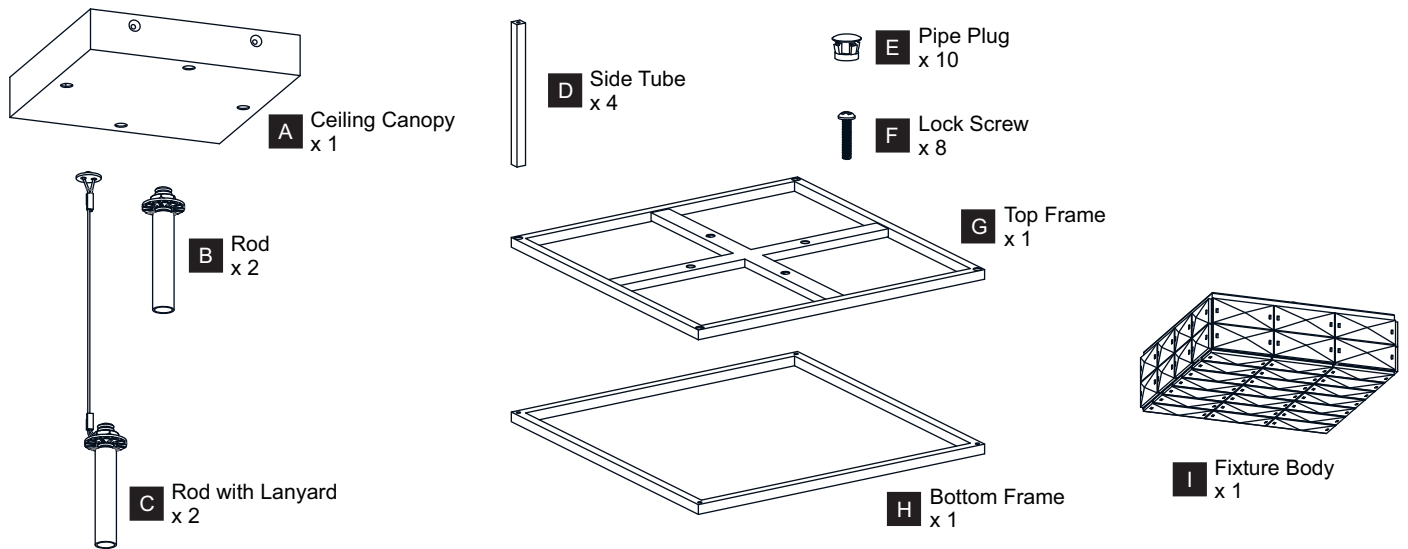
Ratings	120Vac, 60Hz	
	Model No.	Wattage
	PCDZ1716C	25W

CARE AND MAINTENANCE

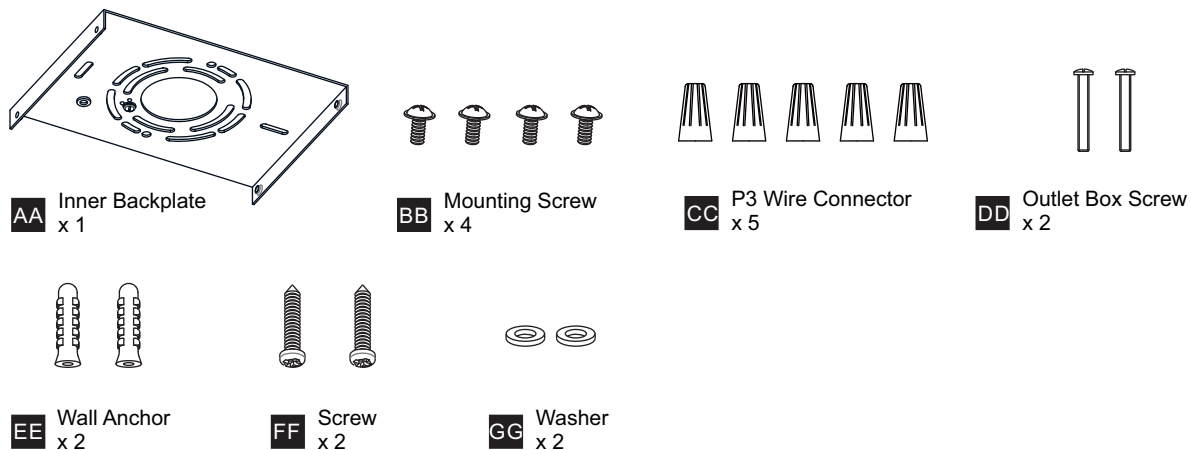
- Wipe clean using soft, dry cloth or static duster. Always avoid using harsh chemicals and abrasives to clean fixture as they may damage the finish.

If you need further assistance call Quoizel Customer Care at 1-800-645-3184 (9:00am - 5:00pm EST), or visit us on-line at www.quoizel.com.

PACKAGE CONTENTS

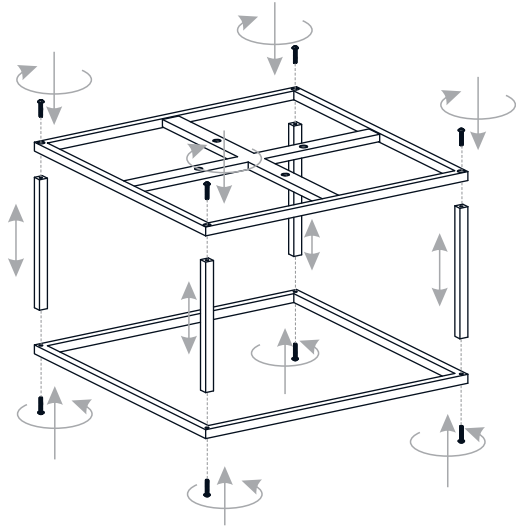


MOUNTING HARDWARE

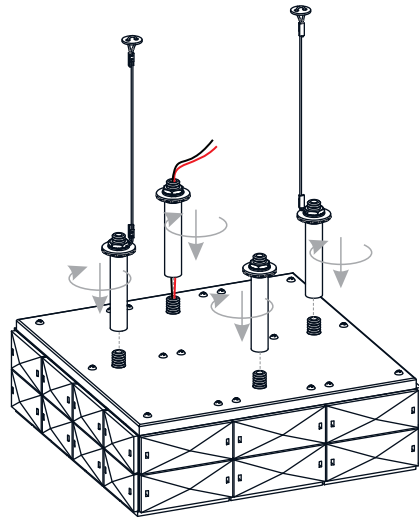


INSTALLATION

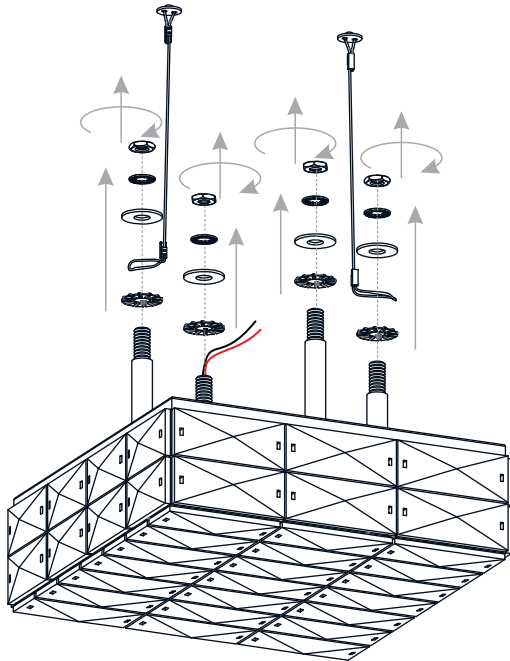
1 Install Frames and Side Tubes



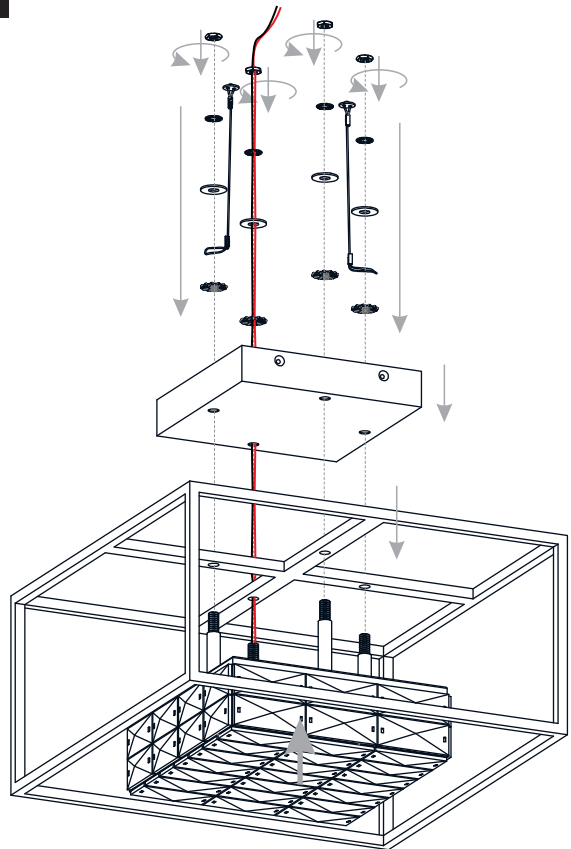
2 Install Rods



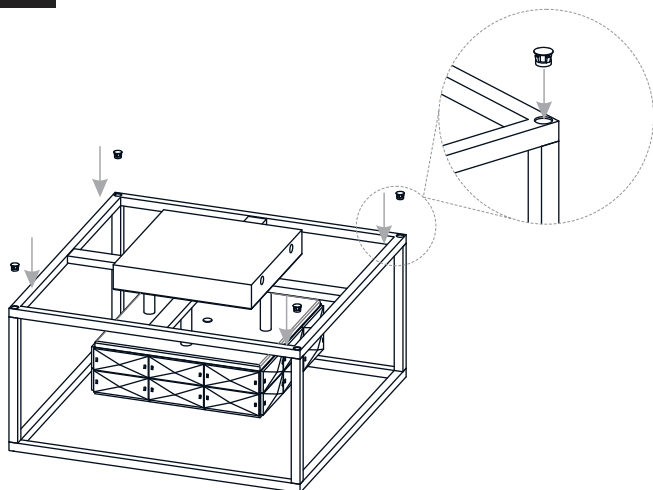
3 Remove Washers, Lanyard from Rods



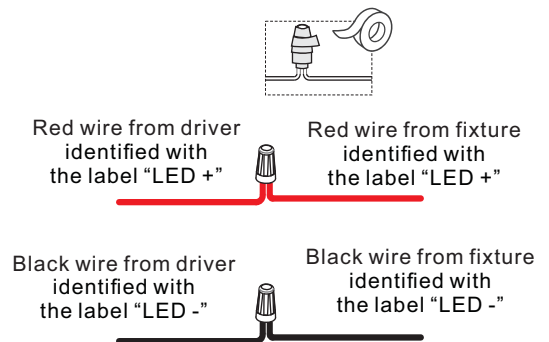
4 Install Cage and Ceiling Canopy



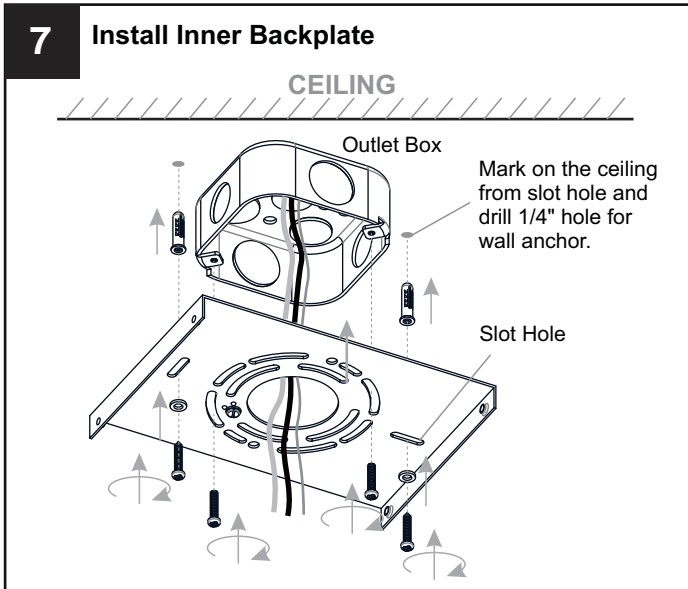
5 Insert Pipe Plugs To Top Frame



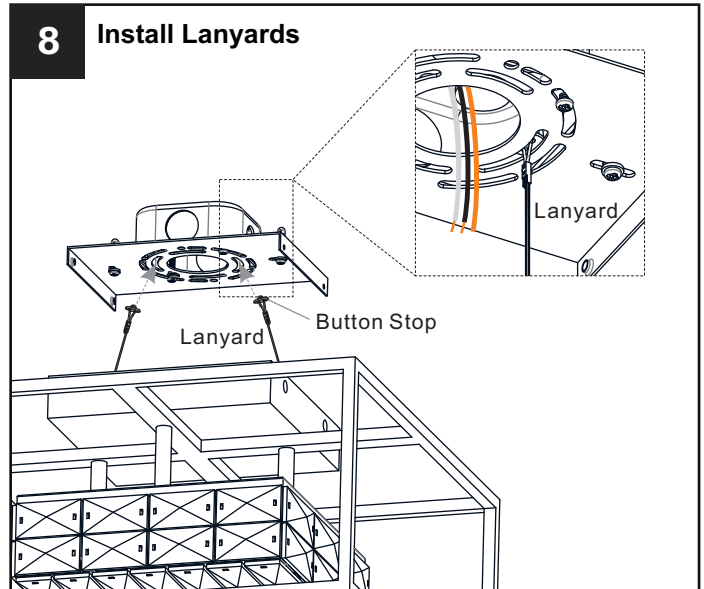
6 Connect Fixture Wires to Driver



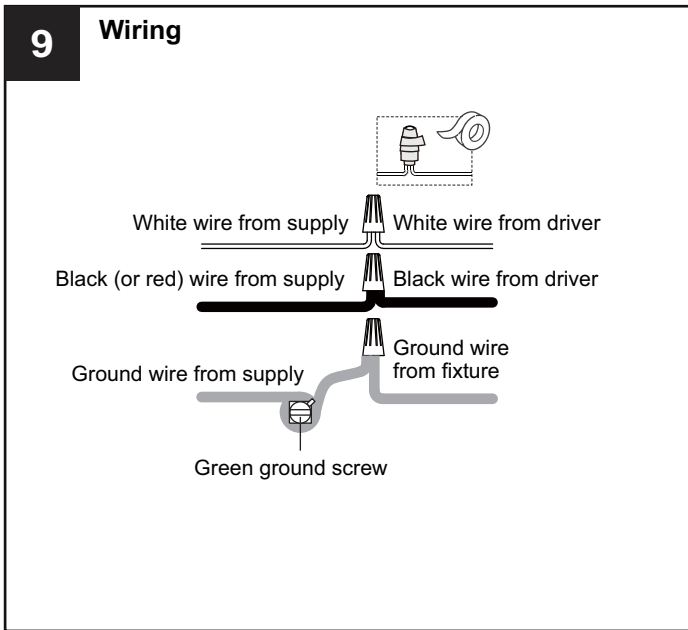
7 Install Inner Backplate



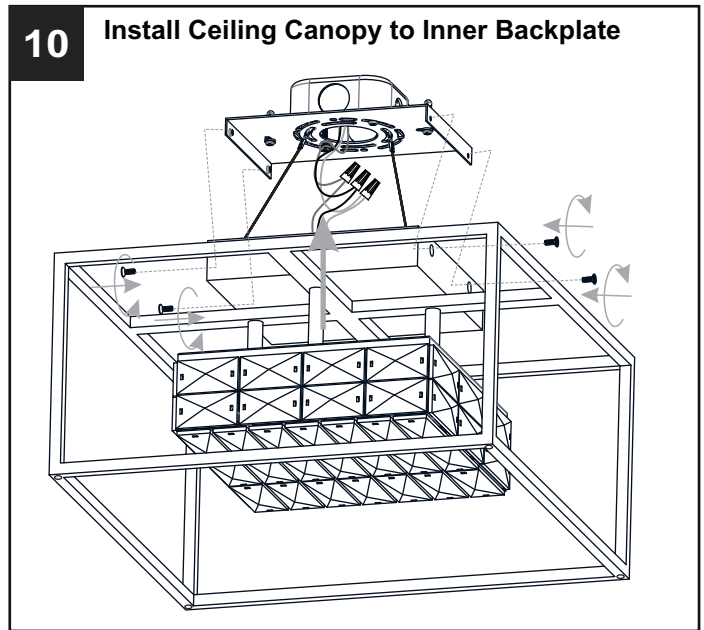
8 Install Lanyards



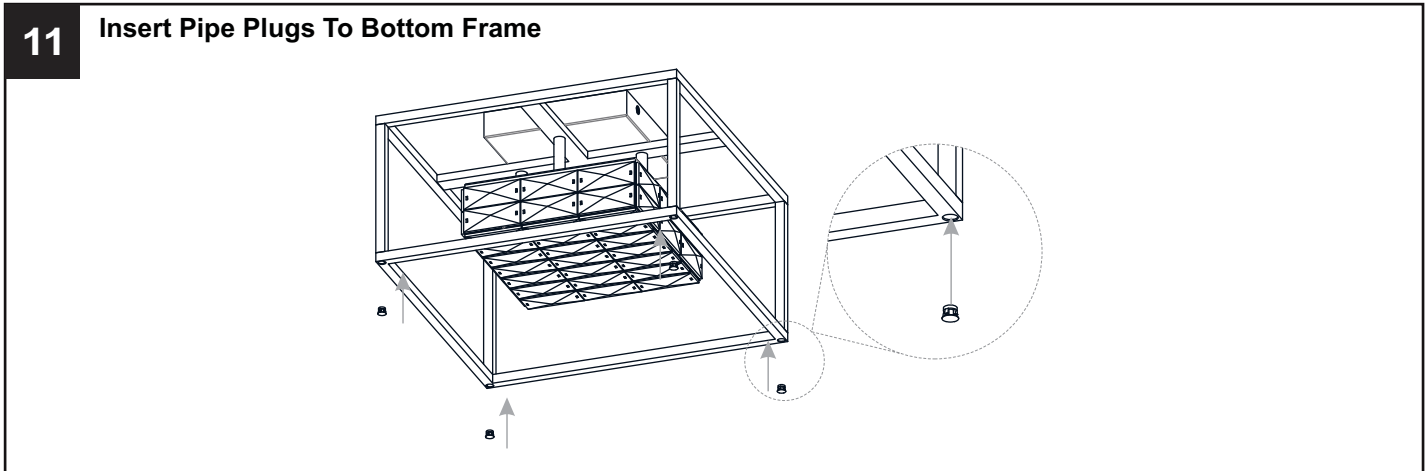
9 Wiring



10 Install Ceiling Canopy to Inner Backplate



11 Insert Pipe Plugs To Bottom Frame



Your installation is now complete! Restore electricity and save this sheet for future reference.