

shown in Gloss White
with 42" Barn Wood blades



Irene-3H

Designed in 2013



The Irene-3H ceiling-mount fan is rustic, yet strikingly modern with three neatly joined, solid wood matte black, matte white, walnut, or barn wood tone blades. A cylindrical motor housing complements its minimal profile. Irene-3H is streamline while still appearing warm and natural. Constructed of cast aluminum and heavy stamped steel, the Irene-3H has a limited lifetime warranty.

Product Features



DC
Motor



Damp
Location



Silent



Remote
Control



Wall
Control

shown in Polished Chrome with 52" Barn Wood blades

shown in Textured Bronze with 42" Walnut blades

shown in Brushed Bronze with 42" Barn Wood blades

shown in Matte Black with 42" Matte Black blades

shown in Brushed Brass with 60" Matte White blades

shown in Brushed Nickel with 42" Gray Ash blades

shown in Barn Wood with 60" Light Maple blades

shown in Light Maple with 42" Walnut blades

shown in Walnut with 42" Walnut blades

shown in Brushed Pewter with 42" Walnut blades

IRENE-3H

FINISH AND BLADE OPTIONS

SKU#	IR3H-XXXX-XXX-XX (Model+Finish+Blade+Diameter)	
Standard Finishes	Barn Wood	BW
	Brushed Brass	BRBR
	Brushed Bronze	BB
	Brushed Nickel	BN
	Brushed Pewter	BP
	Gloss White	WH
	Light Maple	LM
	Matte Black	BK
	Polished Chrome	CR
	Textured Bronze	TB
Walnut	WN	
Blade Finishes	Barn Wood Tone	BW
	Gray Ash	GA
	Light Maple	LM
	Matte Black	BK
	Matte White	MWH
Fan Diameter	42 inches / 107 cm	42
	52 inches / 132 cm	52
	60 inches / 152 cm	60

TECHNICAL SPECS

Fan Diameter	inches: 42, 52 or 60 centimeters: 107, 132 or 152
Blade Material	CNC Cut Solid Wood
Overall Drop	10 inches / 25 cm
Fan Weight	11 lbs
Voltage	110 or 220
Motor Type	DC
Environment	Damp locations for all finishes. Neither coastal, saltwater nor chlorine compatible.
Ambience	Silent
Safety Certification	ETL / CETL
Warranty	Limited Lifetime

NEW JAN 21, 2020 DOE MOTOR EFFICIENCY DATA

Fan Diameter	42 inch / 107 cm	52 inch / 132 cm	60 inch / 152 cm
RPM (Low / High)	51 / 231	51 / 193	52 / 155
CFM (Low / High)	746 / 3743	1254 / 5326	1755 / 5720
Watts (High)	17.61	32.38	32.08
CFM/Watt (High)	176	160	181
Blade Pitch	15°	15°	15°

STANDARD EQUIPMENT

Black 6-speed RF remote control with reverse

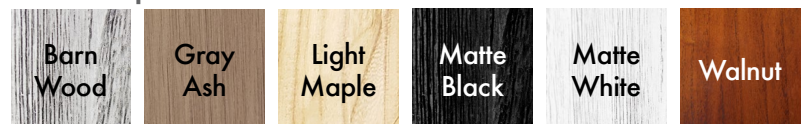


White wireless Decora-style, 6-speed, wall control with reverse



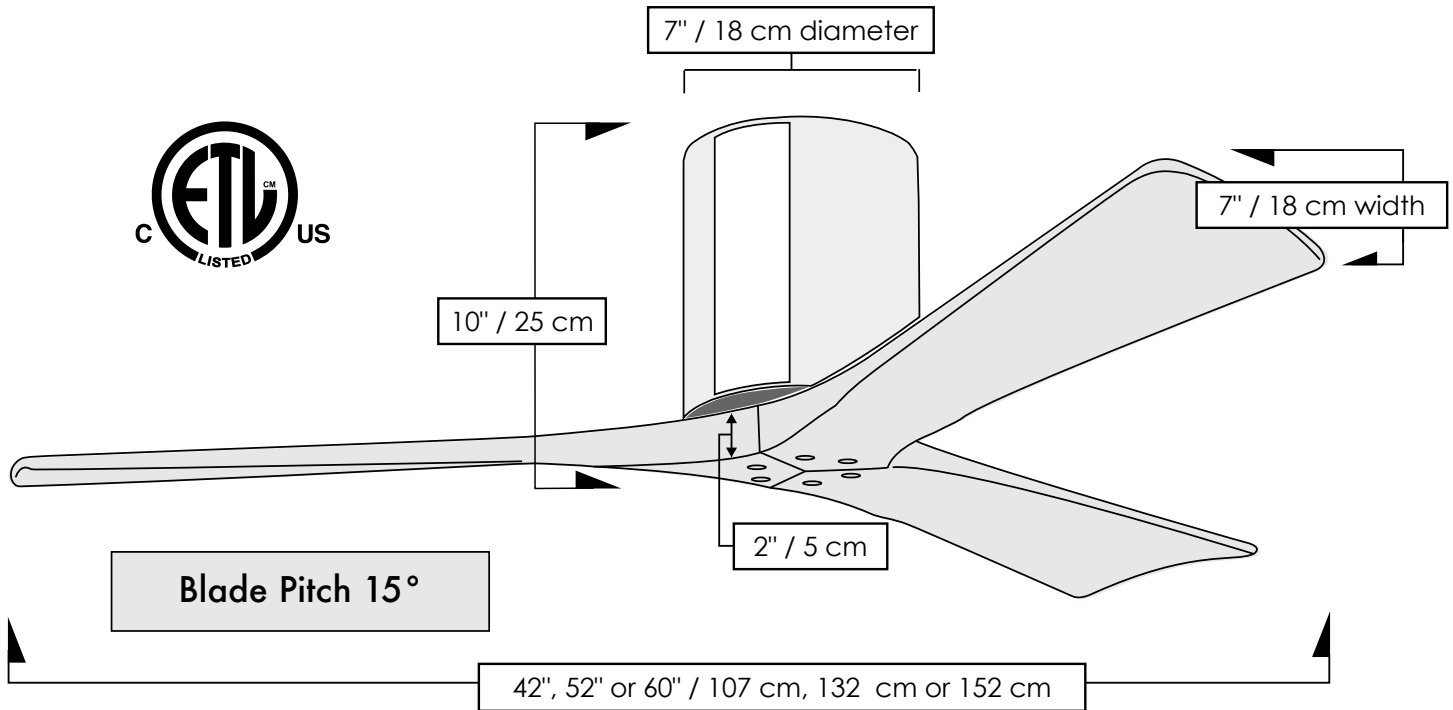
NOTE: Only compatible with included controllers.

Blade Options



Irene-3H

TECHNICAL SPECIFICATIONS



CEILING PITCH TABLE

0/12	0 degrees
1/12	4.76 degrees
2/12	9.46 degrees
3/12	14.04 degrees
4/12	18.43 degrees
5/12	22.62 degrees
6/12	26.57 degrees
7/12	30.26 degrees
8/12	33.69 degrees
9/12	36.87 degrees
10/12	39.81 degrees
11/12	42.51 degrees

CEILING HEIGHT TABLE

Suitable for ceiling heights 7'10" or greater

Matthews Fan Company

1881 Industrial Drive
 Libertyville, IL 60048
 Tele: 847.680.9043
 Fax: 847.680.8140
 www.matthewsfanco.com

© 2023 Matthews Fan Company. All rights reserved.

