

Please go to www.quirzel.com for product cleaning tips. Go to the **Care + Maintenance** selection.

Tools Required: Flathead screwdriver, Phillips screwdriver, pliers, wire cutters, wire strippers, electrical tape, safety glasses.

Light Source: (3) B10 Candelabra Base Bulbs 60W Maximum, Candelabra Base T8 Vintage Bulbs are recommended, bulbs not included.

Estimated Assembly Time: 20-30 minutes

Preparation: Identify and inspect all parts before beginning installation. Check package content list and diagrams below to ensure all parts are present. If any parts are missing or damaged, do not attempt to assemble, install, or operate the fixture. Contact your original place of purchase.

Fixture can only be mounted in the direction indicated on page 2.

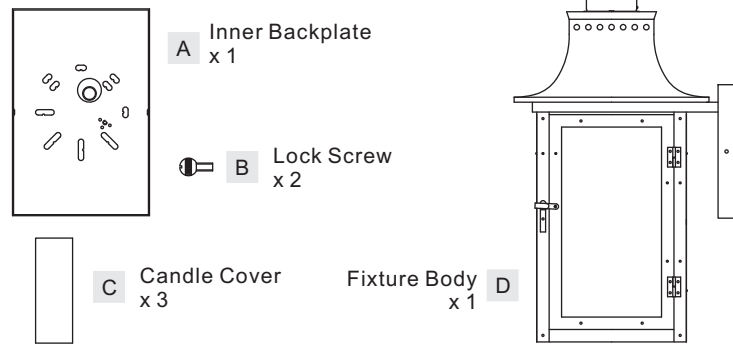
⚠ Warnings and Cautions

Turn off electricity at circuit breaker or main fuse box before installation. Consult a licensed electrician if in doubt.

These instructions are provided for your safety. It is very important you read them completely before installing the fixture. We strongly recommend that a licensed, professional electrician perform the installation.

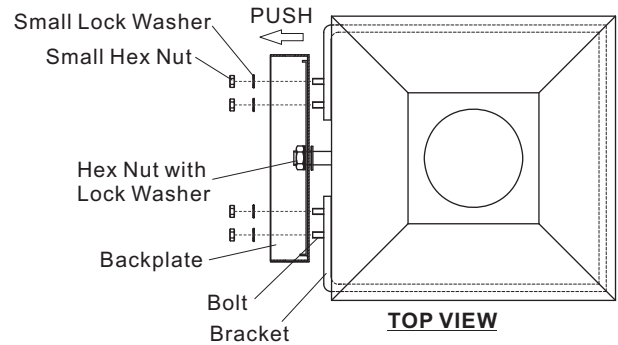
Disconnect fixture from power source before replacing bulbs. Make sure bulbs are given sufficient time to cool before removal.

Package Contents



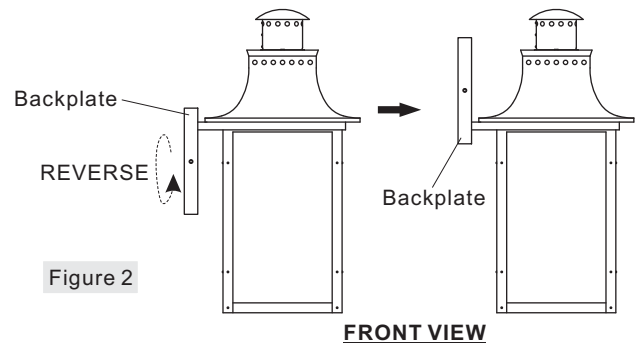
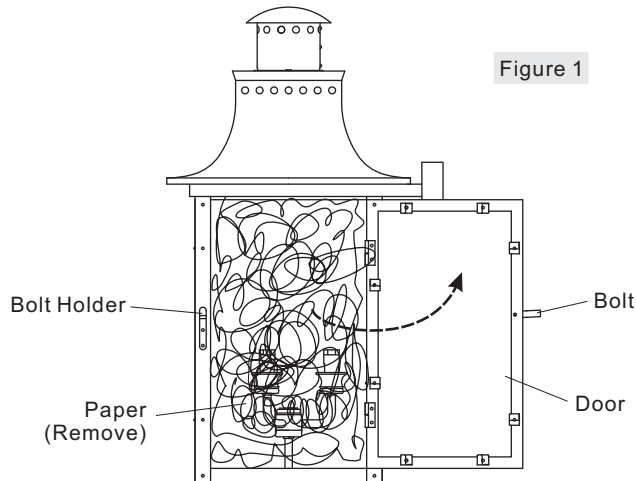
(Step 2 Continued)

previously removed small lock washers and small hex nuts. Hand tighten until snug.
E. Tighten the hex nut with lock washer and hand tighten until snug.



STEP 1 – Remove Papers Inside of the Cage

- A. Rotate the bolt and remove it from the bolt holder to open the door.
- B. Remove papers inside of the cage.
- C. Close the door and place the bolt back onto the bolt holder.

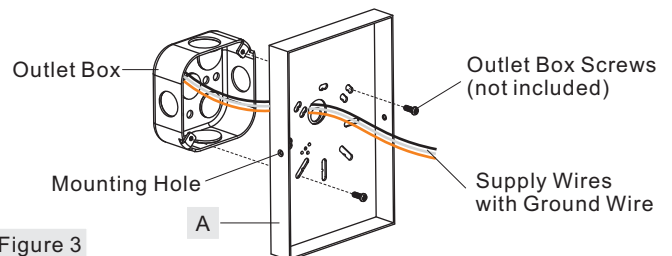


STEP 2 – Reverse backplate if necessary

- A. Remove small hex nuts and small lock washers from the back of the backplate.
- B. Loosen the hex nut with lock washer and do not remove them.
- C. Push the backplate as the arrow until the backplate and the bracket are separated. Reverse the backplate.
- D. Place the backplate back onto bolts on the bracket and secure with

STEP 3 – Installing the Inner Backplate

A. Pass the supply wires through the Inner Backplate (A). Attach the Inner Backplate (A) to the outlet box with two mounting holes on the side. Secure the Inner Backplate (A) with outlet box screws (not included). Tighten until snug.



STEP 4 - Wire Connections

- A. Wrap bare or green ground wire around green ground screw on the crossbar, no less than 2 inches from the end of the wire. Tighten the green ground screw.
- B. Use standard wire connectors (not included) to make all wire connections. Twist connectors until wires are tightly joined together. Wrap each connection with approved electrical tape and carefully stuff all the connected wires into the Outlet Box.

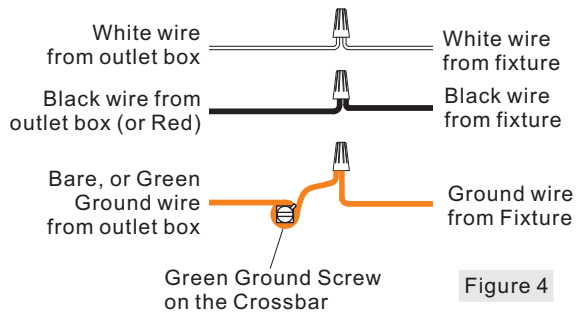


Figure 4

STEP 5 - Install the Fixture Body

- A. Place the backplate of the Fixture Body (D) onto the Inner Backplate (A) and secure with Lock Screws (B). Hand tighten until snug.

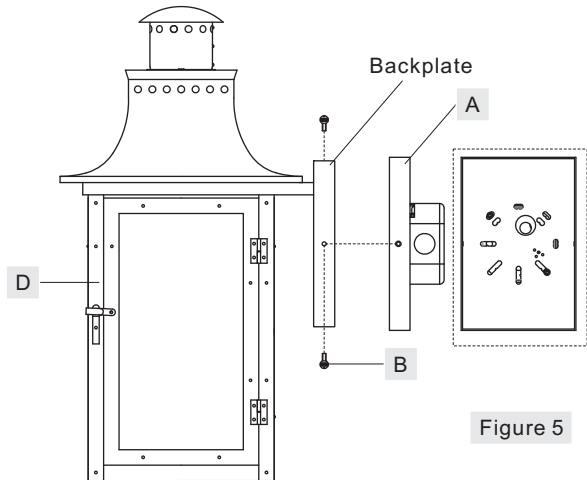


Figure 5

STEP 6 - Install Candle Covers and Bulbs

- A. Rotate the bolt and remove it from the bolt holder to open the door.
- B. Place Candle Covers (C) over sockets.
- C. Insert bulbs onto sockets and screw snugly into place.
- D. Close the door and place the bolt back onto the bolt holder.

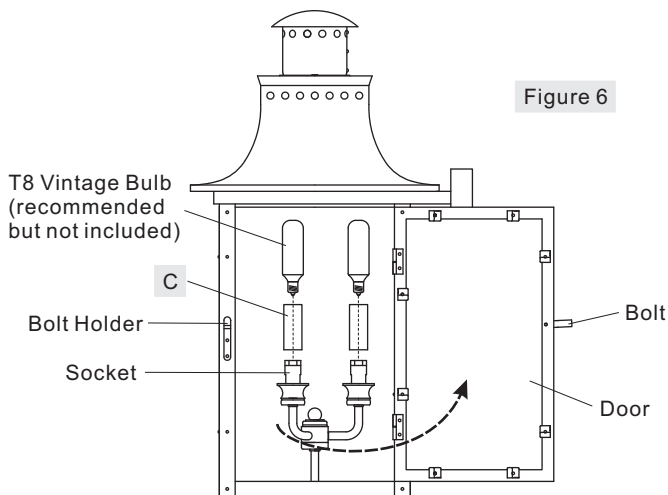


Figure 6

STEP 7 - Apply Silicone Sealer

- A. Make sure the exterior wall surface and fixture backplate are free of dirt before applying caulk. Using exterior grade caulk, caulk over top of backplate and down both sides. Do not caulk the bottom of the fixture backplate to ensure proper moisture drainage.

Your fixture is now assembled and ready to use. Enjoy!

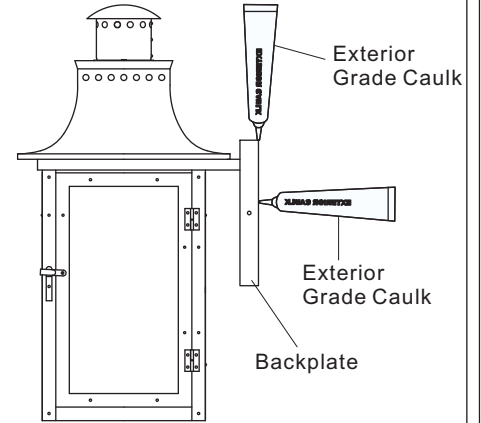


Figure 7

CM8412AC

FINISH: AGED COPPER

NOTE: ALL DIMENSIONS ARE ROUNDED UP TO THE NEAREST 1/4"

