

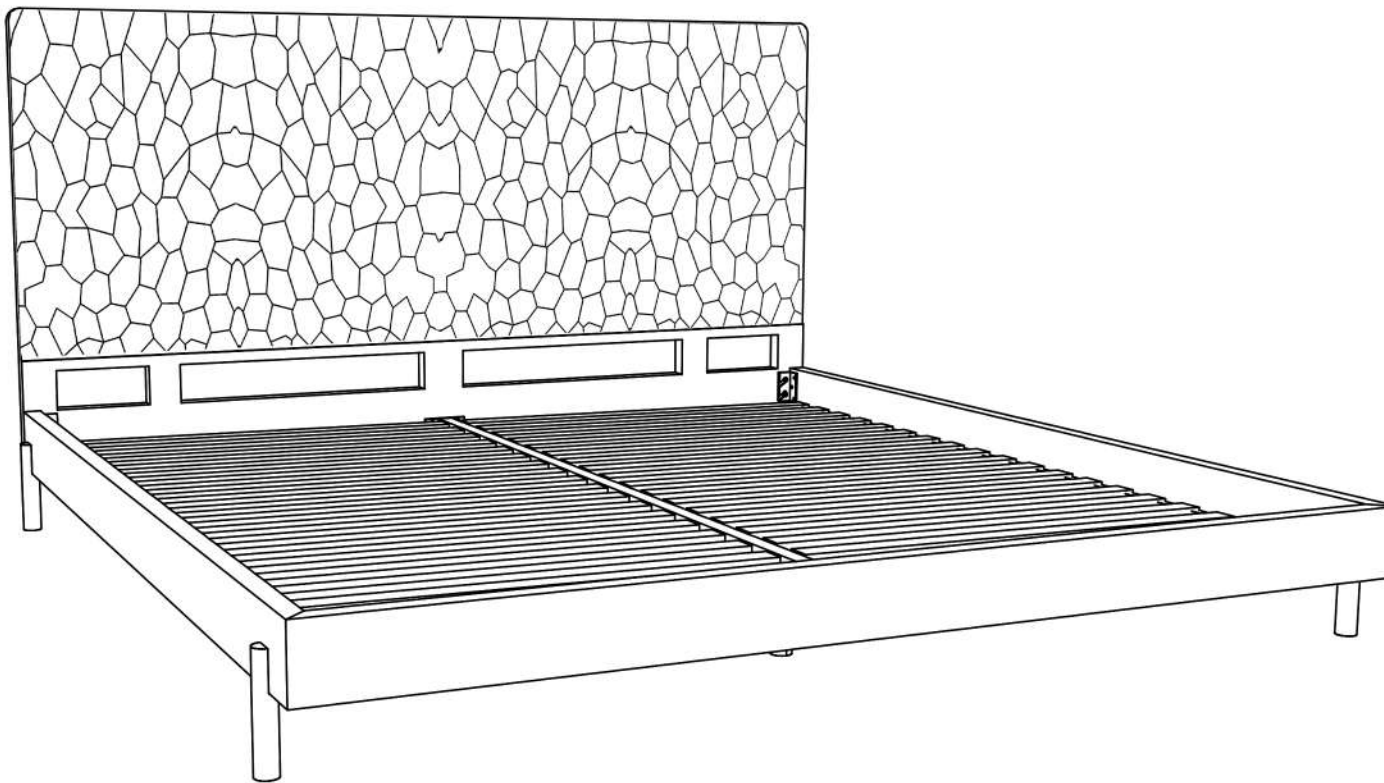
MOE'S

home collection

ASSEMBLY INSTRUCTIONS.

MISAKI KING BED NATURAL

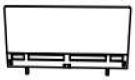




GZ-1161-24-0




THANK YOU FOR YOUR PURCHASE!

PARTS AND HARDWARE

PARTS LIST

No.	DESCRIPTION	IMAGE	QTY
1.	BED HEAD		01
2.	SIDE RAILS		02
3.	BACK REST		01
4.	CENTER RAILS		01
5.	SLATS		02

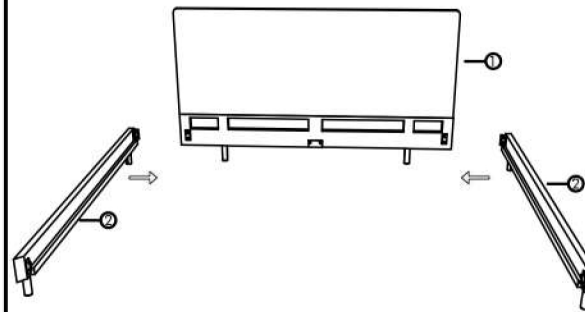
HARDWARE LIST

No.	DESCRIPTION	IMAGE	QTY
1.	ALLEN KEY (5 MM)		01

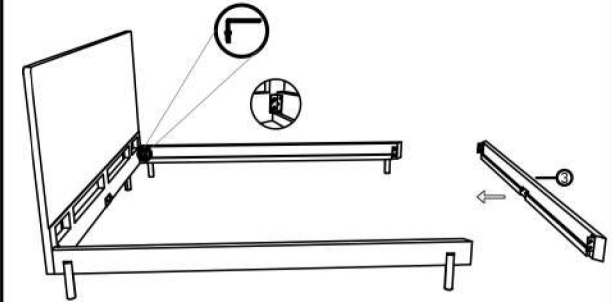
Thank you for purchasing this quality product ! Be sure to check all packing material carefully for small part that may have come loose inside the carton during shipping.

CAUTION: The item is heavy, assembly should be performed by two people.

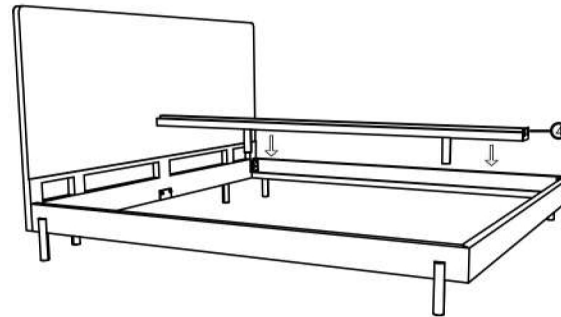
STEP 1.



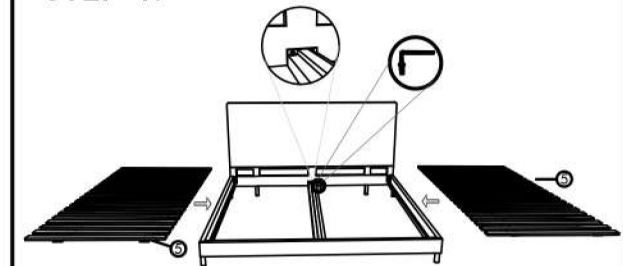
STEP 2.



STEP 3.



STEP 4.



STEP 5.

