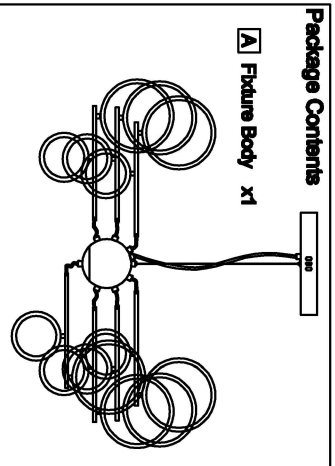


Assembly Instruction Sheet #IS-1054 P31 For Style 1054P31

Tools Required: Flathead screwdriver, Phillips screwdriver, pliers, wire cutters, wire strippers, electrical tape, safety glasses.
Light Source: (19) 120V LED 99W DIMMABLE (9000K)
Estimated Assembly Time: 10-20 minutes
Preparation: Identify and inspect all parts before beginning installation. Check package content list and diagrams below to be sure all parts are present. If any parts are missing or damaged, do not attempt to assemble, install, or operate the fixture. Contact customer service for replacement parts.

Warnings and Cautions
 Turn off electricity at circuit breaker or main fuse box before installation. Consult a licensed electrician if in doubt.
 These instructions are provided for your safety. It is very important you read them completely before installing the fixture.
 We strongly recommend that a licensed, professional electrician perform the installation.
 Disconnect fixture from power source before replacing bulbs. Make sure bulbs are given sufficient time to cool before removal.

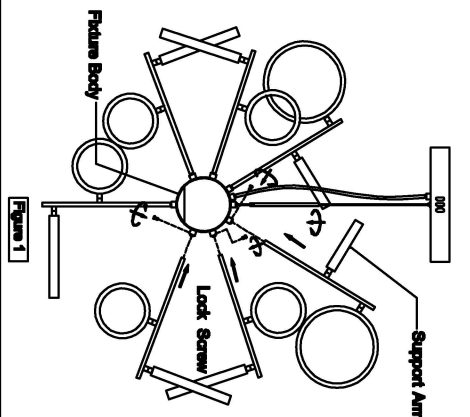


Hardware Contents

PART	DESCRIPTION	QUANTITY
AA	Decorative Capse	2pcs
BB	Electrical Nuts	2pcs
CC	Outlet Box Screw	2pcs
DD	Mounting Screw	2pcs
EE	Crossbar	1pcs

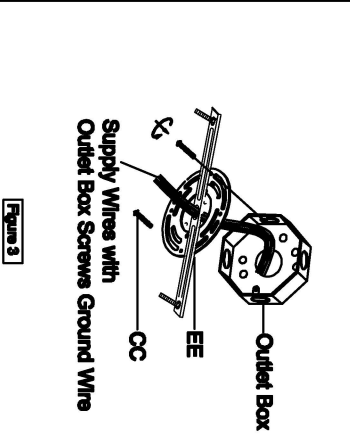
STEP 1 - Install Support Arm.
 A. Stuff the wire into the Arm, then insert the Arm into the holes on the Fixture Body accordingly tighter than together with screws.

(Step 1 Continued)

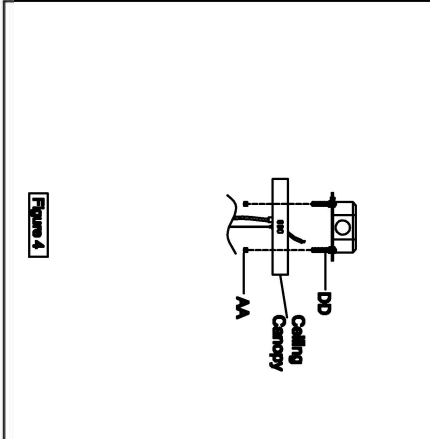


STEP 2 - Attach Mounting Screws, Lock Washers and Hex Nuts to Crossbar.
 A. Line up a set of holes on the Crossbar (EE) and Holes on the calling canopy.
 Thread Mounting Screws (DD) into the holes on the Crossbar (EE). Pass Lock Washers and Thread Hex Nuts onto the Mounting Screws (DD). Hand tighten until snug.

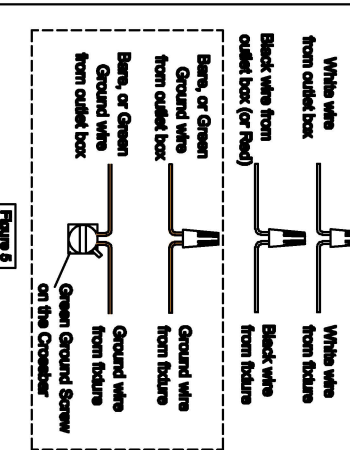
STEP 3 - Attach Crossbar to Outlet Box.
 A. Pass the supply wires through the Crossbar (EE). Attach the Crossbar (EE) to the Outlet Box (OC) with the head of the Green Ground Screw (CC) facing you. Secure it with Outlet Box Screws (not included). Tighten until snug.



STEP 4 - Fit Calling Canopy to Crossbar Assembly
 A. Fit the calling canopy to mounting screws (DD) and secure with Decorative Capse (AA). Note: The calling canopy should be snug against the calling and the Decorative Capse (AA). If not, adjust the length of the Mounting Screws (DD) by unscrewing the Hex Nut and Lock Washer and then screwing Mounting Screws (DD) in or out of the Crossbar (EE) until the correct length is achieved. Once the calling canopy is secure, remove the Decorative Capse (AA) and hand tighten until snug.



STEP 5 - Wire Connections
 A. Use standard wire connectors (not included) to make all wire connections. Twist connectors until wires are tightly joined together. Wrap each connection with approved electrical tape and carefully stuff all the connected wires into the Outlet Box.



STEP 6 - Install Calling Canopy to Calling
 A. Carefully tuck all wires into the outlet box and position the calling canopy of the Fixture Body (A) over the outlet box. Align the holes in the calling canopy with the Mounting Screws (DD). Secure with Decorative Capse (AA) and hand tighten until snug.

