



Outdoor Low Profile Light Kit

Owner's Guide and Installation Manual
Manual De Propietario



English

Español

Form# 43545-01
20090514
©2009 Hunter Fan Co.

SINCE 1886
Hunter®

Welcome

Your new Hunter® light kit is an addition to your home or office that will provide comfort and performance for many years. This installation and operation manual gives you complete instructions for installing and operating your light kit.

We are proud of our work. We appreciate the opportunity to supply you with the best products available anywhere in the world.

Before installing your light kit, for your records and warranty assistance, record information from the carton and Hunter nameplate label.

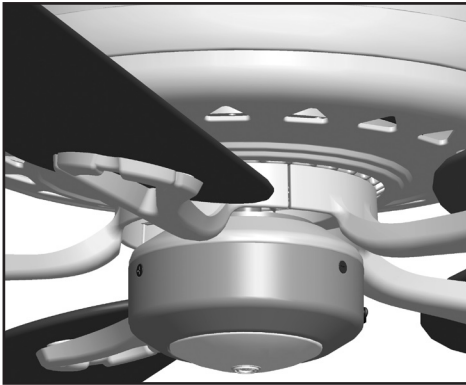
Cautions and Warnings

- **READ THIS ENTIRE MANUAL CAREFULLY BEFORE BEGINNING INSTALLATION. SAVE THESE INSTRUCTIONS.**
- Use only Hunter replacement parts.
- To reduce the risk of personal injury, install this light fixture only on Hunter® fan types A through Z. **Note:** The fan type can be found on the ceiling fan package or on the nameplate label located on top of the motor housing of the ceiling fan.
- To avoid possible electrical shock, before installing light fixtures, disconnect the power by turning off the circuit breakers both to the outlet box and to its associated wall switch location. If you cannot lock the circuit breakers in the off position, securely fasten a prominent warning device, such as a tag, to the service panel.
- Connect house wiring to the fan before attaching the light fixture to the fan.
- All wiring must be in accordance with national and local electrical codes and ANSI/NFPA 70. If you are unfamiliar with wiring, use a qualified electrician.

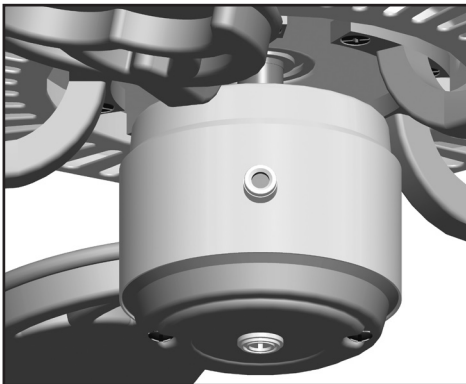
Table Of Contents

- 1 • Installing the Light Kit on a Removable Switch Housing..... 4
- 2 • Installing the Light Kit on a Non-Removable Switch Housing..... 6
- 3 • Installing the Light Kit on the Hunter Original 8
- 4 • Installing Bulbs, Chain, and Globe... 9
- 5 • Troubleshooting..... 10

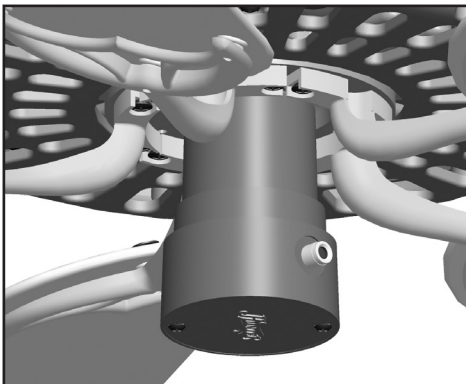
Installation Methods of Hunter® Ceiling Fans Type A-Z



Removable Switch Housing



Non-removable Switch Housing



The Hunter Original

Your *Hunter*® light kit can be installed in one of three ways. The steps in this manual include instructions for all three installation methods: Installation on fans with removeable switch housings, fans with non-removeable switch housings, and The Hunter Original.

Preparing the Light Kit:

1. Disconnect power by turning off the circuit breakers both to the outlet box and to its associated wall switch location.

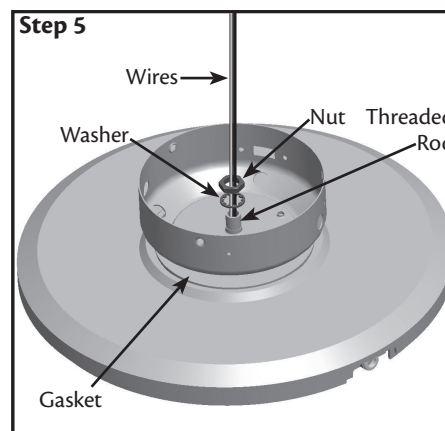
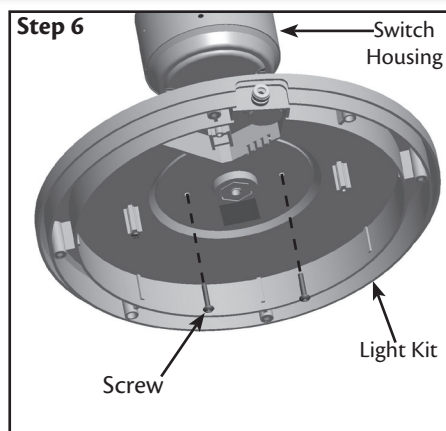
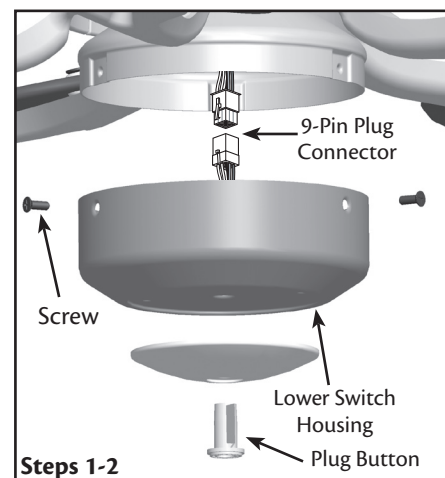
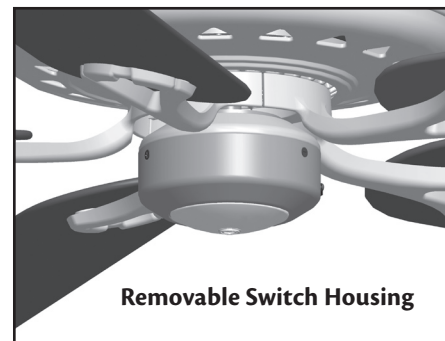
1 • Installing the Light Kit on Fans With Removable Switch Housings

1. Unscrew the three screws from the upper switch housing. Disconnect the 9-pin plug connectors. Remove the lower switch housing.
2. Push the plug button from inside the lower switch housing to remove the plug button and switch housing cap.

NOTE: Save the plug button and switch housing cap should you choose to remove the light fixture in the future.

3. Ensure the gasket is in place on the light kit mounting plate. Feed the two wires from the light kit up through the center hole in the gasket and the lower switch housing.
4. Align the keyholes of the light kit and the holes in the gasket and the screw holes of the lower switch housing.
5. Install the nut and washer onto the threaded rod from the light kit to secure the lower switch housing.
6. Finish attaching the light kit to the lower switch housing using the two attachment screws removed from the lower switch housing and the lock washers on the red tag. Partially install the screws into the light kit and the housing. Rotate the housing counterclockwise until the screws are locked into the narrow ends of the keyhole slots. Securely tighten the two screws. The gasket should now be sandwiched securely between the light kit assembly and the switch housing assembly.

WARNING: Improper installation could cause the light fixture to fall.



1 • Installing the Light Kit on Fans With Removable Switch Housings (Continued)

7. Remove the wire connectors from the two wires in the switch housing labeled "Connect Light Here" or "For Light Use."

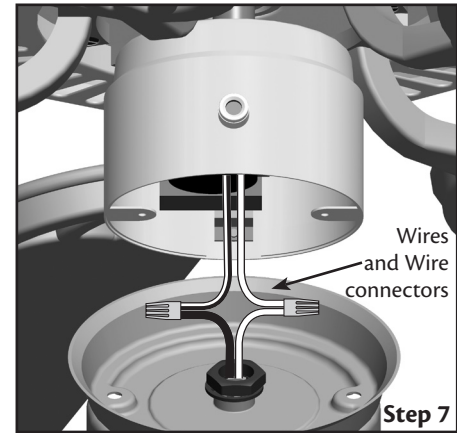
To connect the wires, hold the bare metal leads together and place a wire connector over them, then twist the wire connector clockwise until tight.

Connect the black wire with a white stripe from the switch housing to the black wire from the light kit. Connect the white wire from the switch housing to the white wire from the light kit. Secure all wire connections using wire connectors.

8. Reconnect the 9-pin plug connector.

⚠ CAUTION: Be sure no bare metal wires or wire strands are visible after making the connections.

9. Install screws to reattach the lower switch housing to the upper switch housing.
10. Go to the instructions for installing the bulbs and globe.



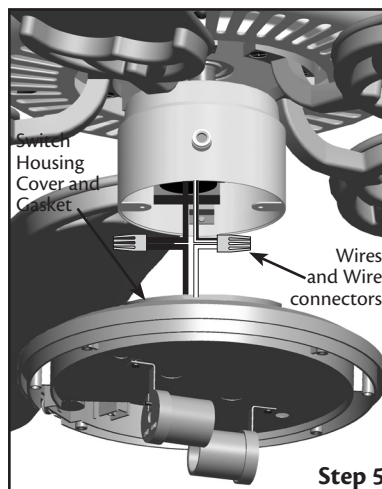
2 • Installing the Light Kit on Fans With Non-Removable Switch Housing

1. Uninstall the two attachment screws from the switch housing cover.
2. Remove the plug or screw from the center of the switch housing cover.
3. Ensure the gasket is in place on the light kit mounting plate. Thread the switch housing cover onto the wires from the light kit. Align the large ends of the keyholes in the light kit with the screw holes in the switch housing cover. The gasket should now be sandwiched securely between the light kit mounting plate and the switch housing cover. Install the nut and washer onto the threaded rod from the light kit to secure the switch housing cover.
4. Finish attaching the light kit to the switch housing cover using the two attachment screws removed from the lower switch housing and the lock washers on the red tag. Partially install the screws into the light kit and the housing. Rotate the housing counterclockwise until the screws are locked into the narrow ends of the keyhole slots. Securely tighten the two screws.
5. Remove the wire connectors from the two wires in the switch housing labeled "Connect Light Here" or "For Light Use." One wire is white and the other wire is black with a white stripe.

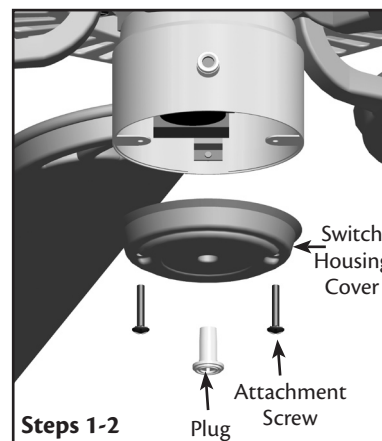
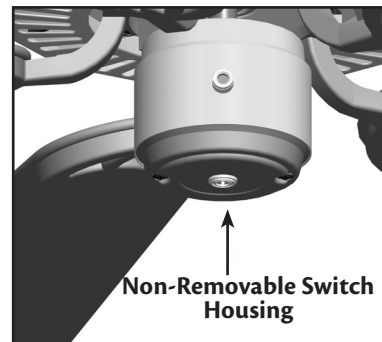
To connect the wires, hold the bare metal leads together and place a wire connector over them, then twist the wire connector clockwise until tight. Connect the black wire with a white stripe from the switch housing to the black wire from the light kit. Connect the white wire from the switch housing to the white wire from the light kit. Secure all wire connections using wire connectors previously removed.

⚠ CAUTION: Be sure no bare metal wires or wire strands are visible after making the connections.

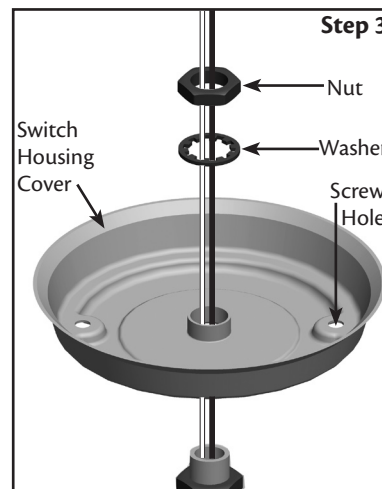
⚠ WARNING: Improper installation could cause the light fixture to fall.



Step 5



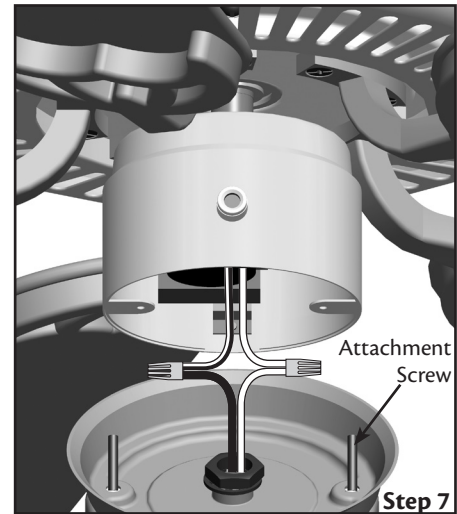
Steps 1-2



Step 3

2 • Installing the Light Kit on a Non-Removable Switch Housing (cont.)

6. Align the locator posts in the switch housing cover with the screw holes in the switch housing.
7. Align the threaded screw holes in the switch housing cover with the threaded holes in the switch housing and install two screws.
8. Go to the instructions for Installing the Bulbs, Chains, and Globe.



3 • Installing the Light Kit on the Hunter Original

1. Uninstall the two screws from the switch housing plate.

NOTE: Save the switch housing cap should you choose to remove the light fixture in the future.

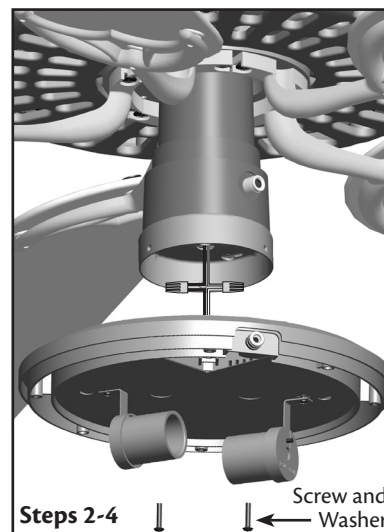
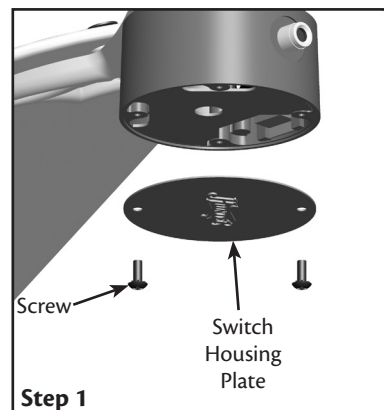
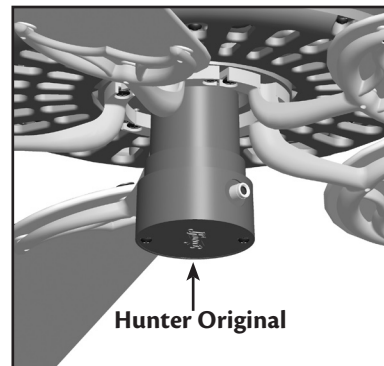
2. Remove the wire connectors from the two wires in the switch housing labeled “Connect Light Here” or “For Light Use.” One wire is white and the other wire is black wire with a white stripe.

To connect the wires, hold the bare metal leads together and place a wire connector over them, then twist the wire connector clockwise until tight. Connect the black wire with a white stripe from the switch housing to the black wire from the light kit. Connect the white wire from the switch housing to the white wire from the light kit. Secure all wire connections using wire connectors.

CAUTION: Be sure no bare metal wires or wire strands are visible after making the connections.

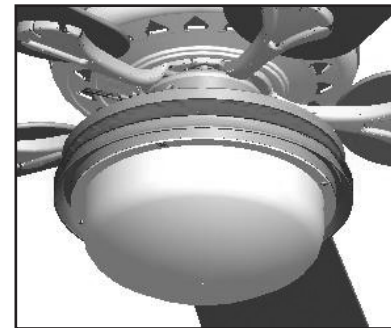
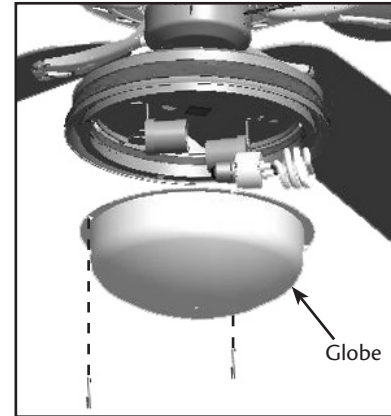
3. Ensure that the gasket is resting on the light kit mounting plate. Finish attaching the light kit to the switch housing. Use the two screws removed from the switch housing and the lock washers on the red tag. Partially install the screws into the light kit, the gasket, and the housing. Rotate the light fixture clockwise until the screws are locked into the narrow ends of the keyhole slots. Securely tighten the two screws.
4. Securely tighten the two screws.
5. Go to the instructions for Installing the Bulbs, and Globe.

WARNING: Improper installation could cause the light fixture to fall, or result in electrical shock or personal injury.



4 • Installing the Bulbs, Chain, and Globe

1. First, install the included CFL medium-based bulbs.
2. Loosen the three thumbscrews on the lower edge of the light kit. Raise the glass globe into the light kit. Thread the pull chain through the hole in the center of the globe. Tighten the three thumbscrews.
3. The installation is complete and you can restore power to the ceiling fan.



CFL Bulb
(included)

5 • Troubleshooting

Light does not come on.

1. Make sure bulbs are installed properly.
2. Make sure breakers or fuses are on.
3. Verify that the light power lead is connected at the ceiling. Refer to your ceiling fan manual for locating assembly and wiring.

Glass rattles.

1. Make sure the globe is secure.

If you need parts or service assistance, please call 888-830-1326 or visit us at our Web site at <http://www.hunterfan.com>.

Hunter Fan Company
7130 Goodlett Farms Pkwy. # 400
Memphis, Tennessee 38016

This Light Fixture Weighs 6 lbs.

Printed in China