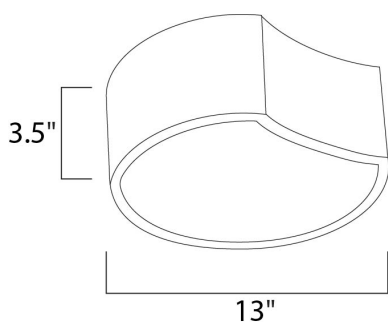


PRODUCT DESCRIPTION

Intersecting circles form a collage of LED luminaires that become the focal point of the room. The collection features two pendants, as well as three sizes of modular ceiling fixtures in Matte White which can link together to form an artful array of light. The Cells collection is a modular system that allows for one unit to install on a powered outlet and up to 9 additional units of your choice to be added to the original module with the additional wire included inside each fixture. The additional wire moves from fixture to fixture through knockouts on the side. This system allows the user to create a sculpture of light on ceiling sure to become the focal point in the room.



MEASUREMENTS

DIMENSION : 13" L x 13" W x 3.5" H
HANGING WEIGHT : 4.2 lb

LAMPING

INPUT VOLTAGE : 120V
LUMENS : 1,512 Rated
BULB : 1 x 21.6W LED PCB Integrated , 22W Total
BULB INCLUDED : (Integrated)
DIMMABLE : Triac CL
CRI : 80+ CRI
COLOR_TEMP : 3000K

FINISHES OPTION

 Matte White

GLASS

Matte White 11

MATERIAL

Steel, Acrylic

RATINGS

cETLus
Dry Location



ADDITIONAL

OPERATING TEMPERATURE:
-20°C (-4°F), 40°C (104°F)

Always consult a qualified electrician before installing any lighting product.



Contemporary
Lighting™

WESTERN DISTRIBUTION CENTER (HEADQUARTER)
253 NORTH VINELAND AVE | CITY OF INDUSTRY, CA 91746

EASTERN DISTRIBUTION CENTER
4200 SHIRLEY DR. | ATLANTA, GA 30336

P. 626.956.4200 | F. 626.956.4225 | et2online.com