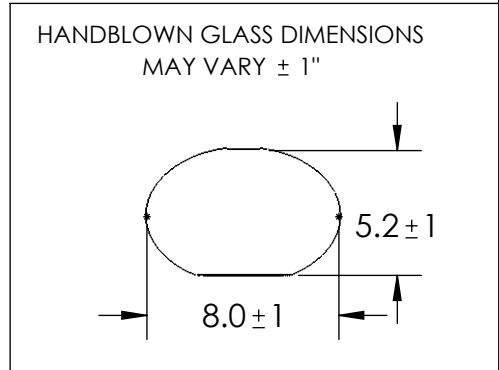
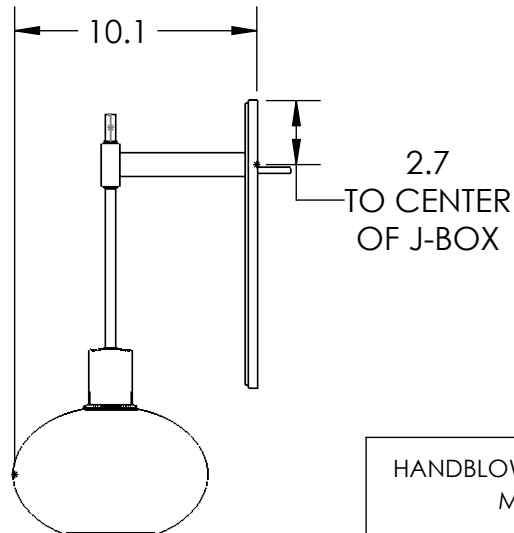
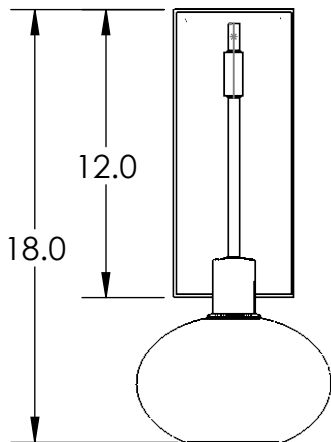
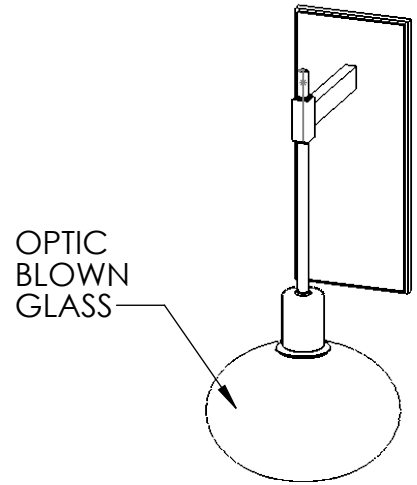
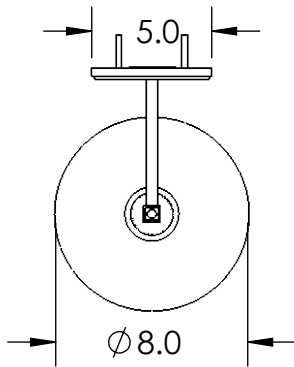


Collection: COPPA

Product #: IDB0036-18



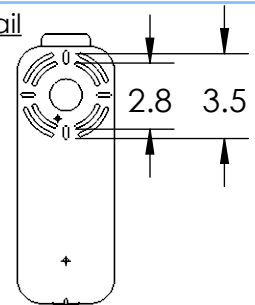
All dimensions are shown in inches unless otherwise stated.  
Visit [hammertonstudio.com](http://hammertonstudio.com) for product options and specifications.

Bulbs Not Included

8/17/2020 (A)

Mounting Packet: N	Electrical Type: INCANDESCENT
Approximate lbs.: 8	Bulb Qty: 1 Bulb Type: A
Finish: SEE WEB SITE FOR OPTIONS	Wattage: 40 Voltage: 120
Top Diffuser: N/A	Socket Type: MEDIUM, E26 BASE
Bottom Diffuser: OPEN	UL Location: DRY

Mounting Detail



MOUNTS DIRECTLY TO J-BOX

All Hammerton fixtures are handcrafted by artisans. Subtle imperfections reflect the mark of the artisan and should be expected in any handcrafted product. Dimensions may vary up to 7/8".

© Copyright 2020. All rights in design, detail or invention of this drawing are reserved as the property of Hammerton. Any imitation or adaptation without written consent is strictly prohibited.

Hammerton Inc. 217 Wright Brothers Dr. Salt Lake City, UT 84116 (801)973-8095