

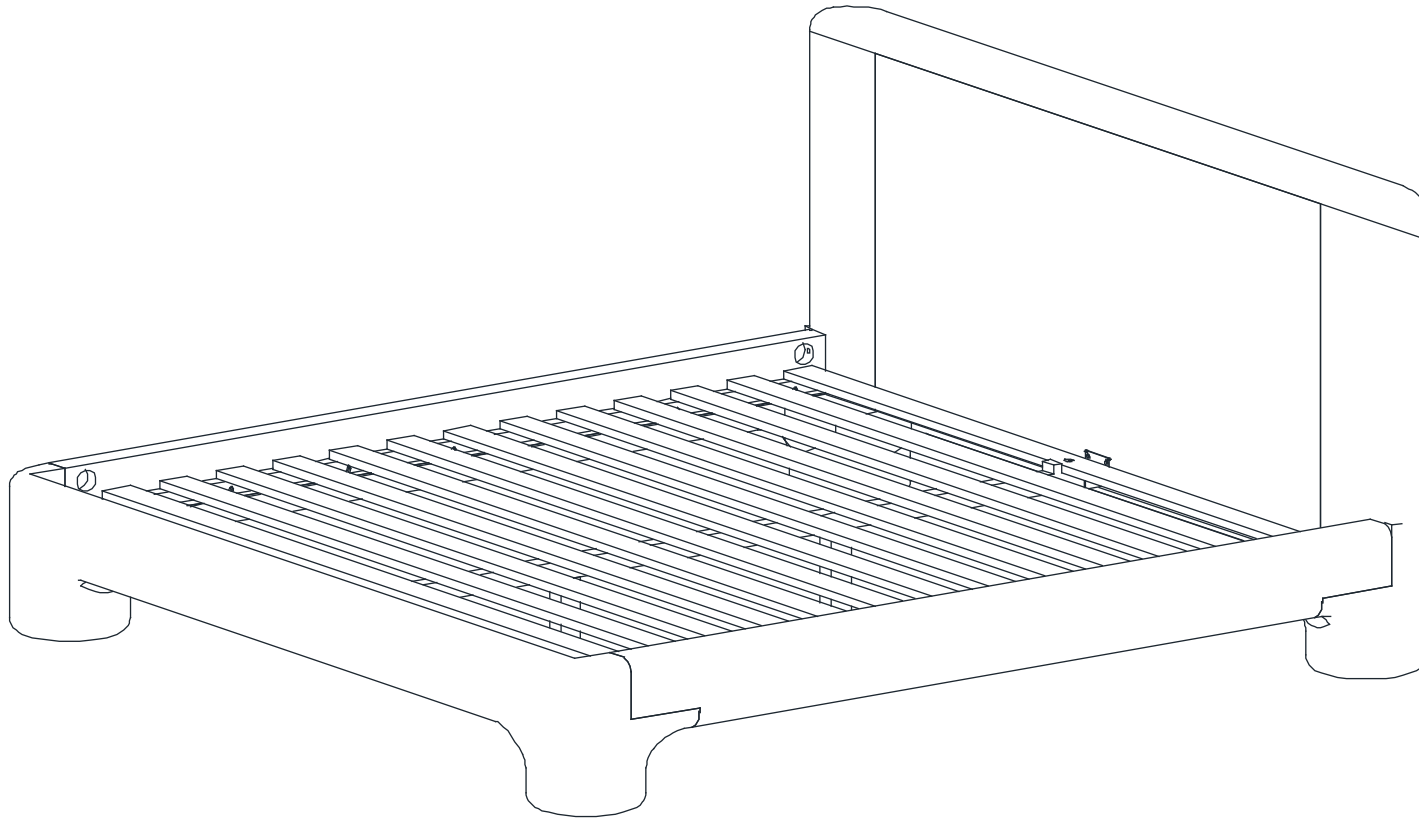
MOE'S

home collection

ASSEMBLY INSTRUCTIONS .

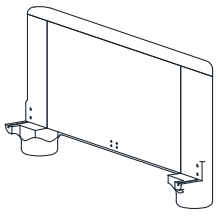
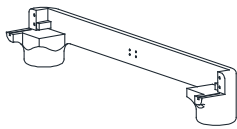
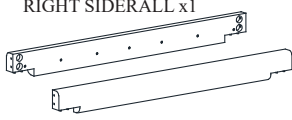



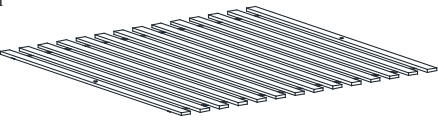
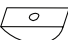







ROWAN BED KING DARK BROWN

YR-1018-20



THANK YOU FOR YOUR PURCHASE !

PARTS AND HARDWARE .

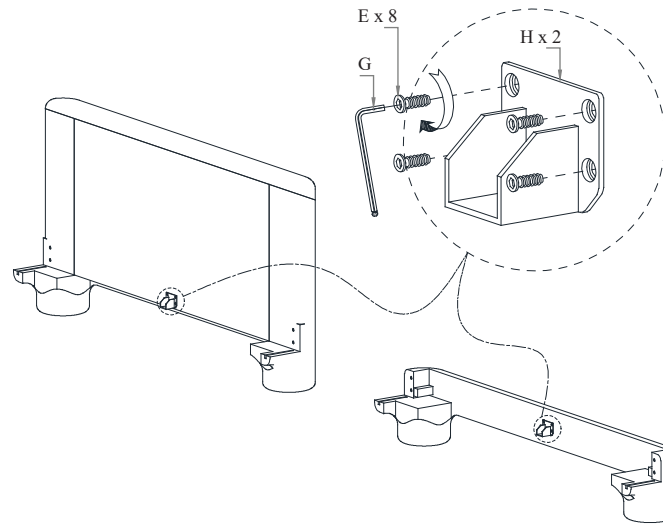
1. HEADBOARD x 1 	2. FOOTBOARD x 1 
3. LEFT SIDERAIL x 1 RIGHT SIDERAIL x 1 	4. SUPPORT x 2 
5. SUPPORT BAR x 1 	6. SUPPORT LEG x 2 
7. SLAT x 1 	
A. HALF MOON x 8PCS 	B. HEX NUT M8 x 8PCS 
C. WRENCH M13 x 1PC 	D. THREAD BOLT (M8x80mm) x 8PCS 
E. BOLT (M6x15mm) x 8PCS 	F. BOLT (M6x40mm) x 18PCS 
G. ALLEN KEY M4 x 1PC 	H. U BRACKET x 2PCS 

NOTES.

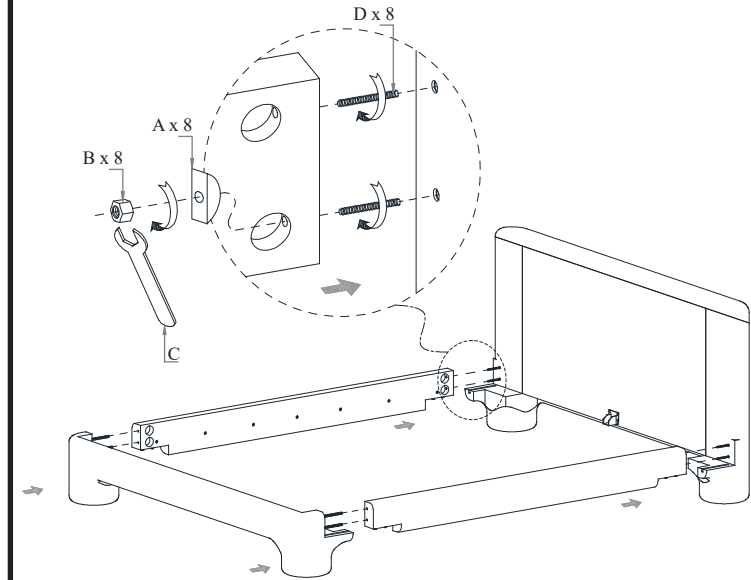
Thank you for purchasing this quality product !
Be sure to check all packing material carefully for small part that may have come loose inside the carton during shipping.

CAUTION: The item is heavy, assembly should be performed by two people.

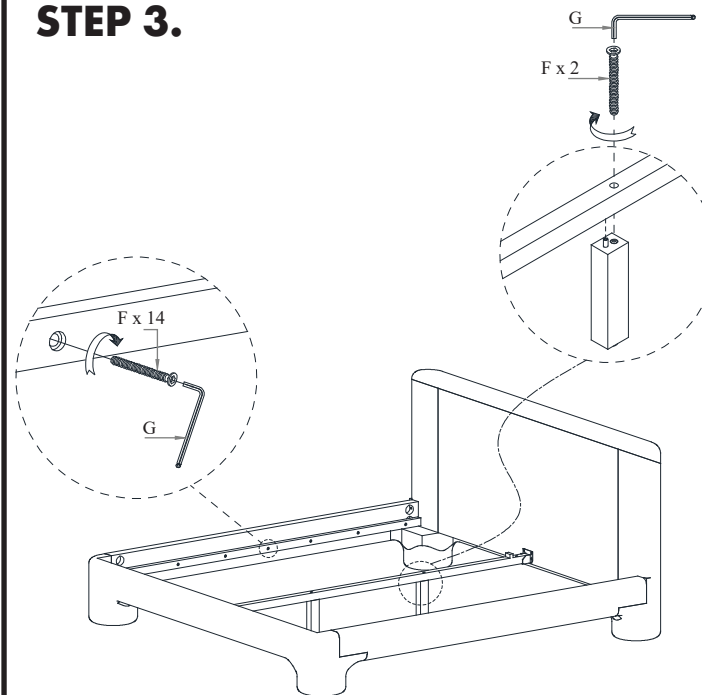
STEP 1.



STEP 2.



STEP 3.



STEP 4.

