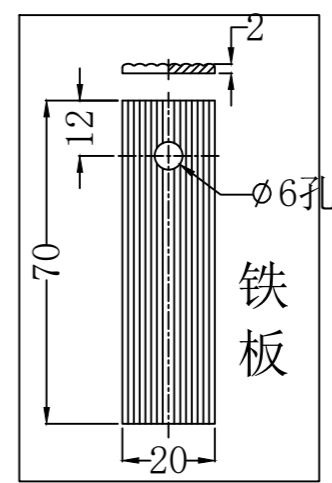


283 [11 1/8"]

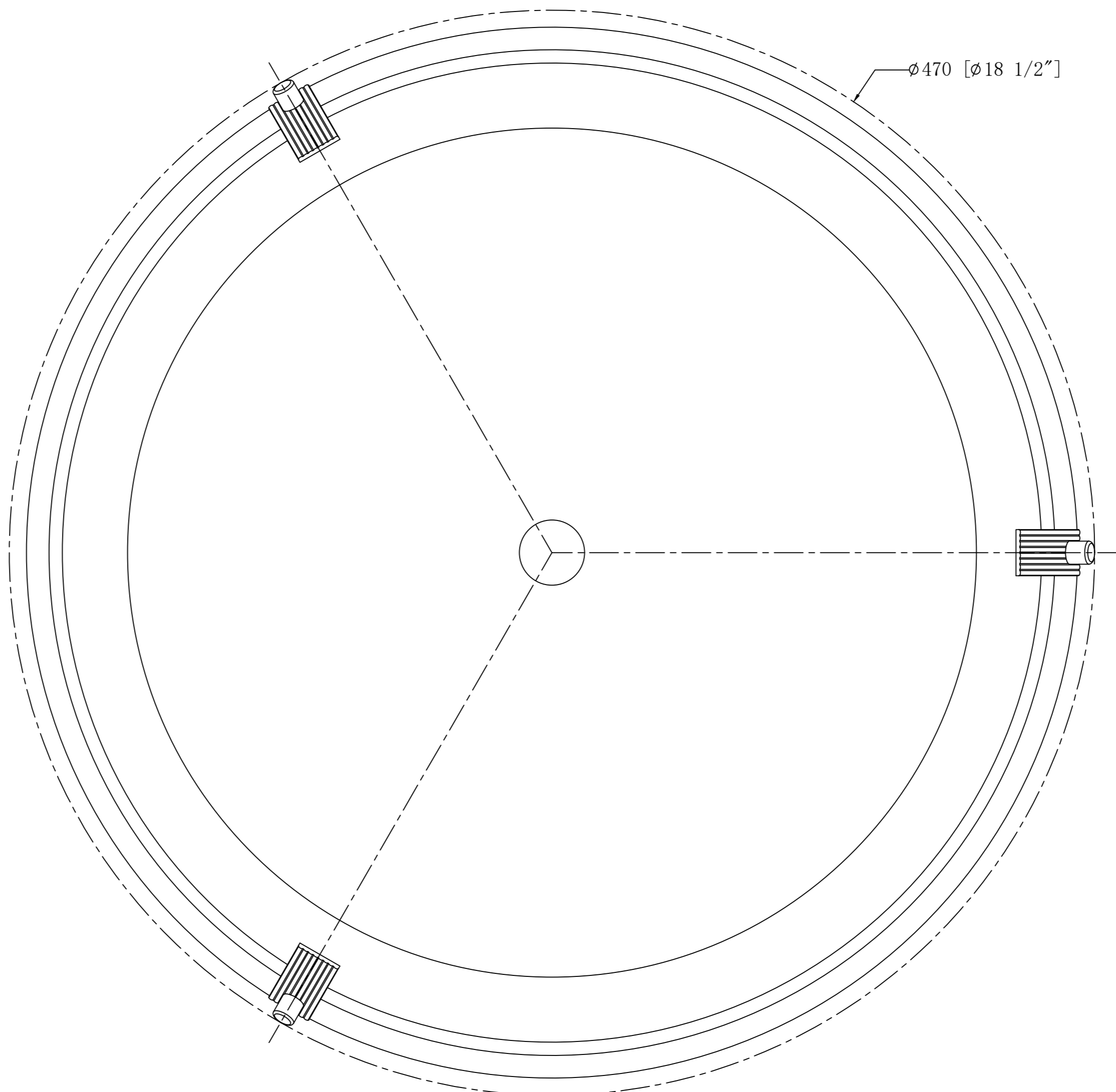
126.5 [5"]

∅19

∅455 [17 7/8"]



铁板



∅470 [∅18 1/2"]