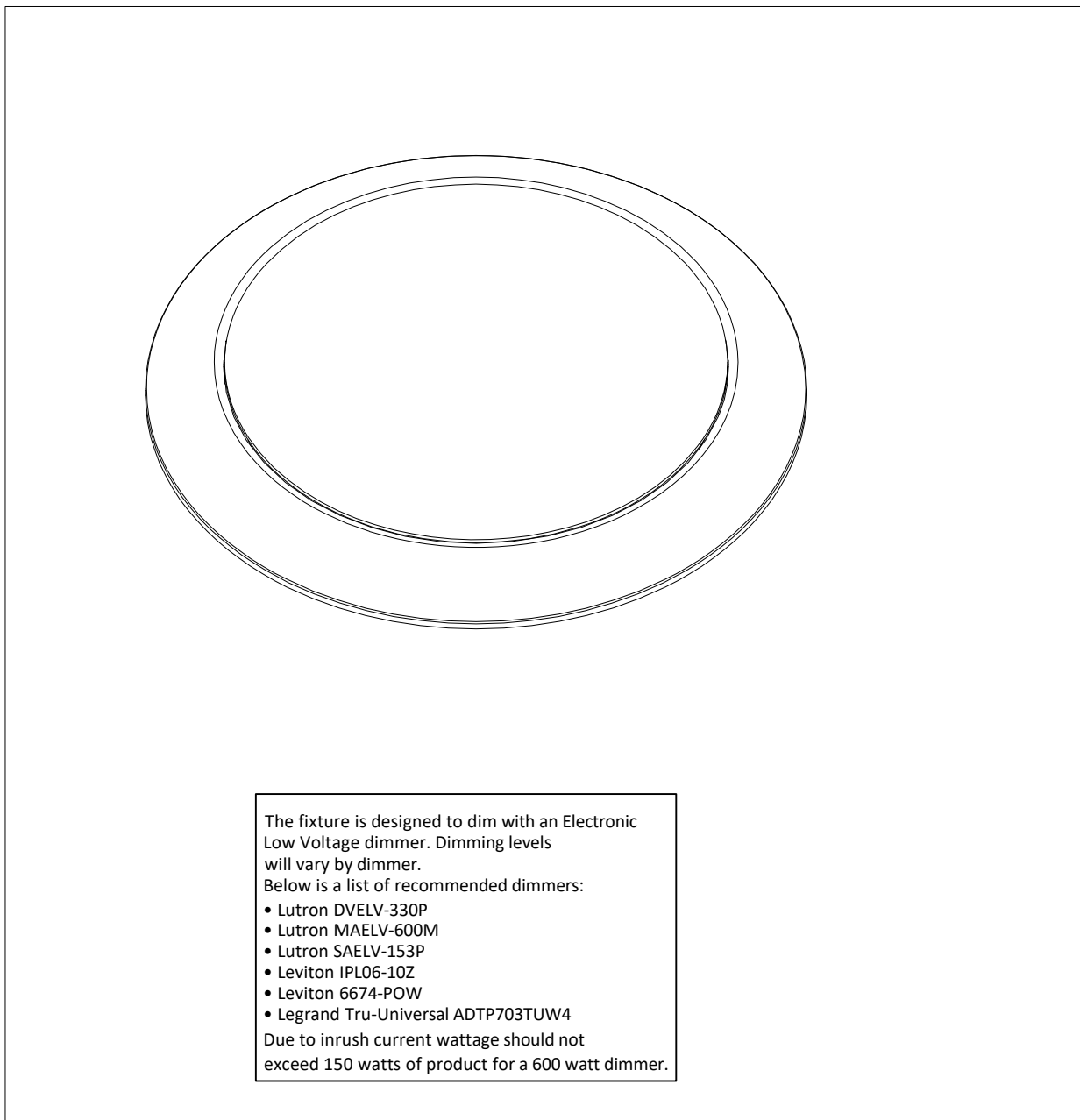




PRODUCT NAME : Diverse LED (CRI90)
 ITEM NUMBER: 57640

Please consult your electrician for hanging fixture and wiring.



The fixture is designed to dim with an Electronic Low Voltage dimmer. Dimming levels will vary by dimmer. Below is a list of recommended dimmers:

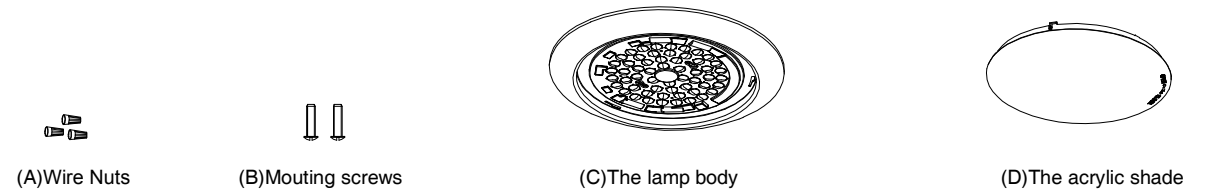
- Lutron DVELV-330P
- Lutron MAELV-600M
- Lutron SAELV-153P
- Leviton IPL06-10Z
- Leviton 6674-POW
- Legrand Tru-Universal ADTP703TUW4

Due to inrush current wattage should not exceed 150 watts of product for a 600 watt dimmer.

Bulbs (integrated): Dimmable at 120V Integrated

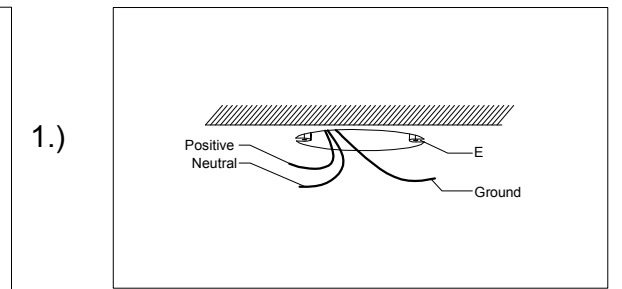
MADE IN CHINA
 Page 1 of (2)

IMPORTANT: Turn off the power at the main fuse or circuit breaker box before starting installation

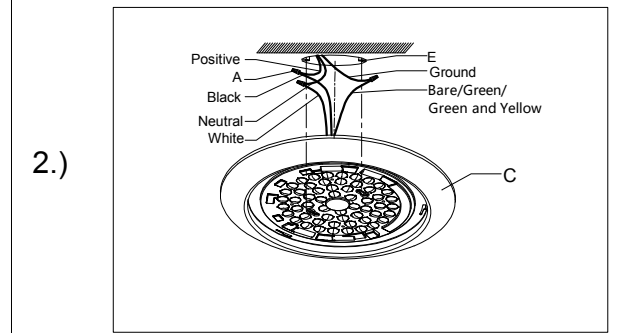


Locate all hardware & components before discarding packaging

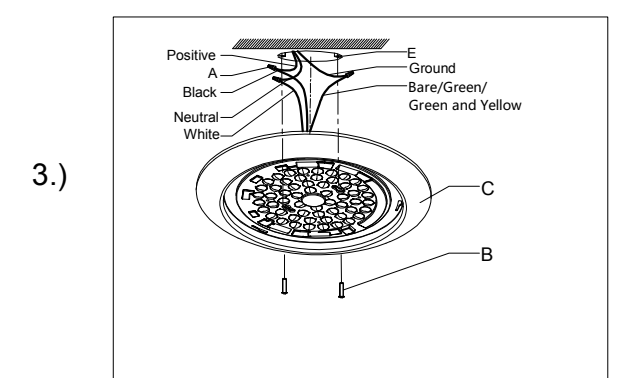
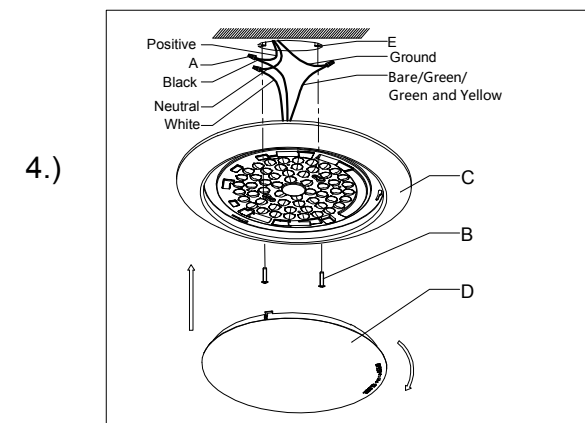
Mounting: These fixtures mount directly to most standard metallic & non-metallic electrical boxes with 2-3/4" to 3-1/2" hole spacing that are at least 1-1/2" deep. This includes 3-1/2" & 4" octagon boxes, round mud-rings for octagon and square boxes, and 3" & 4" non-metallic round boxes. Products are suitable for mounting on ceilings or walls, and are acceptable for use within closet storage spaces when installed per NEC requirements.



1.) Step 1. Bring positive, neutral, and ground supply conductors (120V, 60Hz) to the room side from junction box(E).



2.) Step 2. Connect black fixture wire to positive, white fixture wire to neutral, and bare copper wire to ground using wire nuts provided.



3.) Step 3. Mount the mounting bracket (C) to the junction box(E), using mounting screws(B).

4.) Step 4. Line the acrylic shade up with the bumps on the pan. Twist the acrylic shade until it is secure.

Cleaning & Care:
 Clean with soft cloth and a mild detergent.
 Do not use abrasive cleaner.