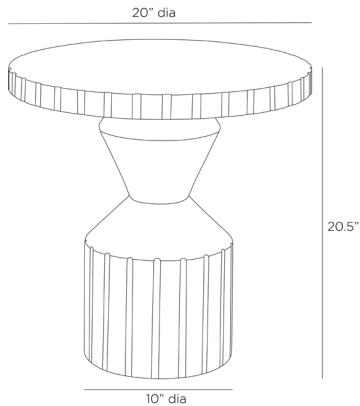


# ARTERIOS

## CALYPSO END TABLE



FEI23

H: 20.5 IN, Dia: 20.00 IN

Ebony

Contract Recommendations: Adding a lacquer coating provides additional protection

Accented with gear-like etching at the base and top, our machined end table possesses an industrial edge. Carved of ebony mango wood, the bold faceted shape highlights its totemic architecture. Finish will vary.

### APPEARANCE

|                  |       |
|------------------|-------|
| Material         | Wood  |
| Material Type    | Mango |
| Finish Will Vary | true  |
| Top Coat/Sealant | true  |

### DIMENSIONS

|                    |                          |
|--------------------|--------------------------|
| Foot Print         | Dia: 10.00 IN            |
| Table Top          | H: 1.5 IN, Dia: 20.00 IN |
| Clearance          | 18.5"                    |
| Diagonal Dimension | 29 IN                    |

### SHIPPING

|                |                                |
|----------------|--------------------------------|
| Product Weight | 32 LBS                         |
| Gross Weight 1 | 39.69 LBS                      |
| Shipping Box 1 | H: 23 IN, L: 23 IN, W: 23.5 IN |

### CONTRACT

|                   |   |
|-------------------|---|
| Contract Suitable | Adding a lacquer coating provides additional protection |
|-------------------|---|