

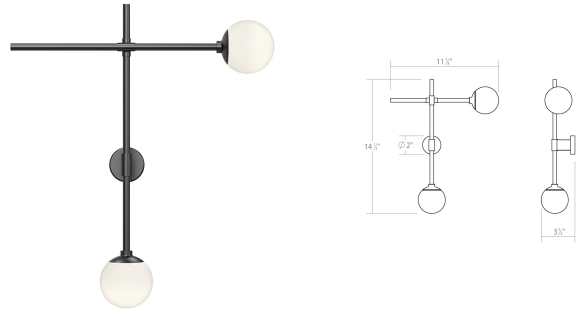
Project:

Sabon Sconce Spec Sheet

SKU: 2062.25 Learn more at:
<https://sonnemanlight.com/sabon-sconce>

Description: Crisply modern with a classic feel, Sabon Sconce brings solid functional design to this lighting task. The white etched cased globe radiates a dazzling illumination. Sabon's expression of simplicity shows that less is definitely more. Our [Sabon Optional Wall Plate Kit](#) can be ordered in conjunction with our Sabon Sconce. Also available as a [Pendant](#) and [Semi-Flush Mount](#).

Type #:



Dimensions

Height:	14.75"
Width:	12"
Extends:	3.75"
Minimum Extension:	3.75
Maximum Extension:	3.75
Canopy/Backplate/Base:	1"
Size:	Double
Canopy/Backplate/Base Depth:	0.5

Electrical Specs

Bulb(s) Included?:	Yes
Bulb 1 Type:	Integral LED
Bulb Quantity:	2
Input Voltage:	120VAC
Wattage:	3
Initial Lumens:	660
Delivered Lumens:	360
Color Temperature:	3000K
CRI:	90
Power Supply Type:	Driver
Power Supply Quantity:	1
Power Supply Location:	Remote
Dimming Type:	TRIAC/ELV
Bulb Max Wattage:	3

Installation

Installation:	Licensed electrician required
Installation Orientation:	Vertical

Shipping

Carton 1 L x W x H:	18" X 15" X 8"
Carton 1 Gross Weight:	3 LBS

Shade

Shade 1 Material:	White Cased Glass
-------------------	-------------------

Available Finishes

Available Finishes: Satin Black (.25), Satin Nickel (.13)

General Listings

Features:	ADA Compliant, Damp Rated
Certification:	cETL
Color/Finish:	Satin Black (.25)
Dark Sky Friendly:	N