

CRYSTORAMA

LIGHTING THE WAY FOR SIXTY YEARS



crystorama.com

ASSEMBLY INSTRUCTION MODEL #8883-PN

WARNING



Electrical Danger



Turn Power Off

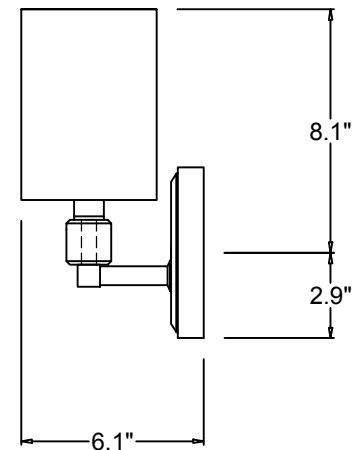
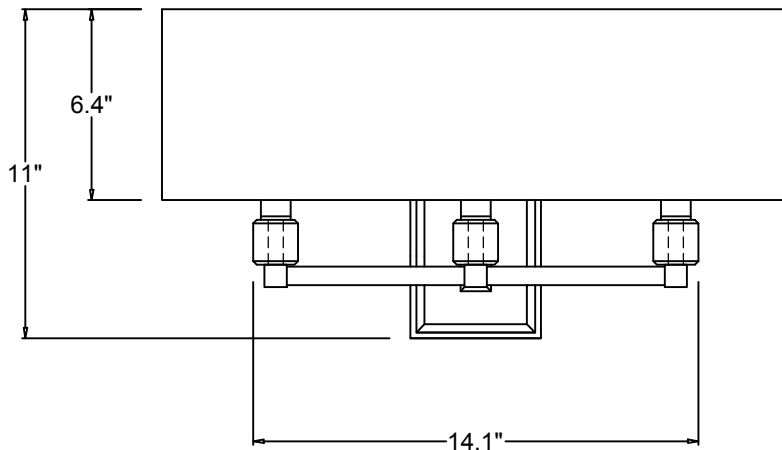
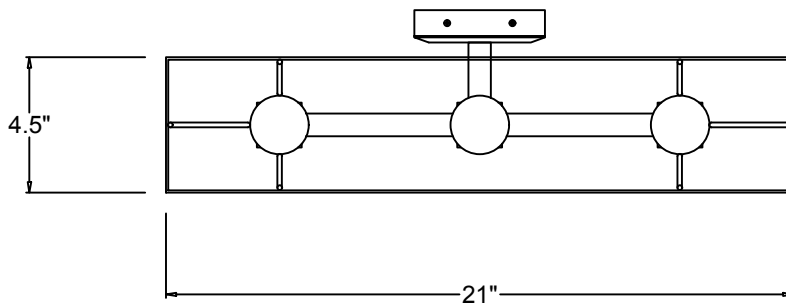
All electrical components must be installed by a licensed electrician in accordance with the National Electric Code and the appropriate local electrical codes.




You will need 3-Cand. BULB
40 Watts Recommended 60 Watts Max
Bulb not included
USE LED BULBS FOR EXTENDED USE
This fixture is DRY rated

How to Install

1. Attach the mounting plate onto the outlet box in the wall.
2. Install the fixture frame onto the mounting plate and secure with the screws.
3. Place the shade over the candle sleeve and install the bulb.



 **WARNING:** This product can expose you to Lead, which is known to the State of California to cause cancer and/or birth defects or reproductive harm. For more information go to www.P65Warnings.ca.gov

CRYSTORAMA

LIGHTING THE WAY FOR SIXTY YEARS



crystorama.com

PART NUMBER MODEL #8883-PN

Part Number

Part Numbers

A. Mounting Hardware

(1) Mounting Plate

(2) Wire Nut

(4) Screws

B. (1) Back plate; 5.7"x4.4"x1.1"h; XMO8883PNBKP5.7IN

C. (1) Lamp arm

D. (3) Crystal

E. (3) Socket

F. (1) Fabric Shade; 21"x4.5"x6.4"h; XMO8883PNSHA21IN

