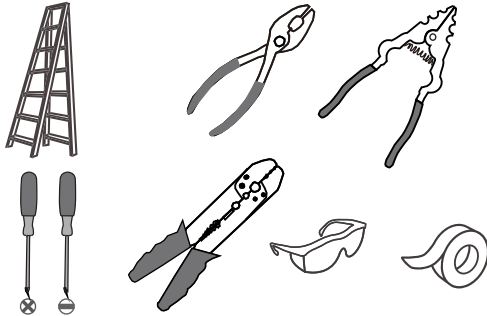
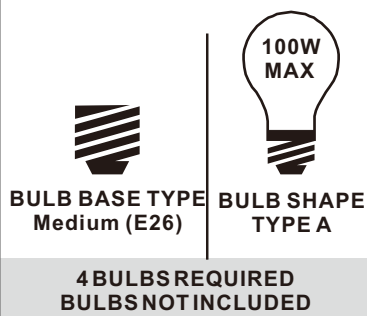


Tools Required



Light Source



**Fixture Height Adjustable
12" to 67"**

Warnings and Cautions

Turn off the electricity at the circuit breaker before installation. Consult a licensed electrician if in doubt about installation.

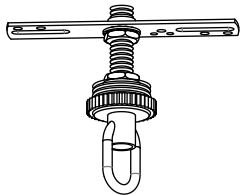
Turn off power to the fixture and allow the bulbs to cool before replacing.

Package Contents

Preparation: Identify and inspect all parts before beginning the installation.

Missing or damaged parts? Contact your original place of purchase.

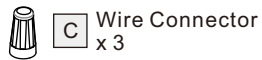
PARTS BAG



A Crossbar Assembly x 1



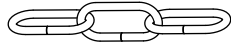
B Outlet Box Screw x 2



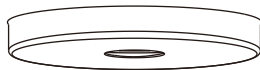
C Wire Connector x 3



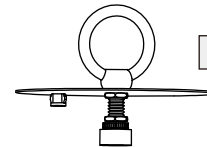
D Quick Link x 2



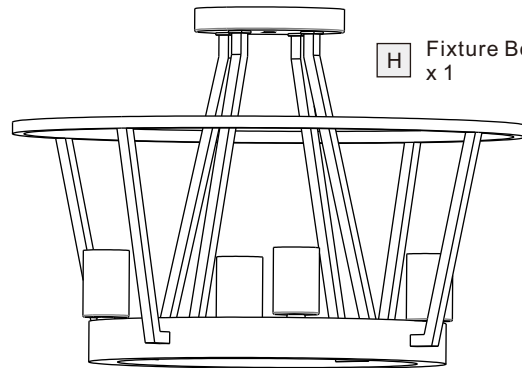
E Fixture Chain x 1



F Ceiling Canopy x 1



G Fixture Loop Assembly x 1



H Fixture Body x 1

Table of Contents

Assembly Instructions for Chandelier Light (Step 1A - Step 5A)

BRT2817GK, BRT2817BSR

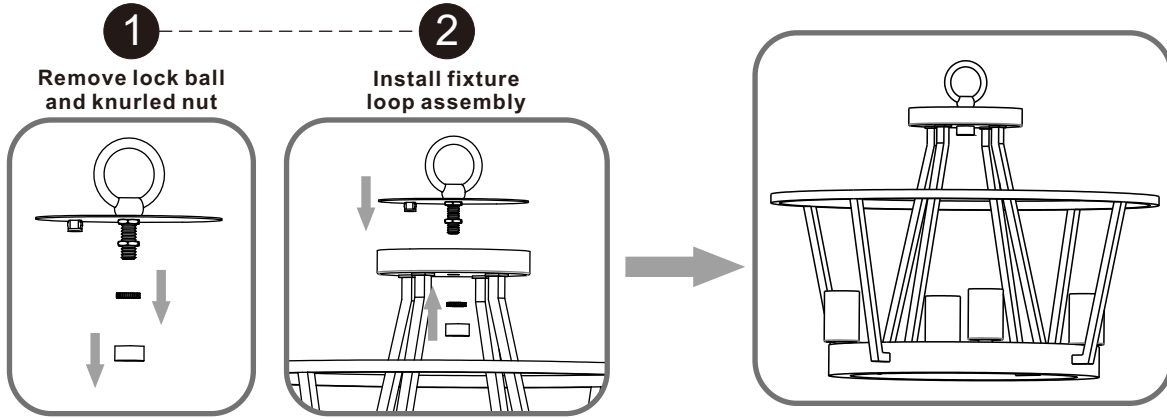
Fixture Loop	Crossbar Assembly	Fixture Chain	Wiring	Ceiling Canopy	Bulb
STEP 1A	STEP 2A	STEP 3A	STEP 4A	STEP 5A	STEP 6A

Assembly Instructions for Semi-flush Light (Step 1B - Step 4B)

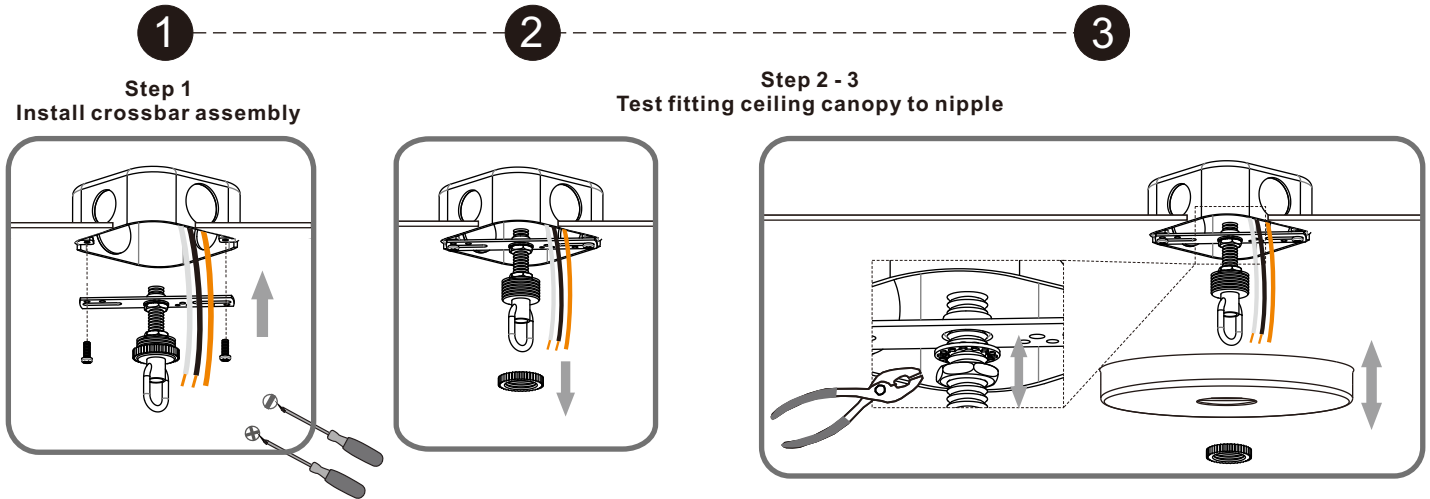
BRT1717GK, BRT1717BSR

Crossbar Assembly	Wiring	Fixture Body	Bulb
STEP 1B	STEP 2B	STEP 3B	STEP 4B

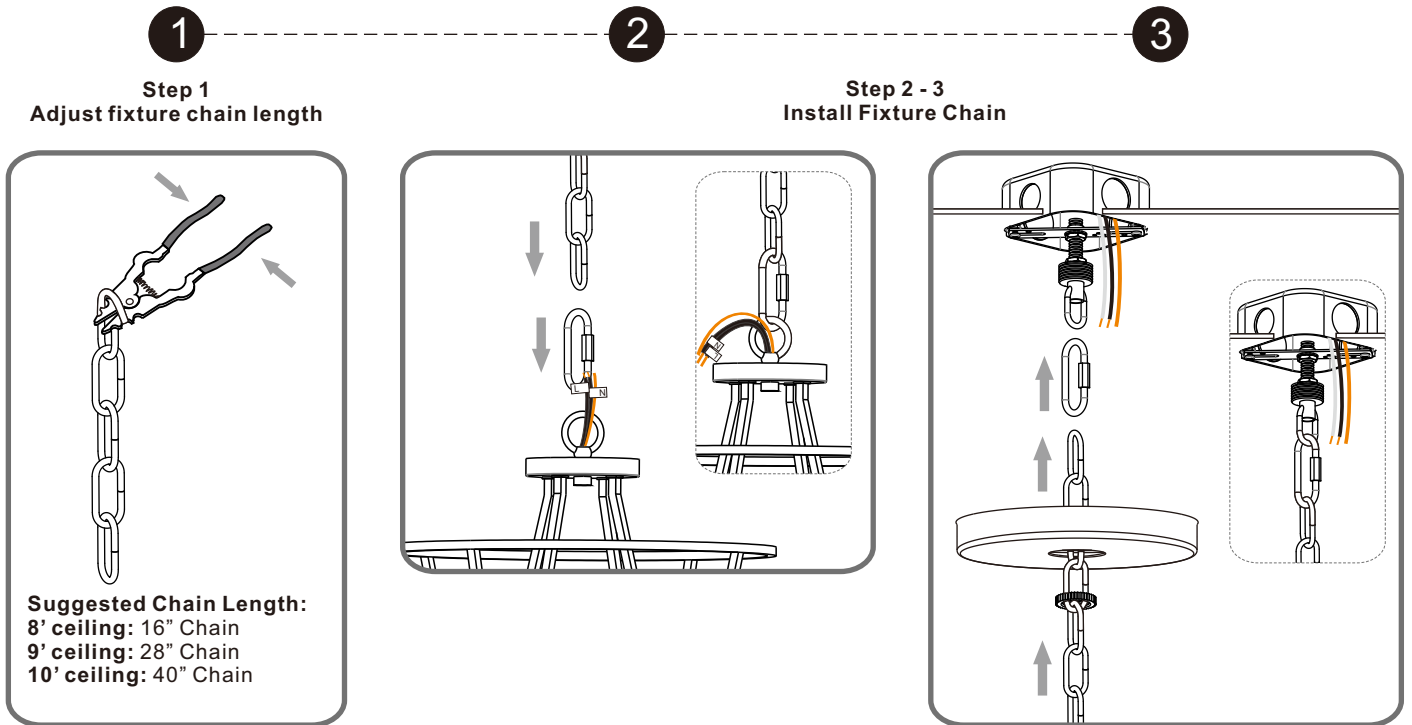
STEP 1A



STEP 2A



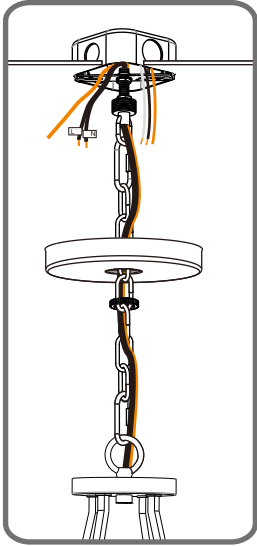
STEP 3A



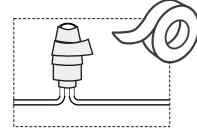
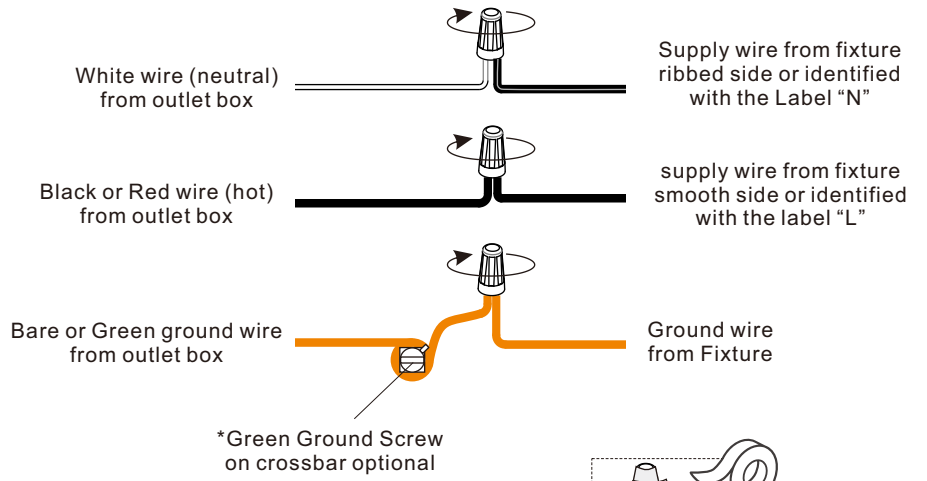
STEP 4A

1

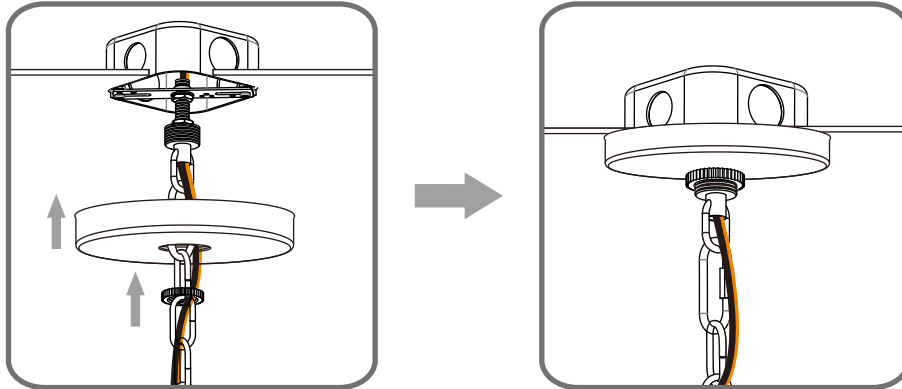
Step 1
Feed the fixture wires
through the loop



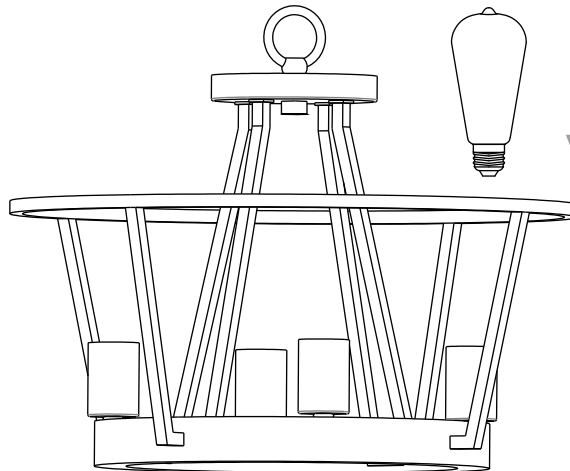
2



STEP 5A



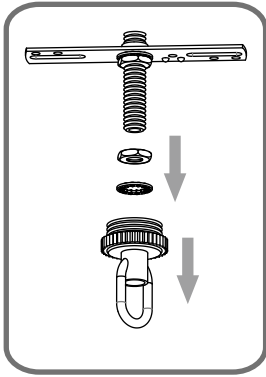
STEP 6A



STEP 1B

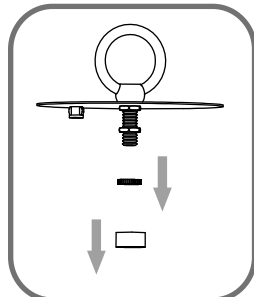
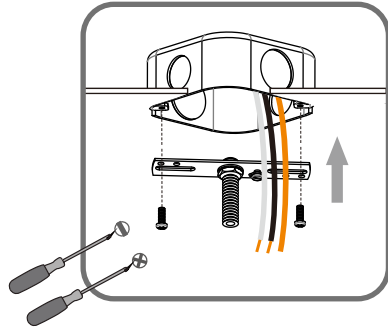
1

Remove canopy chain loop, one lock washer and one hex nut



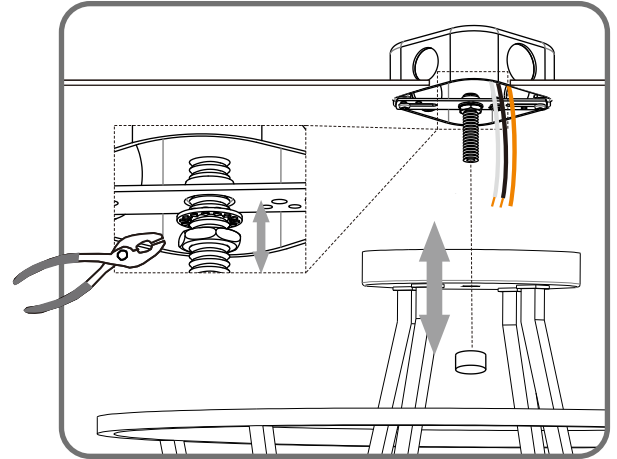
2

Install crossbar assembly



Remove lock ball and knurled nut

3



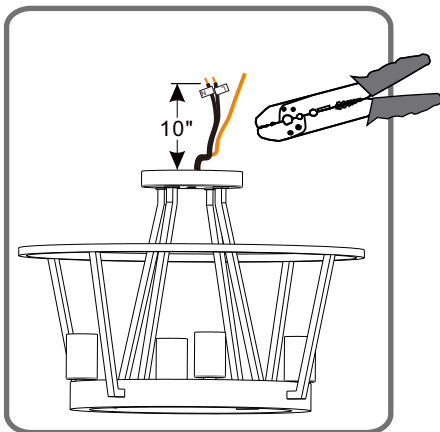
Test fitting ceiling canopy to nipple

4

STEP 2B

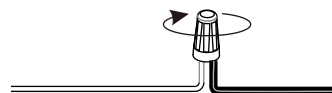
1

Step 1
Cut supply wires



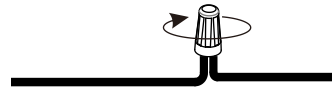
2

White wire (neutral)
from outlet box



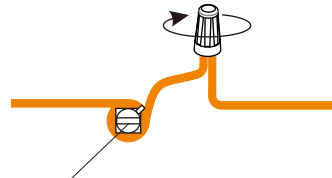
Supply wire from fixture
ribbed side or identified
with the Label "N"

Black or Red wire (hot)
from outlet box



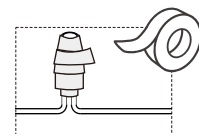
supply wire from fixture
smooth side or identified
with the label "L"

Bare or Green ground wire
from outlet box

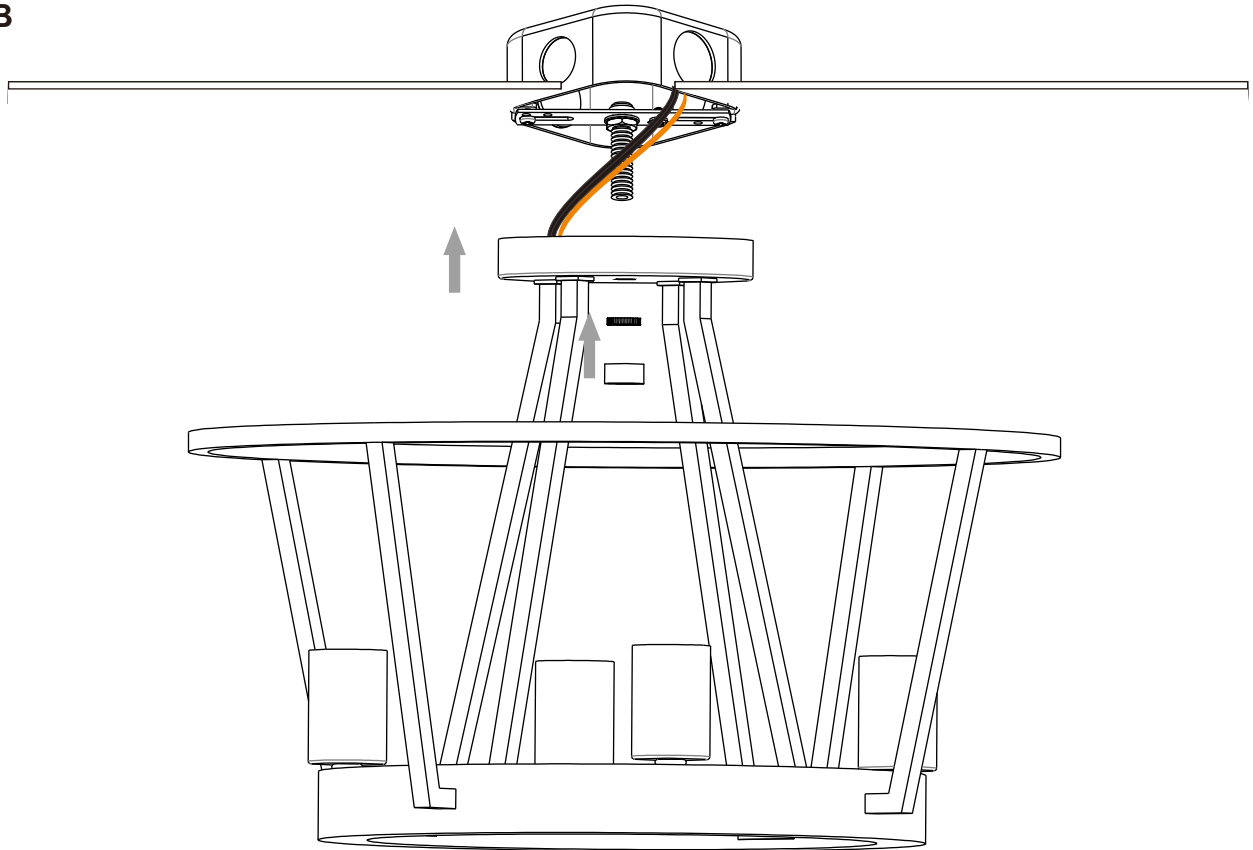


Ground wire
from Fixture

*Green Ground Screw
on crossbar optional



STEP 3B



STEP 4B

