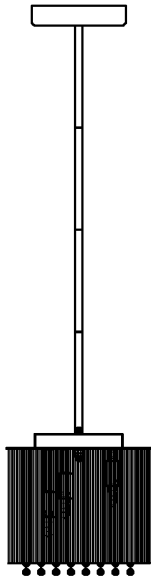


Trade Mark:
CRYSTAL WORLD INC

Product Name: Pendant lamp
Model :5320P10C-S
120Vac, 60Hz,AC ONLY
Lampsize:L10"W10"H21"~68"

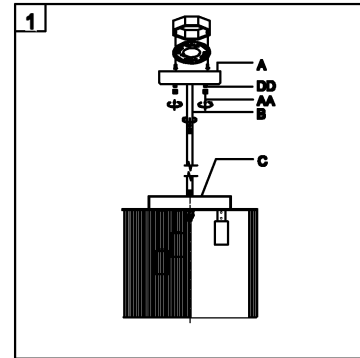


PENDANT LAMP ASSEMBLY INSTRUCTIONS

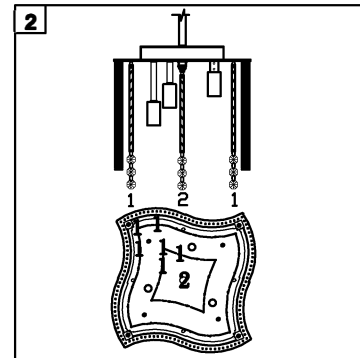
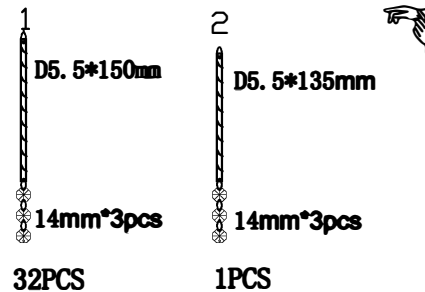
1.Screw (B) onto the lampbody (C) ,
Screw (B) onto the (A) secure with screw.
Place fixture (A) onto mounting screws (DD).
secure with cap nuts (AA) .

Hardware Used

| | | |
|-------------------|---|-----|
| AA Cap nut |  | X 2 |
| DD Mounting screw |  | X 2 |



2.Please open the clear plastic bag
carefully.and put the crystal(1)(2)
to the fixture .



3.Install light bulbs (not included).
Use Bulb
120V G9 ⌀ 3*40W Max.

