



CAL LIGHTING

3625 E. Philadelphia St. Ontario CA. 91761 • Tel: 909.947.5200 • Fax:
909.947.5673 • www.calighting.com • service@calighting.com •
Specifications subject to change without notice

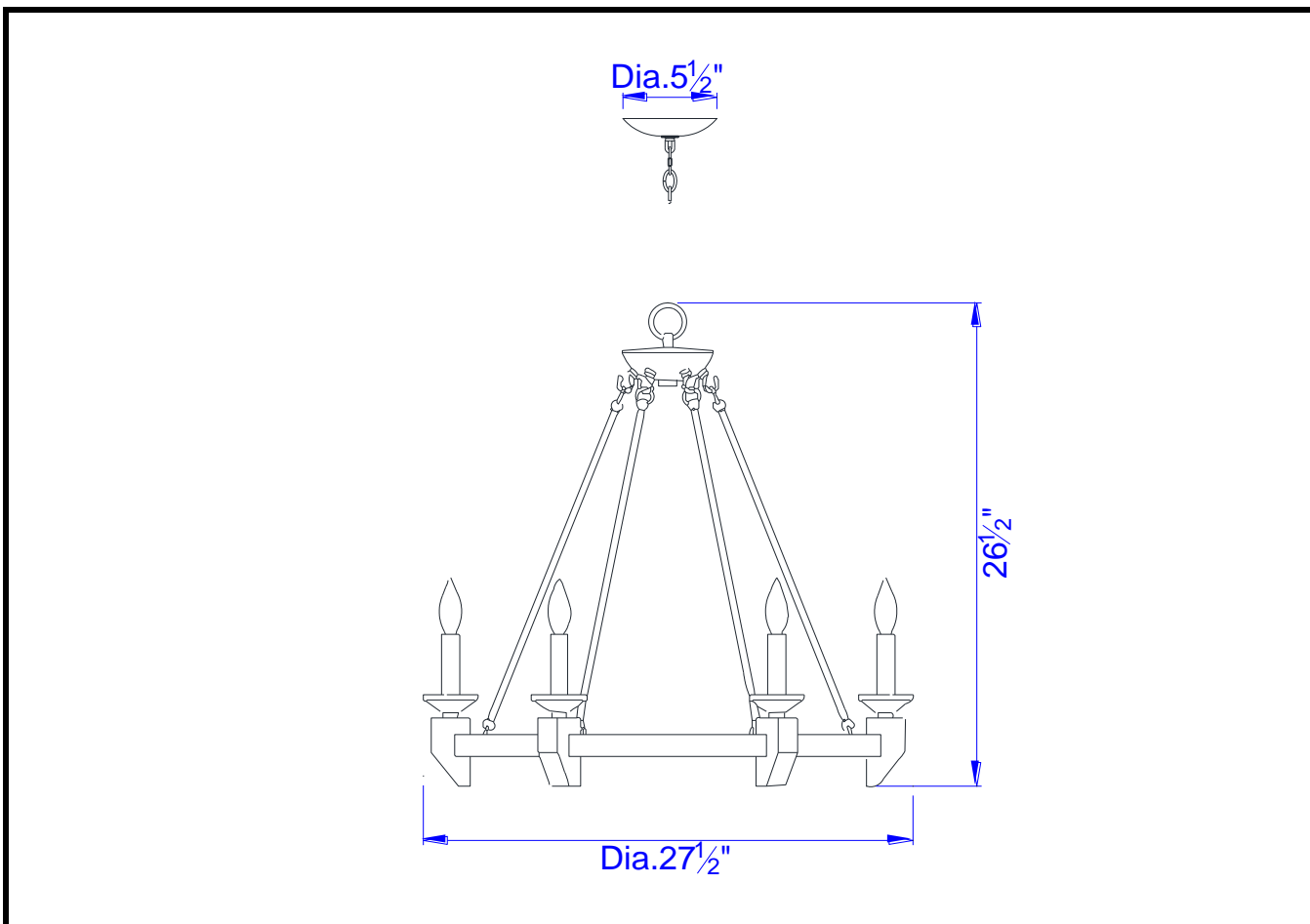
Type: _____

Project: _____

Catalog No.: _____

Lamp/Wattage: _____

Drawing:



- Model No:** FX-3517/6
- Description:** 60W x 6 Cruz Forged 6 Light Chandelier
- Material:** Metal Wood
- Finish :** Warm Bronze With Real Wood Finish
- Height:** 26-1/2"
- Width:** 27-1/2"
- Wattage :** 60W x 6
- Socket :** Candelabra Base (E12)
- Bulb:** Incandescent
- Chain Length:** 6'
- Wire Length:** 10'
- Wire Color:** Black
- Shade No:** None
- Material:** None
- Shade size:** None

Certificate : 