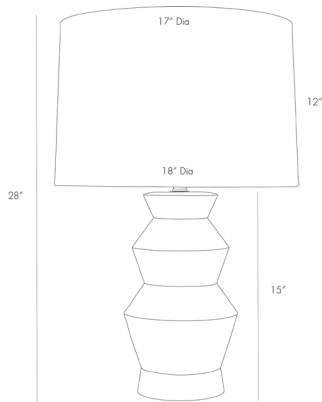


ARTERIOS

OGDEN LAMP



11019-955
H: 28 IN, Dia: 18.00 IN
Provincial Blue Porcelain
Contract Suitable As Is

The rich textures in this porcelain lamp are created by hand and skill of artisan potters. After the porcelain is formed, they take small clay combs and create all the etchings, which is why, up close, you'll notice slight organic details. The provincial blue glaze only adds to the textures and has a slight crackling where etchings are absent. Topped with a drum shade in white linen with cotton lining and an acrylic ball finial. Glaze finish will vary.

APPEARANCE

Material	Cotton, Linen, Porcelain
Finish	Off-White, White
Finish Will Vary	true
Top Coat/Sealant	false
Finial Description	1" brushed nickel sphere - packed with
Finial Dimension	1" Dia

DIMENSIONS

Shade	Top: 17.00 IN, Dia: 18.00 IN, Side: 12 IN
Body	H: 15 IN, Dia: 9.00 IN
Neck	H: 2 IN, Dia: 1.00 IN
Foot Print	Dia: 8.00 IN
Harp	10.5 IN

WIRING

Rating	Indoor Only
Tilt Test	10 Degrees - AU
Cord	8 FT, Clear/Silver, Side of Lamp Body, SPT-2
Socket	1, Black, Type A- E26, 3-Way
Switch	3-Way Rotary, At Socket
Maximum Watt	150
Voltage	110-120 V

CERTIFICATIONS

Certifications	Mexico Australia, United States, Canada
----------------	--

COMPLIANCY

UL/ETL	Yes
RoHS	false

SHIPPING

Product Weight	9.5 LBS
Gross Weight 1	10 LBS
Gross Weight 2	3 LBS
Shipping Box 1	H: 25 IN, L: 12 IN, W: 13 IN
Shipping Box 2	H: 16 IN, L: 22 IN, W: 22 IN

ADDITIONAL INFO

Shade Shape	Round
Shade Trim	Rolled Edges
Shade Type	Hardback

REPLACEMENT PARTS

Replacement Part 1	81324
--------------------	-------

CONTRACT

Contract Suitable	true
-------------------	------