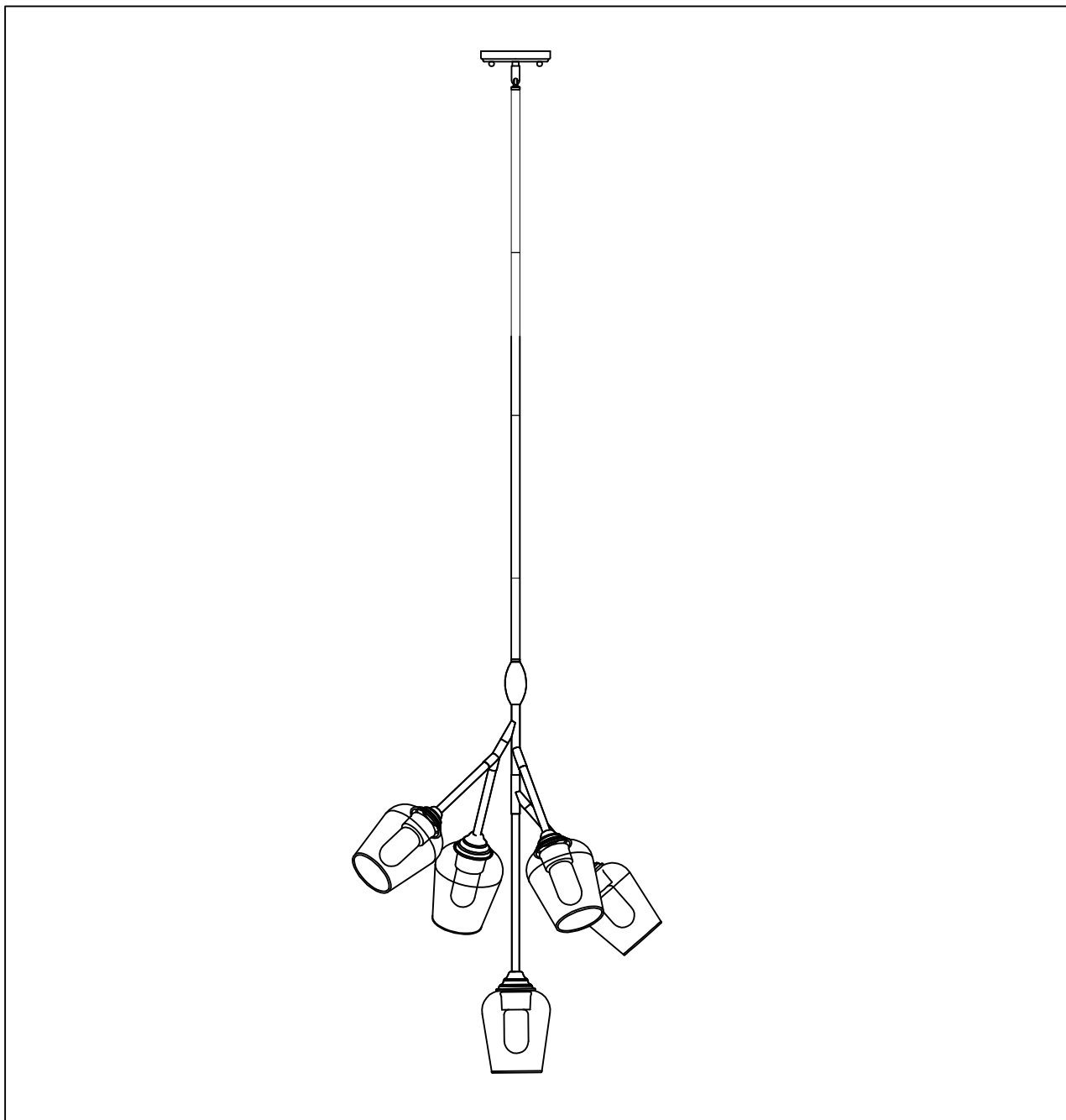




PRODUCT NAME: Savvy 5LT Pendant  
NUMBER: 26343CLABBK

Please consult your electrician for Hang fixture and wiring.



**Bulb (included) : 5\*MB 60W**

MADE IN CHINA

Page 1 of (3)

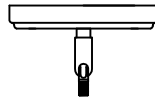
**IMPORTANT:** Turn off power at the main fuse or circuit breaker box before starting installation



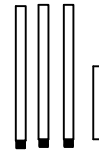
(A) Bracket



(B) Ball nut



(C) Canopy

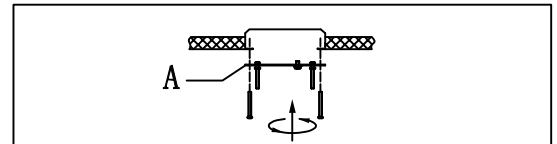
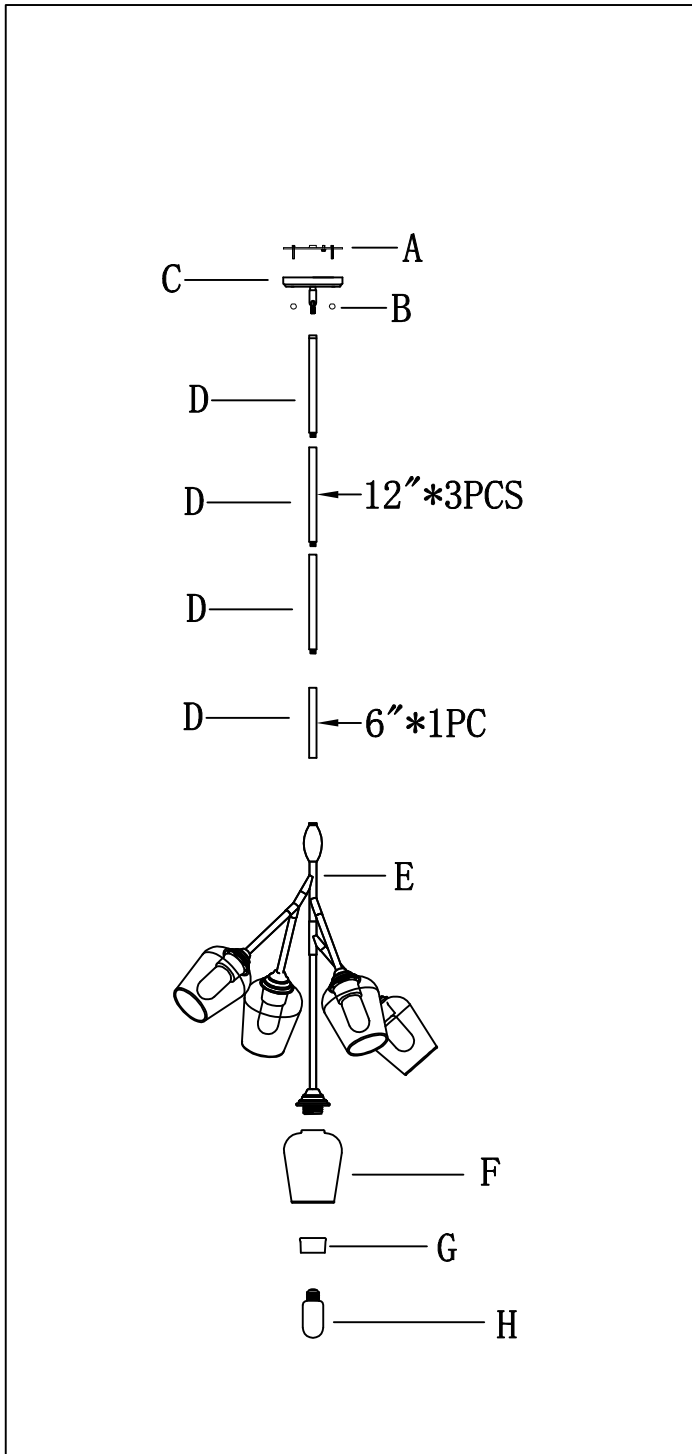


(D) Stems



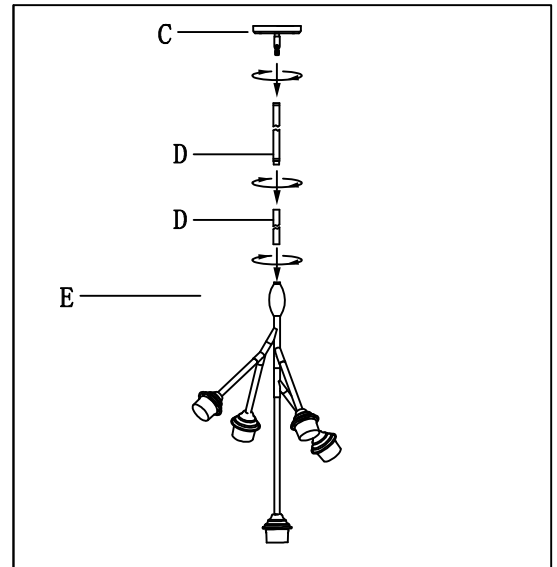
(E) Body

**Locate all hardware & components before discarding packaging**



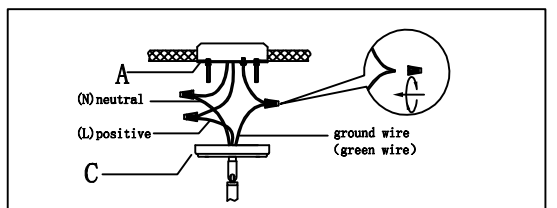
1.)

**Step. 1:** Remove mounting bracket (A) from fixture and install to electrical box.



2.)

**Step. 2:** Run wire through stems (D) and combine stem lengths to meet desired mounting height.



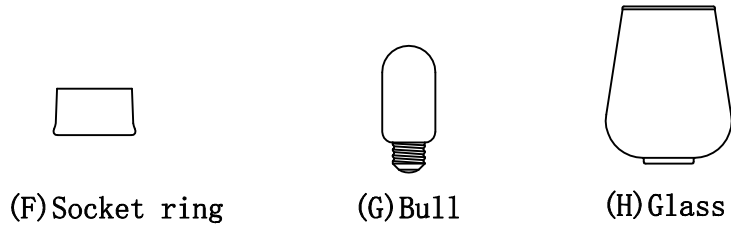
3.)

**Step. 3:** Wire fixture to wires in outlet box. Copper/Green wire is for Ground.

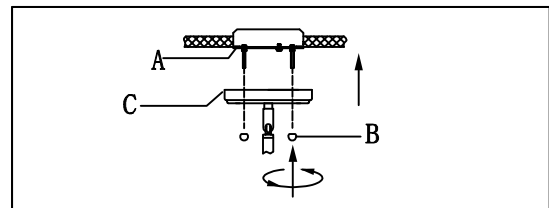
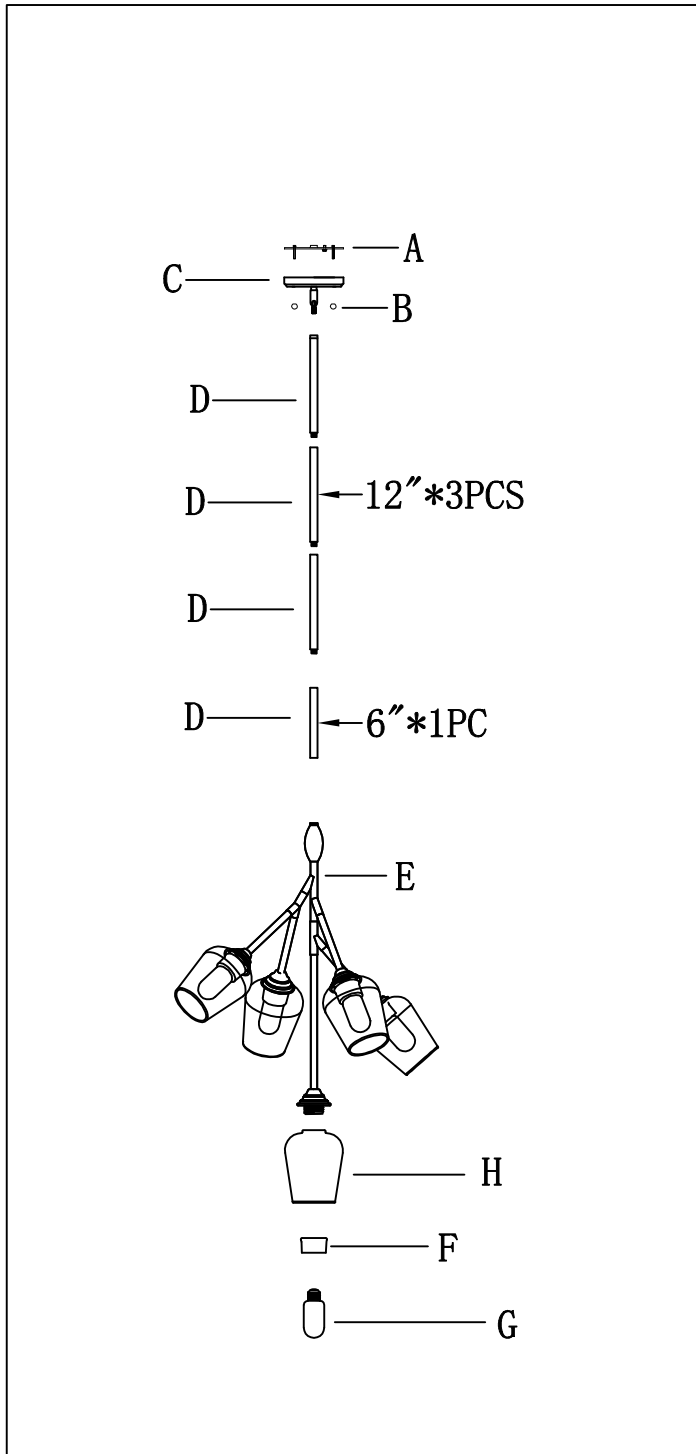
**Cleaning & Care:**

Clean with soft cloth and a mild detergent.  
Do not use abrasive cleaner.

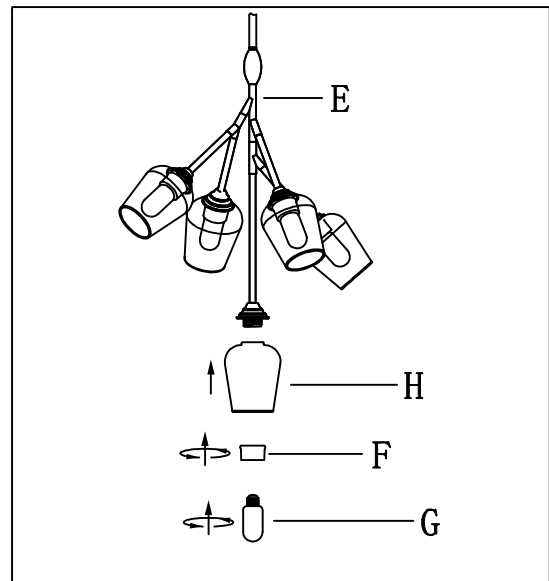
**IMPORTANT:** Turn off power at the main fuse or circuit breaker box before starting installation



**Locate all hardware & components before discarding packaging**



**Step. 4:** Install fixture to bracket and tighten ball nuts (B) on the canopy to secure.



**Step. 5:** Use socket ring (F) to secure the glass (H), then install the bulb (G).

**Cleaning & Care:**

Clean with soft cloth and a mild detergent.  
Do not use abrasive cleaner.