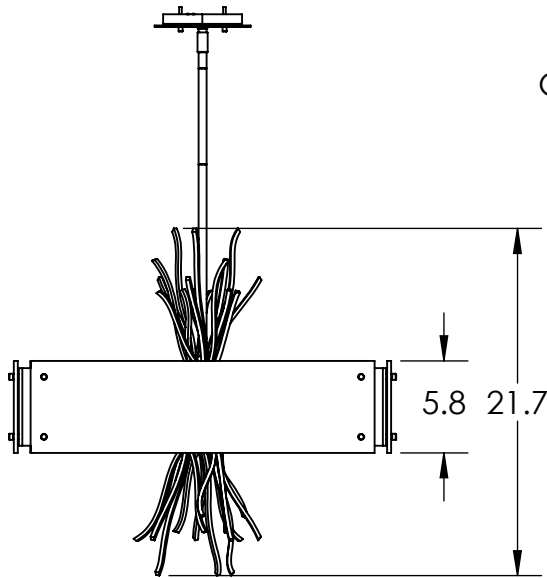
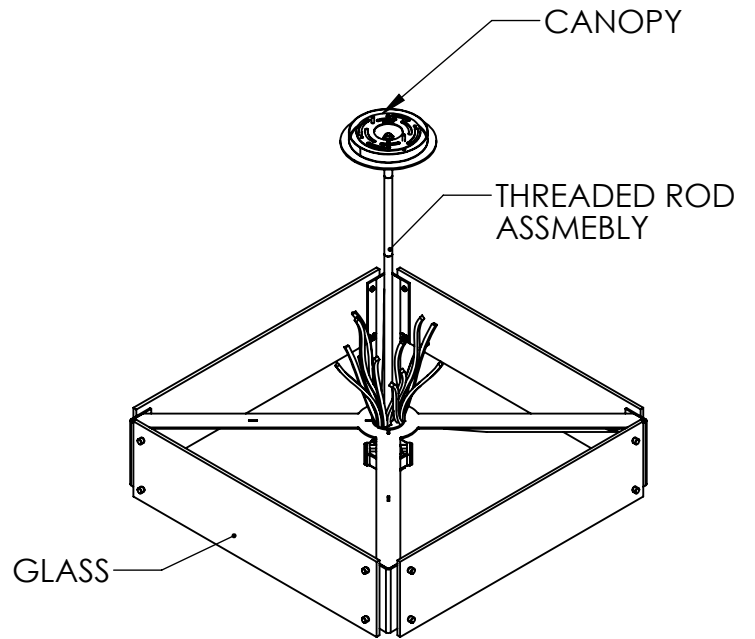
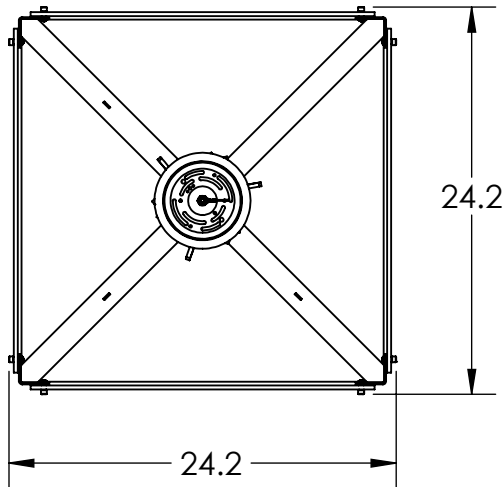


Collection: IRONWOOD

Product #: CHB0032-0D



Electrical Option	Electrical Type	Bulb Type	Wattage	Socket Type
Product #				
CHB0032-0D-XX-XX-XXX-E2	Incandescent	A19	75	Medium E26
CHB0032-0D-XX-XX-XXX-G2	Flourescent	CFL/LED RETRO	13	GU-24

ALL DIMENSIONS ARE IN INCHES UNLESS OTHERWISE STATED

Bulbs Not Included Visit hammeronstudio.com for product options and specifications.

3/22/2022 (D)

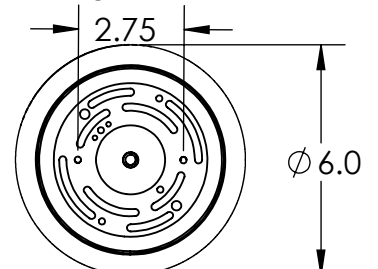
Mounting Packet: Y	Electrical Type: SEE TABLE
Approximate lbs.: 30	Bulb Qty: 4 Bulb Type: SEE TABLE
Finish: SEE WEB SITE FOR OPTIONS	Wattage: SEE TABLE Voltage: 120
Top Diffuser: OPEN	Socket Type: SEE TABLE
Bottom Diffuser: FROSTED ACRYLIC	UL Location: DRY

All fixtures created by Hammerton are handcrafted by artisans. Dimensions may vary up to 7/8".

© Copyright 2020. All rights in design, detail or invention of this drawing are reserved as the property of Hammerton. Any imitation or adaptation without written consent is strictly prohibited.

Hammerton Inc. 217 Wright Brothers Dr. Salt Lake City, UT 84116 (801)973-8095

Canopy Mounting Detail



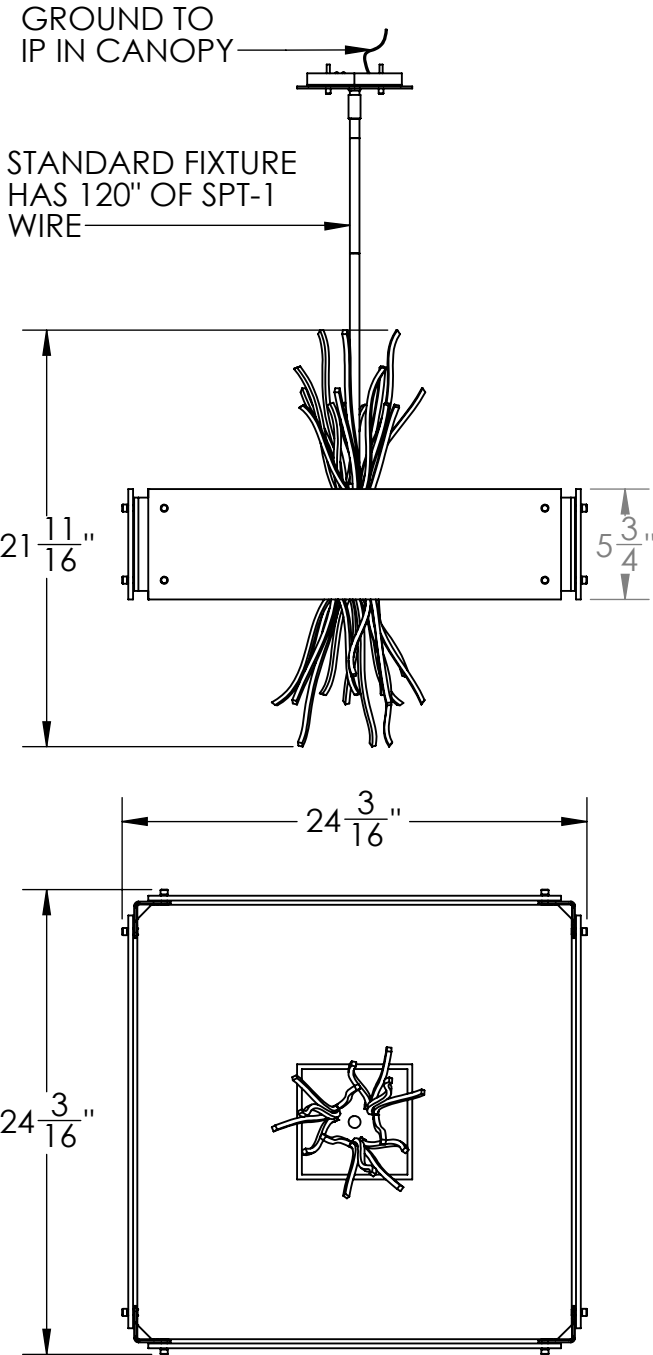
MOUNTS DIRECTLY TO J-BOX

HAMMERTON

HAMMERTON STUDIO™

REVISIONS

REV.	DESCRIPTION	Drawn By:	Drawn Date:	Approved By:	Approved Date:
C	UPDATED TO EXPRESS DRAWING STANDARDS	8/14/2017	8/14/2017		
D	UPDATED QC CHECKLIST	TJONES	02/18/19		



SPECIAL INSTRUCTIONS FOR FINISHER

SPECIAL TOOLS:

FINISH INSTRUCTIONS:

UL MANUFACTURING STICKER:

HAMMERTON
 Custom- Incandescent
 DRY LOCATION ONLY
 MFG DATE YEAR: 15 16 17 18 19
 MONTH: 1 2 3 4 5 6 7 8 9 10 11 12

RELAMPING STICKER:

MAX 75 Watt TYPE A
 Warning-Risk of Fire

PRODUCT #: CHB0032-0D

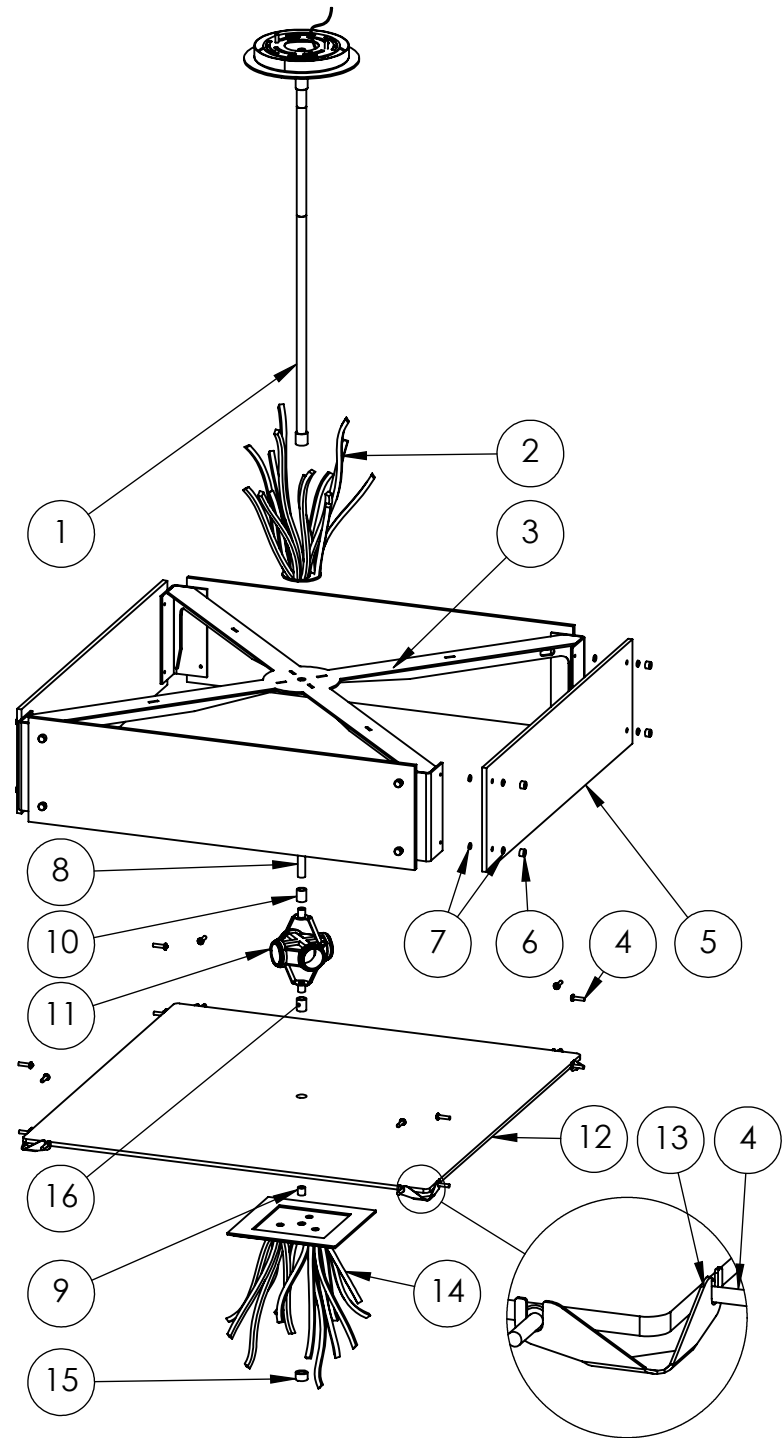
MOUNTING PACKET: Y

Rev: D

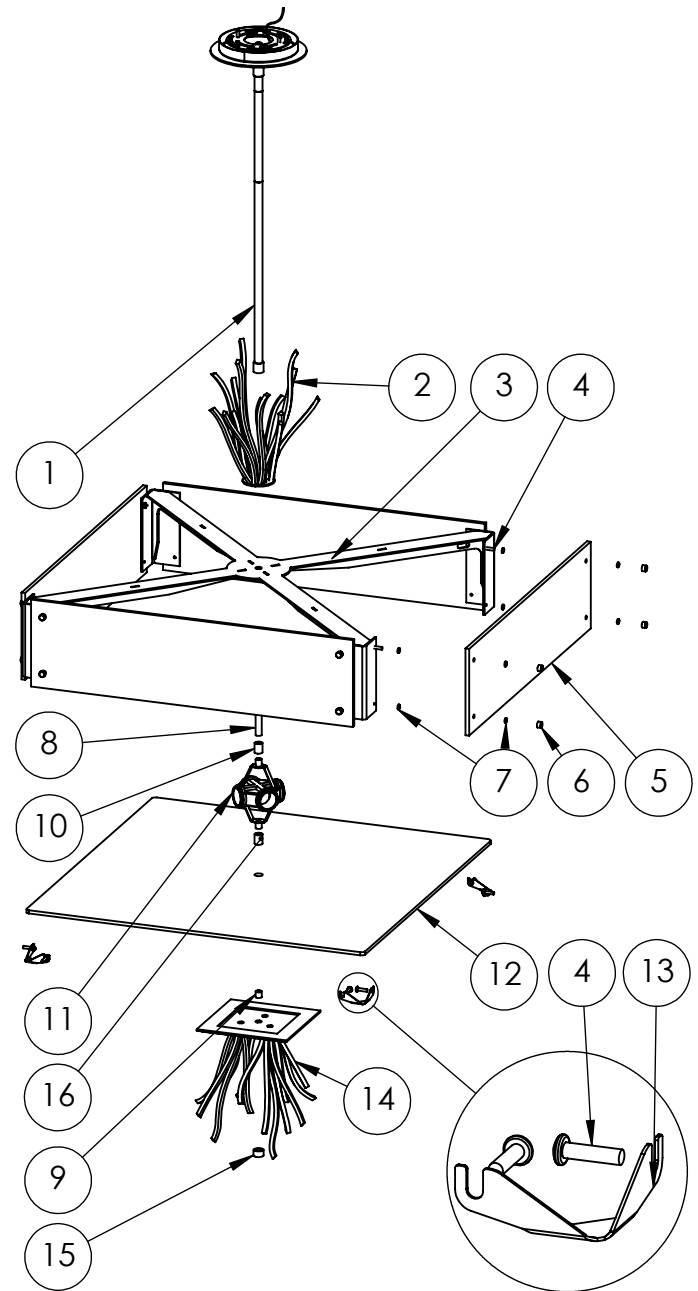
SHEET 2 OF 8

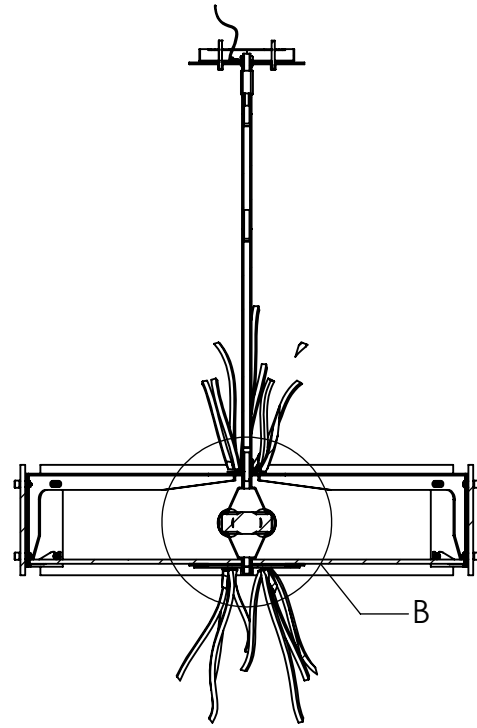
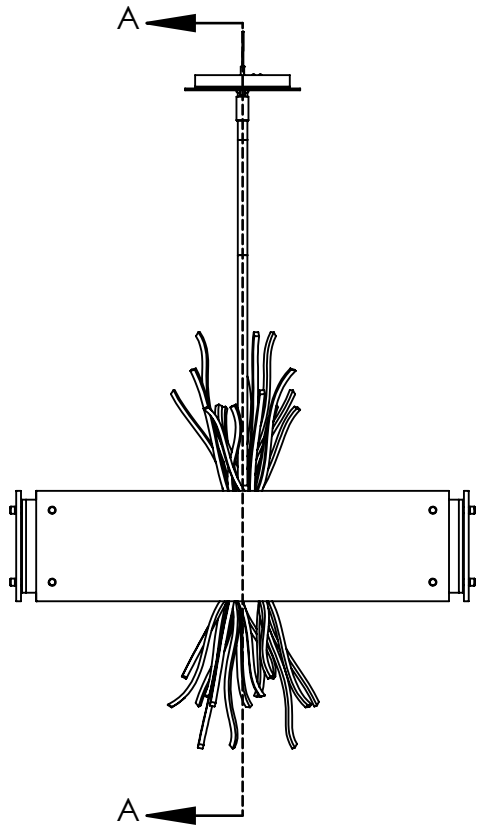
© Copyright 2016, All rights in design, detail or invention of this drawing are reserved as the property of Hammerton. Any imitation or adaptation without written consent is strictly prohibited.

ITEM NO.	PART NUMBER	DESCRIPTION	CHB0032-0D-BS-FG-001/QTY.	CHB0032-0D-BS-BG-001/QTY.	CHB0032-0D-BS-SG-001/QTY.	CHB0032-0D-BS-IW-001/QTY.	CHB0032-0D-FB-FG-001/QTY.	CHB0032-0D-FB-BG-001/QTY.	CHB0032-0D-FB-SG-001/QTY.	CHB0032-0D-FB-IW-001/QTY.	CHB0032-0D-MB-FG-001/QTY.	CHB0032-0D-MB-BG-001/QTY.	CHB0032-0D-MB-SG-001/QTY.	CHB0032-0D-MB-IW-001/QTY.	CHB0032-0D-GB-FG-001/QTY.	CHB0032-0D-GB-BG-001/QTY.	CHB0032-0D-GB-SG-001/QTY.	CHB0032-0D-GB-IW-001/QTY.
1	22-013-00062	Threaded Rod Assembly - 2 pc Canopy - Met. Beige Silver	1	1	1	-	-	-	-	-	-	-	-	-	-	-	-	-
1	22-013-00063	Threaded Rod Assembly - 2 pc Canopy - Flat Bronze	-	-	-	1	1	1	-	-	-	-	-	-	-	-	-	-
1	22-013-00070	Threaded Rod Assembly - 2pc Canopy - Matte Black	-	-	-	-	-	-	1	1	1	1	-	-	-	-	-	-
1	22-013-00071	Threaded Rod Assembly - 2 pc Canopy - Gilded Brass	-	-	-	-	-	-	-	-	-	-	1	1	1	1	-	-
2	22-012-00395	ironwood pendant cap with 3- five branch clusters- Met. Beige Silver	1	1	1	1	-	-	-	-	-	-	-	-	-	-	-	-
2	22-012-00981	ironwood pendant cap with 3- five branch clusters- Flat Bronze	-	-	-	1	1	1	-	-	-	-	-	-	-	-	-	-
2	22-012-00982	ironwood pendant cap with 3- five Thistle clusters- Matte Black	-	-	-	-	-	-	1	1	1	1	-	-	-	-	-	-
2	22-012-00983	ironwood pendant cap with 3- five Thistle clusters- Gilded Brass	-	-	-	-	-	-	-	-	-	-	1	1	1	1	-	-
3	22-012-00291	Square Chandelier Chassis - Metallic Beige Silver	1	1	1	1	-	-	-	-	-	-	-	-	-	-	-	-
3	22-012-00290	Square Chandelier Chassis - Flat Bronze	-	-	-	1	1	1	-	-	-	-	-	-	-	-	-	-
3	22-012-00836	Square Chandelier Chassis - Matte Black	-	-	-	-	-	-	1	1	1	1	-	-	-	-	-	-
3	22-012-00835	Square Chandelier Chassis - Gilded Brass	-	-	-	-	-	-	-	-	-	-	1	1	1	1	-	-
4	32-012-04082	8-32 x 5/8" Pan Phillips Screw	16	16	16	16	16	16	16	16	16	16	16	16	16	16	16	16
5	23-001-03076	21.5" x 5.75" granite- frosted	4	-	-	4	-	-	4	-	-	4	-	-	4	-	-	-
5	23-001-03077	21.5" x 5.75" granite- BRONZE	-	4	-	-	4	-	-	4	-	-	4	-	-	4	-	-
5	23-001-03078	21.5" x 5.75" granite- SMOKE	-	-	4	-	-	4	-	-	4	-	-	4	-	-	4	-
5	23-001-03079	21.5" x 5.75" IVORY WISP	-	-	4	-	-	4	-	-	4	-	-	4	-	-	4	-
6	32-003-01224	3/8" OD, 1/4" TALL BRASS KNOB WITH 8-32 TAPPED HOLE -FINISHED NICKEL PLATED	16	16	16	16	-	-	-	-	-	-	-	-	-	-	-	-
6	32-003-01225	3/8" OD, 1/4" TALL BRASS KNOB WITH 8-32 TAPPED HOLE -FINISHED BRUSHED BRONZE	-	-	-	16	16	16	16	-	-	-	-	-	-	-	-	-
6	32-003-01350	3/8" OD, 1/4" TALL BRASS KNOB WITH 8-32 TAPPED HOLE - FINISHED MATTE BLACK	-	-	-	-	-	-	16	16	16	16	-	-	-	-	-	-
6	32-003-01229	3/8" OD, 1/4" TALL BRASS KNOB WITH 8-32 TAPPED HOLE -UNFINISHED RAW BRASS	-	-	-	-	-	-	-	-	-	-	16	16	16	16	-	-
7	32-012-11023	silicon washer for studio glass	32	32	32	32	32	32	32	32	32	32	32	32	32	32	32	32
8	EL215 A19	1 1/2" L, 1/8 IPS	1	1	1	1	1	1	1	1	1	1	1	1	1	1	1	1
9	EL209 A10	3/8" L, 1/8 IPS	1	1	1	1	1	1	1	1	1	1	1	1	1	1	1	1
10	33-003-02019	Plated EL303 (B80) 5/8" long 1/8" ip coupler- Brushed nickel	1	1	1	1	1	1	1	1	1	1	1	1	1	1	1	1
11	EL304	4 way med base phenolic socket, Am Derose D611	1	1	1	1	1	1	1	1	1	1	1	1	1	1	1	1
12	32-014-02003	22.75" Square Frosted Acrylic Diffuser	1	1	1	1	1	1	1	1	1	1	1	1	1	1	1	1
13	22-008-00002	Finished Bent Steel Tab for Acrylic Support- Met. Beige Silver	4	4	4	4	-	-	4	4	4	-	-	-	-	-	-	-
13	22-008-00003	Finished Bent Steel Tab for Acrylic Support- Flat Bronze	-	-	-	4	4	4	-	-	-	-	-	-	-	-	-	-
13	22-008-00004	Finished Bent Steel Tab for Acrylic Support- Matte Black	-	-	-	-	-	-	4	4	4	4	-	-	-	-	-	-
13	22-008-00005	Finished Bent Steel Tab for Acrylic Support- Gilded Brass	-	-	-	-	-	-	-	-	-	-	4	4	4	4	-	-
14	22-012-00396	Ironwood Chandelier Bottom Cap - METALLIC BEIGE SILVER	1	1	1	1	-	-	-	-	-	-	-	-	-	-	-	-
14	22-012-00993	Ironwood Chandelier Bottom Cap - Flat Bronze	-	-	-	1	1	1	-	-	-	-	-	-	-	-	-	-
14	22-012-00994	Ironwood Chandelier Bottom Cap - Matte Black	-	-	-	-	-	-	1	1	1	1	-	-	-	-	-	-
14	22-012-00995	Ironwood Chandelier Bottom Cap - Gilded Brass	-	-	-	-	-	-	-	-	-	-	1	1	1	1	-	-
15	32-012-12026	EL323 5-8OD x 3-8H Cap 1-8 IP Nickel Plated	1	1	1	1	-	-	-	-	-	-	-	-	-	-	-	-
15	32-012-12029	EL323 5-8OD x 3-8H Cap 1-8 IP Flat Bronze	-	-	-	1	1	1	-	-	-	-	-	-	-	-	-	-
15	32-012-12042	EL323 5-8OD x 3-8H Cap 1-8 IP - Matte Black	-	-	-	-	-	-	1	1	1	1	-	-	-	-	-	-
15	32-012-12051	EL323 5-8OD x 3-8H Cap 1-8 IP - Gilded Brass	-	-	-	-	-	-	-	-	-	-	1	1	1	1	-	-
16	EL303	EL303 (B80) 5/8" long 1/8" ip coupler- unfinished	1	1	1	1	1	1	1	1	1	1	1	1	1	1	1	1

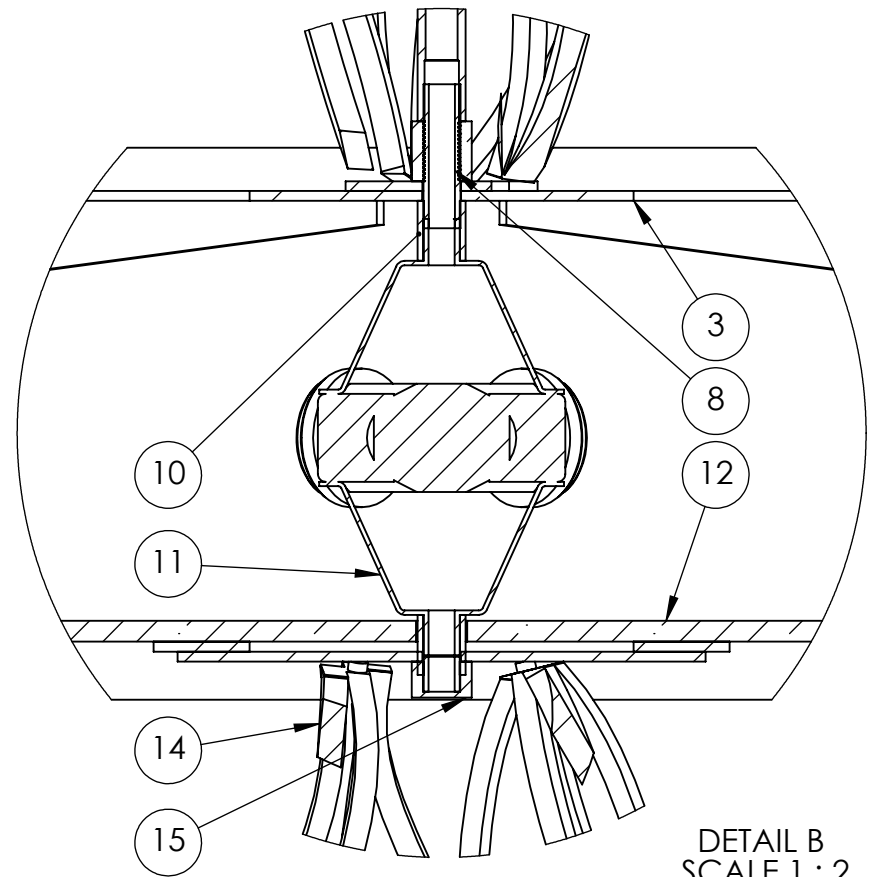


ITEM NO.	PART NUMBER	DESCRIPTION	Material Options															
			CHB0032-0D-GM-BG-001	CHB0032-0D-GM-FG-001	CHB0032-0D-GM-IW-001	CHB0032-0D-GM-SG-001	CHB0032-0D-RB-BG-001	CHB0032-0D-RB-FG-001	CHB0032-0D-RB-IW-001	CHB0032-0D-RB-SG-001	CHB0032-0D-SN-BG-001	CHB0032-0D-SN-FG-001	CHB0032-0D-SN-IW-001	CHB0032-0D-SN-SG-001	CHB0032-0D-HB-BG-001	CHB0032-0D-HB-FG-001	CHB0032-0D-HB-IW-001	CHB0032-0D-HB-SG-001
1	22-013-00064	Threaded Rod Assembly - 2 pc Canopy - Gunmetal	1	1	1	1	-	-	-	-	-	-	-	-	-	-	-	
1	22-013-00065	Threaded Rod Assembly - 2 pc Canopy - Oil Rubbed Bronze	-	-	-	-	1	1	1	1	-	-	-	-	-	-	-	
1	22-013-00066	Threaded Rod Assembly - 2 pc Canopy - Satin Nickel	-	-	-	-	-	-	-	1	1	1	1	-	-	-	-	
1	22-013-00769	Threaded Rod Assembly - 2 pc Canopy - Heritage Brass	-	-	-	-	-	-	-	-	-	-	-	1	1	1	1	
2	22-012-00276	ironwood pendant cap with 3- five branch clusters- gunmetal	1	1	1	1	-	-	-	-	-	-	-	-	-	-	-	
2	22-012-00278	ironwood pendant cap with 3- five branch clusters- oil rubbed bronze	-	-	-	-	1	1	1	1	-	-	-	-	-	-	-	
2	22-012-00277	ironwood pendant cap with 3- five branch clusters- satin nickel	-	-	-	-	-	-	-	1	1	1	1	-	-	-	-	
2	22-012-01294	Ironwood pendant cap-Heritage Brass	-	-	-	-	-	-	-	-	-	-	-	1	1	1	1	
3	22-012-00294	Square Chandelier Chassis - Gunmetal	1	1	1	1	-	-	-	-	-	-	-	-	-	-	-	
3	22-012-00293	Square Chandelier Chassis - Oil Rubbed Bronze	-	-	-	-	1	1	1	1	-	-	-	-	-	-	-	
3	22-012-00292	Square Chandelier Chassis - Satin Nickel	-	-	-	-	-	-	-	1	1	1	1	-	-	-	-	
3	22-012-01293	Studio glass square chandelier chassis- Heritage Brass	-	-	-	-	-	-	-	-	-	-	-	1	1	1	1	
4	32-012-04082	8-32 x 5/8" Pan Phillips Screw	16	16	16	16	16	16	16	16	16	16	16	16	16	16	16	
5	23-001-03077	21.5" x 5.75" granite- BRONZE	4	-	-	-	4	-	-	-	4	-	-	4	-	-	-	
5	23-001-03076	21.5" x 5.75" granite- frosted	-	4	-	-	-	4	-	-	-	4	-	-	4	-	-	
5	23-001-03079	21.5" x 5.75" IVORY WISP	-	-	4	-	-	-	4	-	-	-	4	-	-	4	-	
5	23-001-03078	21.5" x 5.75" granite- SMOKE	-	-	-	4	-	-	-	4	-	-	-	4	-	-	4	
6	32-003-01222	3/8" OD, 1/4" TALL BRASS KNOB WITH 8-32 TAPPED HOLE -FINISHED GUNMETAL	16	16	16	16	-	-	-	-	-	-	-	-	-	-	-	
6	32-003-01226	3/8" OD, 1/4" TALL BRASS KNOB WITH 8-32 TAPPED HOLE -FINISHED OIL RUBBED BRONZE	-	-	-	-	16	16	16	16	-	-	-	-	-	-	-	
6	32-003-01224	3/8" OD, 1/4" TALL BRASS KNOB WITH 8-32 TAPPED HOLE -FINISHED NICKEL PLATED	-	-	-	-	-	-	-	16	16	16	16	-	-	-	-	
6	32-003-01229	3/8" OD, 1/4" TALL BRASS KNOB WITH 8-32 TAPPED HOLE -UNFINISHED RAW BRASS	-	-	-	-	-	-	-	-	-	-	16	16	16	16	-	
7	32-012-11023	silicon washer for studio glass	32	32	32	32	32	32	32	32	32	32	32	32	32	32	32	
8	EL215 A19	1 1/2" L, 1/8 IPS	1	1	1	1	1	1	1	1	1	1	1	1	1	1	1	
9	EL209 A10	3/8" L, 1/8 IPS	1	1	1	1	1	1	1	1	1	1	1	1	1	1	1	
10	33-003-02019	Plated EL303 (B80) 5/8" long 1/8" ip coupler- Brushed nickel	1	1	1	1	1	1	1	1	1	1	1	1	1	1	1	
11	EL304	4 way med base phenolic socket, Am Derosé D611	1	1	1	1	1	1	1	1	1	1	1	1	1	1	1	
12	32-014-02003	22.75" Square Frosted Acrylic Diffuser	1	1	1	1	1	1	1	1	1	1	1	1	1	1	1	
13	22-008-00006	Finished Bent Steel Tab for Acrylic Support- Gunmetal	4	4	4	4	-	-	-	-	-	-	-	-	-	-	-	
13	22-008-00007	Finished Bent Steel Tab for Acrylic Support- Oil Rubbed Bronze	-	-	-	-	4	4	4	4	-	-	-	-	-	-	-	
13	22-008-00008	Finished Bent Steel Tab for Acrylic Support- Satin Nickel	-	-	-	-	-	-	-	4	4	4	4	-	-	-	-	
13	22-008-00009	Finished Bent steel tab for Acrylic support - Heritage Brass	-	-	-	-	-	-	-	-	-	-	-	4	4	4	4	
14	22-012-00301	Ironwood Chandelier Bottom Cap - Gunmetal	1	1	1	1	-	-	-	-	-	-	-	-	-	-	-	
14	22-012-00302	Ironwood Chandelier Bottom Cap - Oil Rubbed Bronze	-	-	-	-	1	1	1	1	-	-	-	-	-	-	-	
14	22-012-00300	Ironwood Chandelier Bottom Cap - Satin Nickel	-	-	-	-	-	-	-	1	1	1	1	-	-	-	-	
14	22-012-01295	Ironwood chandelier bottom cap - Heritage Brass	-	-	-	-	-	-	-	-	-	-	-	1	1	1	1	
15	32-012-12028	EL323 5-8OD x 3-8H Cap 1-8 IP Gunmetal	1	1	1	1	-	-	-	-	-	-	-	-	-	-	-	
15	32-012-12027	EL323 5-8OD x 3-8H Cap 1-8 IP Oil Rubbed Bronze	-	-	-	-	1	1	1	1	-	-	-	-	-	-	-	
15	32-012-12026	EL323 5-8OD x 3-8H Cap 1-8 IP Nickel Plated	-	-	-	-	-	-	-	1	1	1	1	-	-	-	-	
15	32-012-13021	EL323 5-8OD x 3-8H Cap 1-8 IP Heritage Brass	-	-	-	-	-	-	-	-	-	-	-	1	1	1	1	
16	EL303	EL303 (B80) 5/8" long 1/8" ip coupler- unfinished	1	1	1	1	1	1	1	1	1	1	1	1	1	1	1	





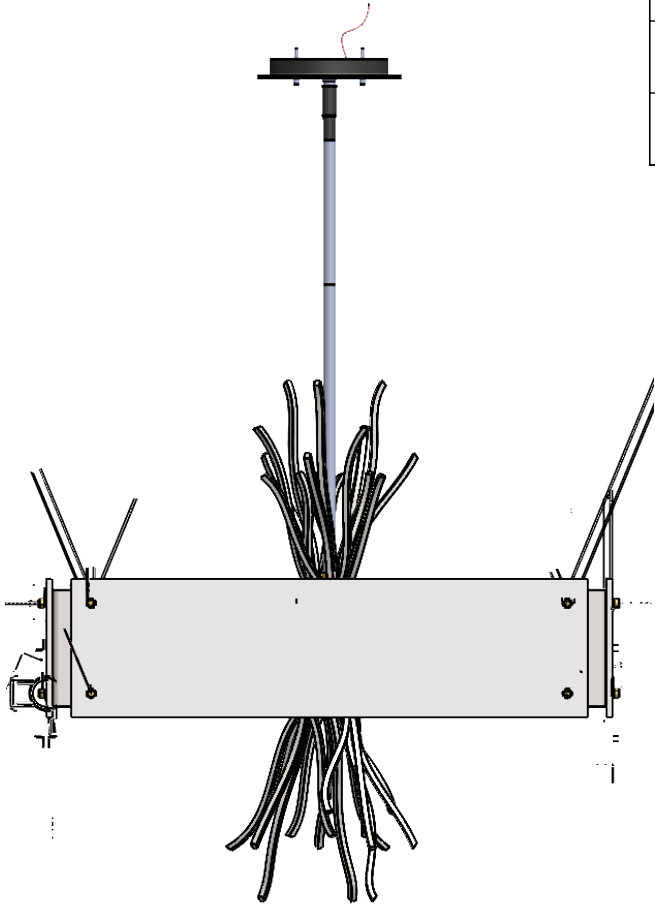
SECTION A-A



DETAIL B
SCALE 1 : 2

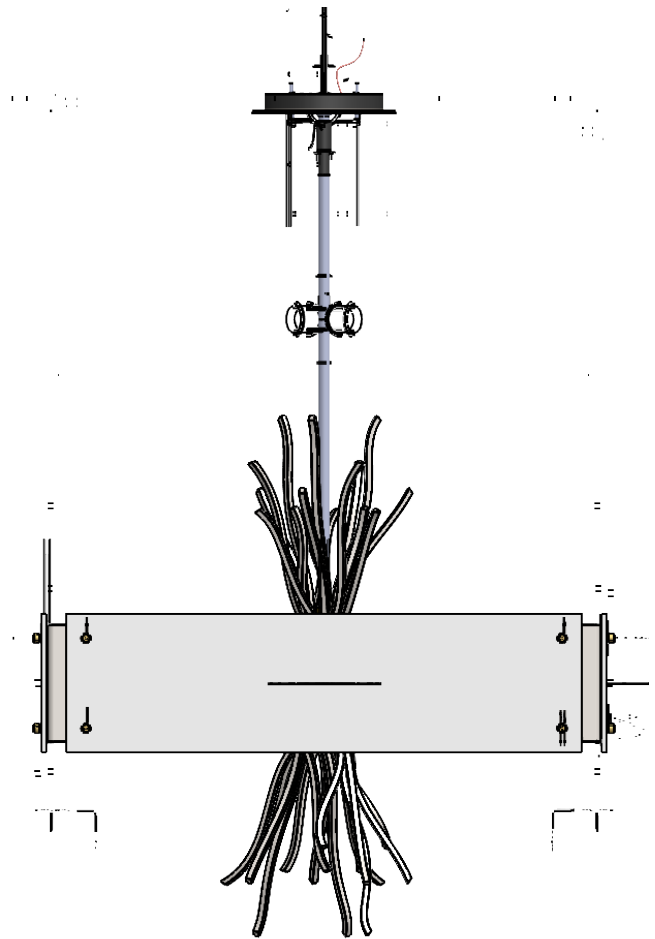
HARDWARE PACKET CHECKLIST			
HARDWARE PACK: Y			
ITEM	QTY	Finish Initials	FINISH QC
HARDWARE PACKET MOUNTING INSTRUCTIONS	1		
FIXTURE ASSEMBLY INSTRUCTIONS: 41-001-00047	1		
8-32X1-1/2" PAN HEAD SCREWS	2		
8/32X-1.5" ALL THREAD	2		
8/32X-2" ALL THREAD	2		
FINISHED CYLINDER KNOBS	2		
WIRE NUTS	3		
UNIVERSAL MOUNTING PLATE	1		

PACK CHECKLIST			
ITEM	QTY/ FIXTURE	PACK	PACK QC
TEXTURED GLASS	4		
THREADED ROD ASSEMBLY	1		
LIGHT BODY	1		
HARDWARE PACK	1		
CANOPY	1		



QC CHECKLIST

ITEM	Finish Initials	QC Initials
FINISH MATCHES TRAVELER		
GLASS MATCHES TRAVELER		
ELECTRICAL MATCHES TRAVELER		
EXTRA ROD/WIRE ACCOMMODATED		
FIXTURE ASSEMBLY INSTRUCTIONS INCLUDED		
HARDWARE PACKET & INSTRUCTIONS INCLUDED		
THREADED ROD PACKET & INSTRUCTIONS INCLUDED		
UL HOLOGRAPHIC STICKER		
RELAMPING STICKER		
UL MANUFACTURING STICKER		
FIXTURE LIGHTS UP		
MAKE SURE ACRYLIC SUPPORT TABS ARE INCLUDED		
PERFORM HIPOT TEST		



REDLINES

WO: _____ DATE: _____

FAB DISCREPANCIES (HOLES IN WRONG PLACE, WRONG TAP, NO PART CLEARANCE ETC.)

PART #	DISCREPENCY

PART DISCREPANCIES (WRONG IP OR ALLTHREAD LENGTH, WRONG PART ALL TOGETHER ETC.)

INCORRECT PART	CORRECT PART

HARDWARE PACK AND PACK LIST DISCREPANCIES

SPECIALTY TOOLS REQUIRED:

FINISH ASSEMBLY NOTES: (NOTES TO BE ADDED TO DRAWING FOR FUTURE ASSEMBLY SUCH AS ORDER OF OPERATIONS)

FINISH ASSEMBLY PROBLEMS: (PROBLEMS ASSOCIATED WITH WIRING, ASSEMBLY ETC)

PACK PAGE REDLINES: (PROBLEMS ASSOCIATED WITH THE DIRECTIONS FOR PACKAGING THE PRODUCT)