

# GAMA SONIC®

## SOLAR LIGHTING



### GRAND PRAIRIE BULB SOLAR LIGHT - WALL/PIER/3" FITTER MOUNTS"

Part #: 115B50033

 Please read the instruction manual carefully to obtain the best results from your purchase.

Thank you for your purchase! GAMA SONIC® solar charged lights are brighter and last all night with a typical solar charge. Unique design, superior light output and numerous installation options confirm the outstanding value of our product. GAMA SONIC® has been recognized as a worldwide leader in the lighting industry for over 20 years.

**Technical Assistance/Warranty Claims/Replacement Parts**  
**Toll Free Number: +1-800-835-4113 (only within the US) or [www.gamasonic.com](http://www.gamasonic.com)**



**Visit our website or download the latest version of your instruction manual:**  
**[www.gamasonic.com](http://www.gamasonic.com)**

### Gama Sonic's Bulb Technology

Gama Sonic's patented Bulb technology gives your solar lamp the look and feel of a traditional incandescent lamp. This helps to distribute light further than traditional solar lamps.

### Solar Lamp Location

For optimum light duration throughout the night, it is very important to mount your solar lamp in a spot where it will receive the maximum amount of direct sunlight throughout the day.

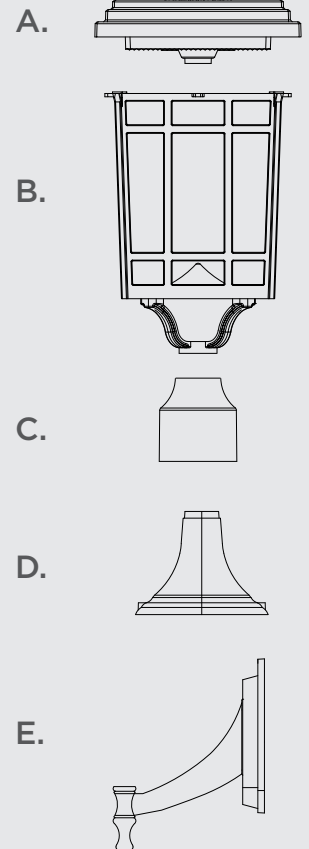
### What's In the Box

- A = Top
- B = Fixture
- C = 3" Fitter
- D = Pier Base
- E = Wall Mount

Bulb



Hardware



For best results, the solar light must be charged in the "ON" (High or Low) position for at least 2 days of full direct sunlight.

## Assembly Instructions

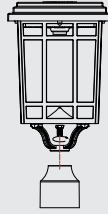
**NOTE:** The following steps are for reference only. If unsure how to install with your specific surface, please consult a professional.

1. Remove the top (A) by unscrewing the two screws on the fixture (B).
2. Install the GS Solar LED Bulb into the top (A) by twisting it clockwise. Be sure to hold the bulb by its base.
3. Follow the operation Instructions to turn the lamp on using the operation switch located on the underside of the top (A).
4. Attach the top (A) to the fixture (B) and secure with the two screws.

### 3" Fitter Mount

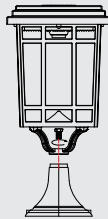
**NOTE:** If you are replacing an existing gas/electric post light, you must consult a certified technician to disconnect them before installation.

1. The 3" Fitter (C) comes preinstalled on the fixture (B).
2. Place part (C) on your existing 3" pole and secure with the provided set screws.  
Be sure to not overtighten the screws.



### Pier (Flat) Mount

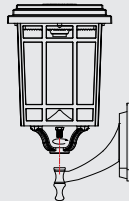
1. Using the pier mount (D) as a template, mark and drill two holes in the desired mounting location.
2. Place the anchors in the holes and secure the mount (D) to the surface using the provided screws.
3. Unscrew the 3" fitter (C) from the fixture (B).
4. Using the bolt that attached the 3" fitter, attach the fixture (B) to the mount (D) by twisting the fixture clockwise.



### Wall Mount

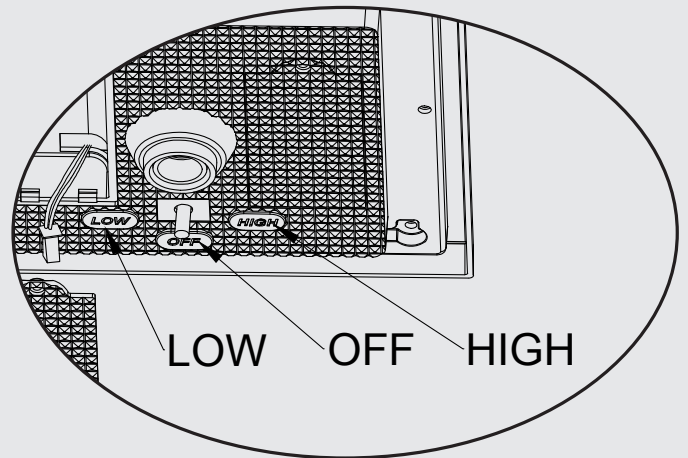
**Note:** Installing the light on a wall may limit the solar panel for sun exposure. Make sure the lamp is mounted so direct sun exposure is available.

1. Remove the wall mount bracket from the wall mount (E) by removing the two screw caps.
2. Secure the wall mount bracket to the wall using the supplied screws/anchors.
3. Unscrew the 3" fitter (C) from the fixture (B).
4. Using the bolt that attached the 3" fitter, attach the fixture (B) to the wall mount (E) by twisting the fixture clockwise.
5. Attach the lamp assembly to the wall mount bracket and secure using the screw caps removed earlier.



## Operation Instructions

1. Install the GS Solar LED Bulb in the top (A).
2. Locate the operation switch on the underside of the top (A).
3. Turn the operation switch to the Low or High position according to your preferences:
  - a. Low = Softer light and longer duration
  - b. High = Brighter light output
4. The solar Lamp will automatically operate at dusk.



## Replacement Parts

Replacement Batteries and Bulbs are available at [www.gamasonic.com](http://www.gamasonic.com) or via our Toll Free number: +1-800-835-4113.

Your Lamp can use the following bulbs:

A60WW20W – included bulb with Warm White LEDs (2700K)

A60BW20W – bulb with Bright White LEDs (6000K)

Your lamp uses one of the following battery and can accommodate a second optional battery:

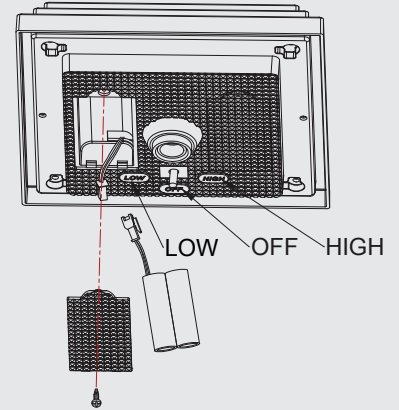
**GS32V30**



## After several years of use, the battery may need replacing.

This lamp has a second battery compartment that can accommodate an optional battery. A second battery can be added to increase duration only if your lamp receives more than 4 hours of direct sunlight each day. Follow the below instructions to add a second battery.

1. Remove the two screws securing the top (A) and remove the top (A) from the fixture (B).
2. Move the operation switch to the OFF position and remove the bulb.
3. Remove the screw and battery cover.
4. Remove and unclip the old battery.
5. Make sure the new battery is a high quality rechargeable Li-Ion 3.2V/3000mAh battery with matching connector (Part# GS32V30).
6. Clip in the new battery and install it in the compartment.
7. Replace the battery cover and secure it with the screw.
8. Repeat steps 3-7 if using a second battery.
9. Reverse steps 1-2 to reassemble your lamp.



**Batteries are available for purchase at [www.gamasonic.com](http://www.gamasonic.com)**

## MAINTENANCE

Clean the solar panels regularly with a damp towel to guarantee optimum performance. Do not use any type of solvent for cleaning and be careful not to put too much pressure on the solar panels while cleaning.

## TROUBLESHOOTING

If your solar light does not come on as expected despite observance of all the instructions, please try the following steps:

1. Make sure that the solar lamp is not being affected by any other light source.
2. Ensure the solar lamp is not positioned in the shade during the day.
3. Check that the batteries are installed correctly.

NOTE: The performance of the solar lamp will vary with the time of year. It will last longer when it has had a full day in the sun rather than a day in overcast weather.



**WINTERTIME TIPS:** For optimal performance, be sure to remove any snow or debris accumulation from solar panel(s). A solar panel free of debris will charge the batteries much more efficiently.



**WARNING:** Please keep out of reach of children. Do not dispose of Li-Ion battery in the regular trash, municipal waste stream or by fire as batteries may leak or explode. Do not open, short circuit, or mutilate batteries as injury may occur. Preserve our environment by recycling Li-Ion batteries or disposing of them in accordance with local, state and federal regulations. Do not mix old and new batteries.