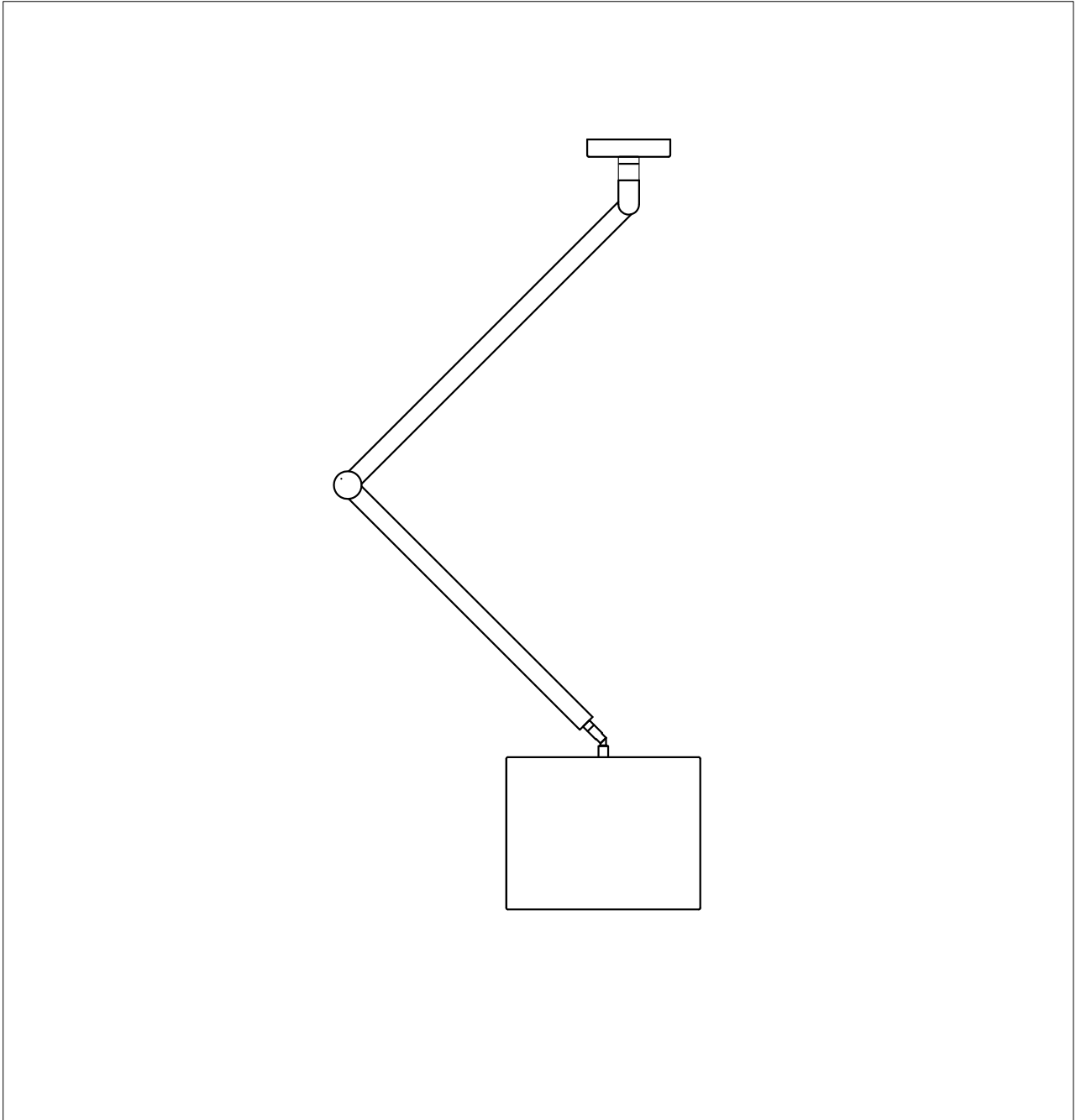




PRODUCT NAME: HOTEL
ITEM NUMBER: 60135WAPC

Please consult your electrician for hanging fixture and wiring.

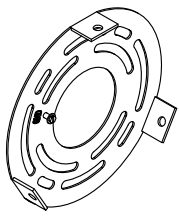


E26 1X16W

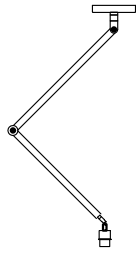
PRODUCTS ARE NOT INTENDED
FOR COMMERCIAL USE.

MADE IN CHINA
Page 1 of (2)

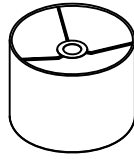
IMPORTANT: Turn off the power at the main fuse or circuit breaker box before starting installation



Bracket (A)



Body (B)



Shade (C)

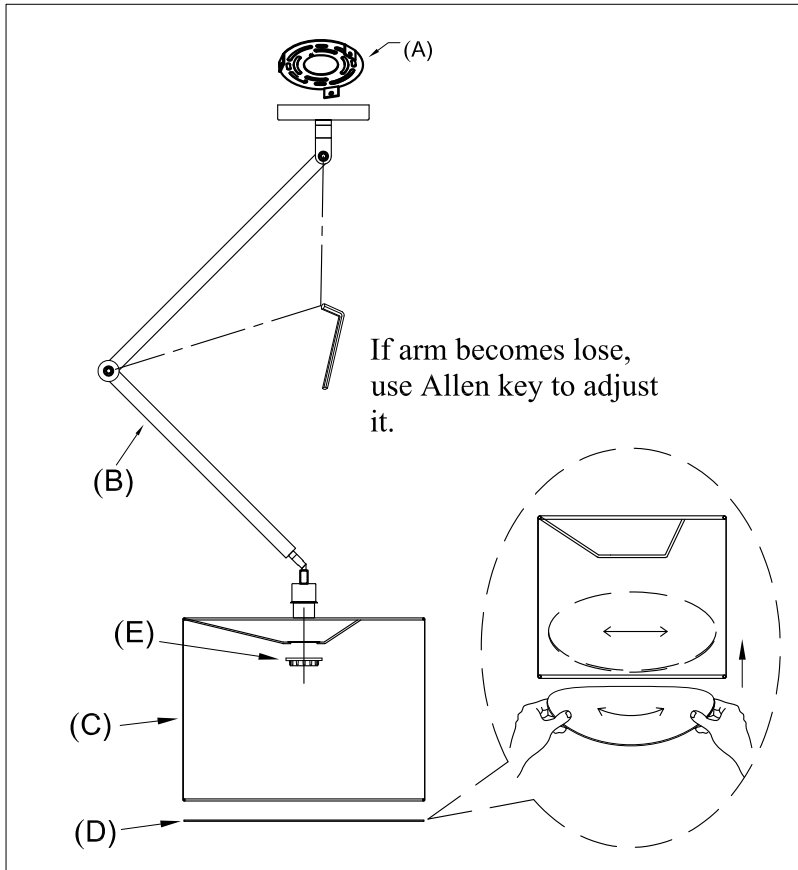


Acrylic diffuser (D)

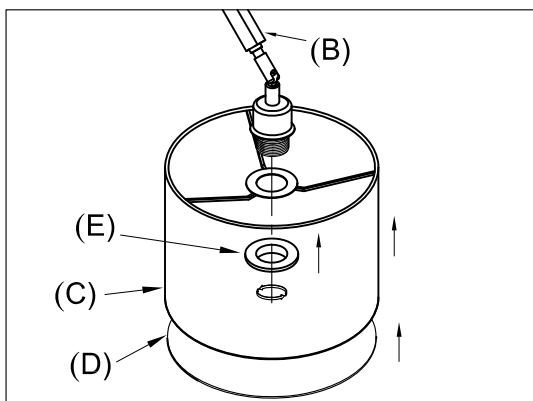


Socket ring (E)

Locate all hardware & components before discarding packaging



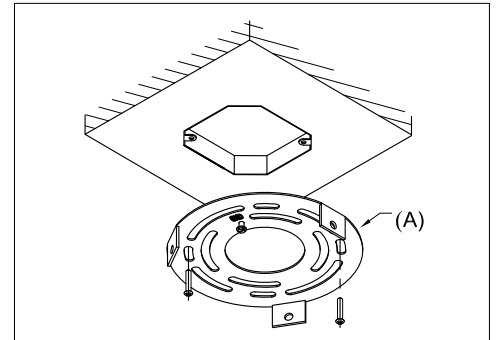
Remove the socket ring (E) from fixture (B). Attach shade (C) and secure using socket ring (E). Insert acrylic diffuser (D) through the bottom of the shade.



Cleaning & Care:

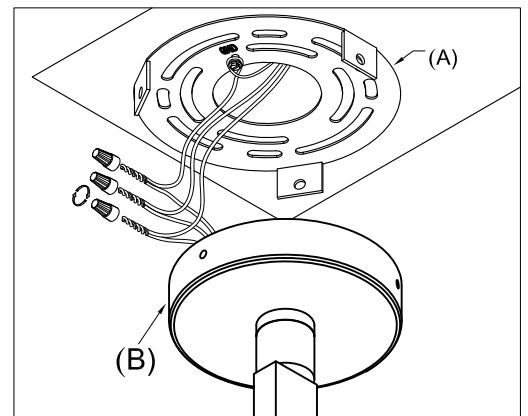
Clean with soft cloth and a mild detergent.
Do not use abrasive cleaner.

1.)



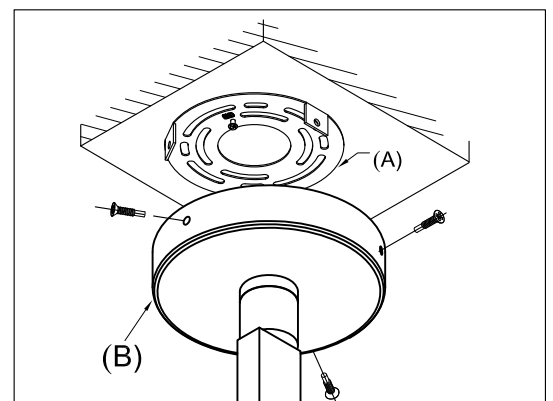
Step 1: Remove mounting bracket (A) from fixture and install to electrical box.

2.)



Step 2: Wire fixture to wire in outlet box.
Copper wire is for ground

3.)



Step 3: Attach the body (B) to the mounting bracket (A) using three screws provided.