

Fixture Type: _____

Catalog Number: _____

Project: _____

Location: _____

Dot Ceiling Mount

Model & Size	Color Temp & CRI	Watt	LED Lumens	Delivered Lumens	Finish
FM-W57806 6"	3000K 90	10.4W	791	535	BK Black
	3500K 90	10.4W	859	581	SS Stainless Steel

Example: **FM-W57806-30-BK**

- For 277V special order, add an "F" before the finish: FM-W57812F-35-SS

DESCRIPTION

Optimal diffuser amplifies the brightness on this durable waterproof outdoor flush mount.

FEATURES

- Lightweight, injection-molded, UV-rated acrylic diffuser enhances brightness, safety lock prevents slippage
- 277V option available for 9", 12" & 15" sizes (special order)
- ACLED driverless technology
- 5 year warranty

SPECIFICATIONS

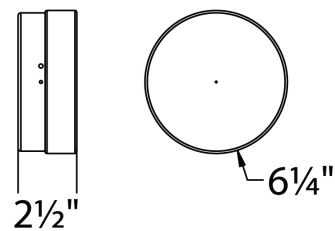
Color Temp:	3500K, 3000K
Input:	120 VAC, 50/60Hz
CRI:	90
Dimming:	ELV: 100 - 10%
Rated Life:	50000 Hours
Mounting:	Heavy gauge retention clips support trim firmly. Safety cabling standard., Can be mounted on ceiling or wall in all orientations
Standards:	ETL, cETL, IP65, Title 24 JA8-2016 Compliant, Energy Star 2.0 Wet Location Listed
Construction:	Weather-resistant 316 stainless steel body with thick acrylic shade



FINISHES



LINE DRAWING



FM-W57806

Fixture Type: _____

Catalog Number: _____

Project: _____

Location: _____

Dot Ceiling Mount

Model & Size	Color Temp & CRI	Watt	LED Lumens	Delivered Lumens	Finish
FM-W57809 9"	3000K 90	16.5W	1542	939	BK Black
	3500K 90	16.5W	1674	1019	SS Stainless Steel

Example: **FM-W57809-30-BK**

- For 277V special order, add an "F" before the finish: FM-W57812F-35-SS

DESCRIPTION

Optimal diffuser amplifies the brightness on this durable waterproof outdoor flush mount.

FEATURES

- Lightweight, injection-molded, UV-rated acrylic diffuser enhances brightness, safety lock prevents slippage
- 277V option available for 9", 12" & 15" sizes (special order)
- ACLED driverless technology
- 5 year warranty

SPECIFICATIONS

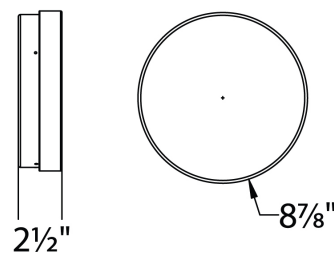
Color Temp:	3500K, 3000K
Input:	120 VAC, 50/60Hz
CRI:	90
Dimming:	ELV: 100 - 10%
Rated Life:	50000 Hours
Mounting:	Heavy gauge retention clips support trim firmly. Safety cabling standard., Can be mounted on ceiling or wall in all orientations
Standards:	ETL, cETL, IP65, Title 24 JA8-2016 Compliant, Energy Star 2.0 Wet Location Listed
Construction:	Weather-resistant 316 stainless steel body with thick acrylic shade



FINISHES



LINE DRAWING



FM-W57809

Fixture Type: _____

Catalog Number: _____

Project: _____

Location: _____

Dot Ceiling Mount

Model & Size	Color Temp & CRI	Watt	LED Lumens	Delivered Lumens	Finish
FM-W57812 12"	3000K 90	26.2W	2315	1376	BK Black
	3500K 90	26.2W	2513	1499	SS Stainless Steel

Example: **FM-W57812-30-BK**

- For 277V special order, add an "F" before the finish: FM-W57812F-35-SS

DESCRIPTION

Optimal diffuser amplifies the brightness on this durable waterproof outdoor flush mount.

FEATURES

- Lightweight, injection-molded, UV-rated acrylic diffuser enhances brightness, safety lock prevents slippage
- 277V option available for 9", 12" & 15" sizes (special order)
- ACLED driverless technology
- 5 year warranty

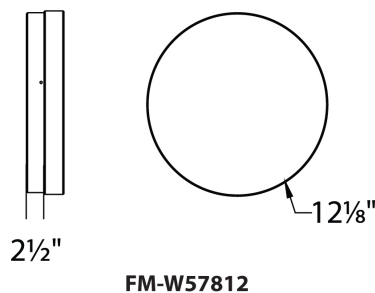
SPECIFICATIONS

Color Temp:	3500K, 3000K
Input:	120 VAC, 50/60Hz
CRI:	90
Dimming:	ELV: 100 - 10%
Rated Life:	50000 Hours
Mounting:	Heavy gauge retention clips support trim firmly. Safety cabling standard., Can be mounted on ceiling or wall in all orientations
Standards:	ETL, cETL, IP65, Title 24 JA8-2016 Compliant, Energy Star 2.0 Wet Location Listed
Construction:	Weather-resistant 316 stainless steel body with thick acrylic shade

FINISHES



LINE DRAWING



FM-W57812

Fixture Type: _____

Catalog Number: _____

Project: _____

Location: _____

Dot Ceiling Mount

Model & Size	Color Temp & CRI	Watt	LED Lumens	Delivered Lumens	Finish
FM-W57815 15"	3000K 90	31W	2460	1672	BK Black
	3500K 90	31W	2513	1568	SS Stainless Steel

Example: **FM-W57815-30-BK**

- For 277V special order, add an "F" before the finish: FM-W57812F-35-SS

DESCRIPTION

Optimal diffuser amplifies the brightness on this durable waterproof outdoor flush mount.

FEATURES

- Lightweight, injection-molded, UV-rated acrylic diffuser enhances brightness, safety lock prevents slippage
- 277V option available for 9", 12" & 15" sizes (special order)
- ACLED driverless technology
- 5 year warranty

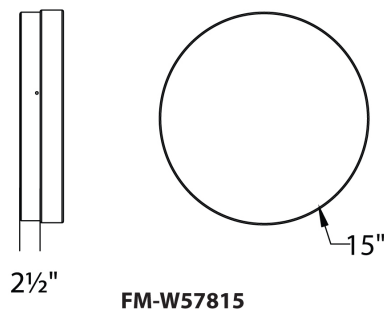
SPECIFICATIONS

Color Temp:	3500K, 3000K
Input:	120 VAC, 50/60Hz
CRI:	90
Dimming:	ELV: 100 - 10%
Rated Life:	50000 Hours
Mounting:	Heavy gauge retention clips support trim firmly. Safety cabling standard., Can be mounted on ceiling or wall in all orientations
Standards:	ETL, cETL, IP65, Title 24 JA8-2016 Compliant, Energy Star 2.0 Wet Location Listed
Construction:	Weather-resistant 316 stainless steel body with thick acrylic shade

FINISHES



LINE DRAWING



FM-W57815